



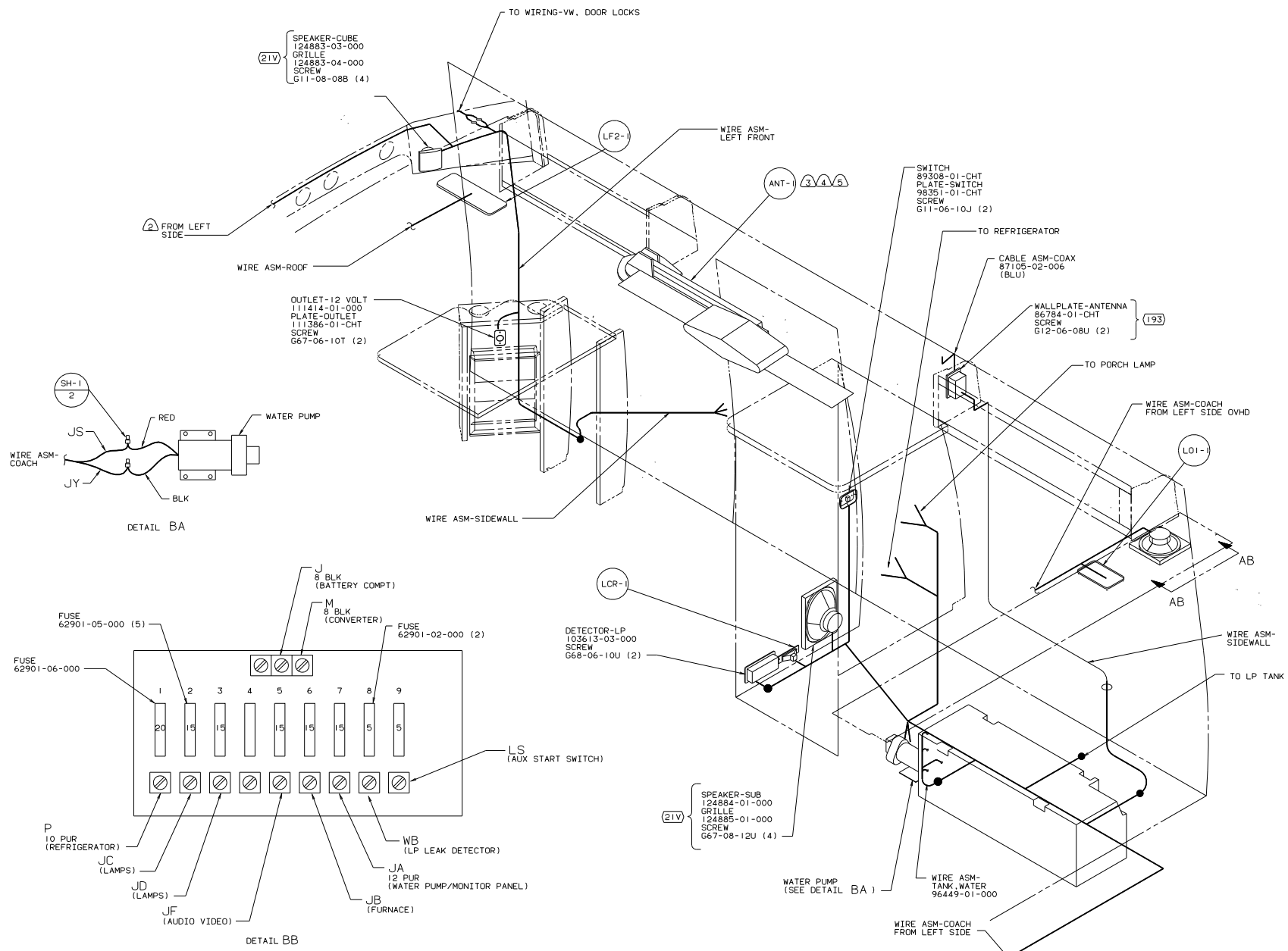
DANGER

Danger of electrical shock, burns or death. Always remove all power sources before attempting any repair, service or diagnostic work. Power can be present from shore power, generator, inverter or battery. All power sources must be disabled and secured before performing any service.



CAUTION

If you lack the skills, tools or equipment to perform diagnostic or repair work leave such work to an authorized Winnebago Industries dealer or other qualified shop.



(21V) SPEAKER-CUBE
124883-03-000
GRILLE
124885-04-000
SCREW
G11-08-08B (4)

SWITCH
89308-01-CHT
PLATE-SWITCH
98351-01-CHT
SCREW
G11-06-10J (2)

OUTLET-12 VOLT
1114-01-000
PLATE-OUTLET
111386-01-CHT
SCREW
G67-06-10T (2)

CABLE ASM-COAX
87105-02-006
(BLU)

WALLPLATE-ANTENNA
86784-01-CHT
SCREW
G12-06-08U (2) (193)

DETAIL BA

DETAIL BB

FOR ELECTRICAL
TORQUE
SPECIFICATIONS
SEE DWG NO.
128783-01-000

FOR
ELECTRICAL
CALLOUTS
SEE DWG NO.
121339-01-000

- (265) CODES/STANDARDS-CSA/CMVSS
- (21V) SOUND SYSTEM-DELUXE
- (181) CODES STANDARDS/USA
- (193) TV ANTENNA
- (181) (265) 02 222HD

- (5) ADD RUBBER BUMPER TO ROOF UNDER EACH END OF ANTENNA IN DOWN POSITION WHICH MAY COME IN CONTACT WITH ROOF.
- (4) SEE DRAWING 76319-01-000 FOR ADDITIONAL INFORMATION.
- (3) LOCATE TO RETAIN CABLE BUT NOT RESTRICT TRAVEL OF ANTENNA.
- (2) SEE WIRING INSTL-FRONT END FOR ADDITIONAL INFORMATION.
- (1) WIRE ROUTED IN SIDEWALL.