



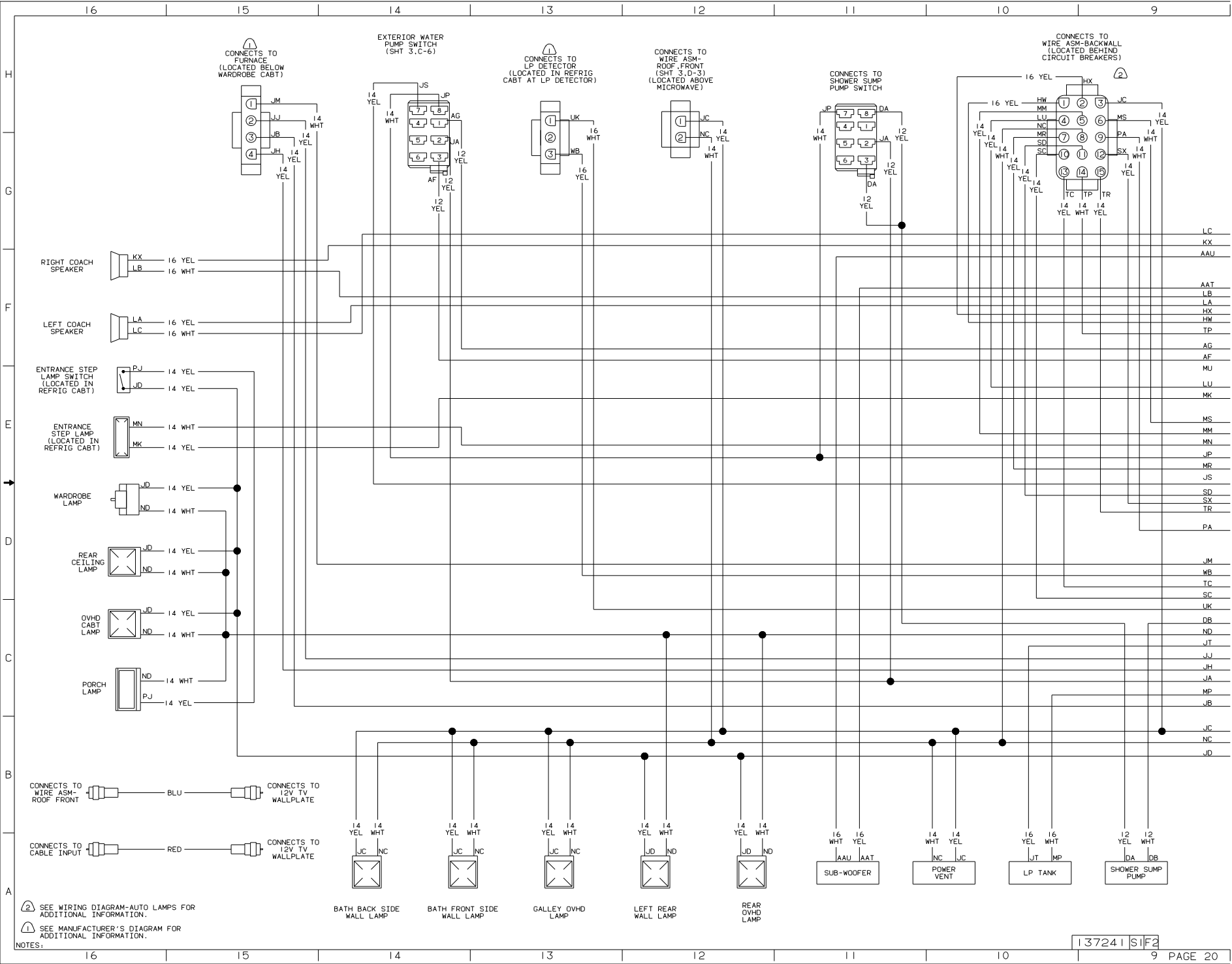
DANGER

Danger of electrical shock, burns or death. Always remove all power sources before attempting any repair, service or diagnostic work. Power can be present from shore power, generator, inverter or battery. All power sources must be disabled and secured before performing any service.



CAUTION

If you lack the skills, tools or equipment to perform diagnostic or repair work leave such work to an authorized Winnebago Industries dealer or other qualified shop.



CONNECTS TO FURNACE (LOCATED BELOW WARDROBE CABT)

EXTERIOR WATER PUMP SWITCH (SHT 3,C-6)

CONNECTS TO LP DETECTOR (LOCATED IN REFRIG CABT AT LP DETECTOR)

CONNECTS TO WIRE ASM-ROOF FRONT (SHT 3,D-3) (LOCATED ABOVE MICROWAVE)

CONNECTS TO SHOWER SUMP PUMP SWITCH

CONNECTS TO WIRE ASM-BACKWALL (LOCATED BEHIND CIRCUIT BREAKERS)

RIGHT COACH SPEAKER
KX 16 YEL
LB 16 WHT

LEFT COACH SPEAKER
LA 16 YEL
LC 16 WHT

ENTRANCE STEP LAMP SWITCH (LOCATED IN REFRIG CABT)
PJ 14 YEL
JD 14 YEL

ENTRANCE STEP LAMP (LOCATED IN REFRIG CABT)
MN 14 WHT
MK 14 YEL

WARDROBE LAMP
JD 14 YEL
ND 14 WHT

REAR CEILING LAMP
JD 14 YEL
ND 14 WHT

OVHD CABT LAMP
JD 14 YEL
ND 14 WHT

PORCH LAMP
ND 14 WHT
PJ 14 YEL

CONNECTS TO WIRE ASM-ROOF FRONT
CONNECTS TO 12V TV WALLPLATE

CONNECTS TO CABLE INPUT
CONNECTS TO 12V TV WALLPLATE

BATH BACK SIDE WALL LAMP

BATH FRONT SIDE WALL LAMP

GALLEY OVHD LAMP

LEFT REAR WALL LAMP

REAR OVHD LAMP

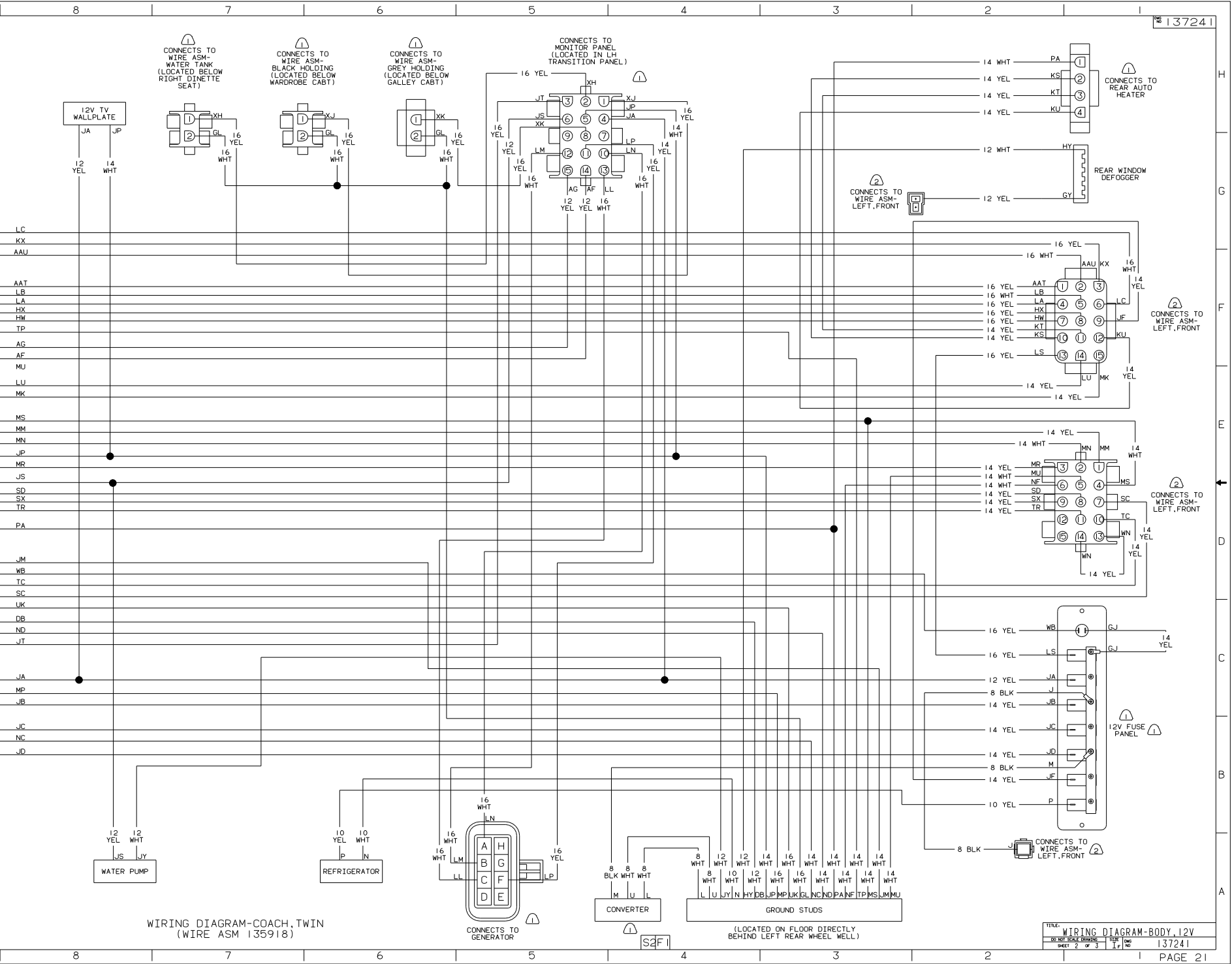
SUB-WOOFER

POWER VENT

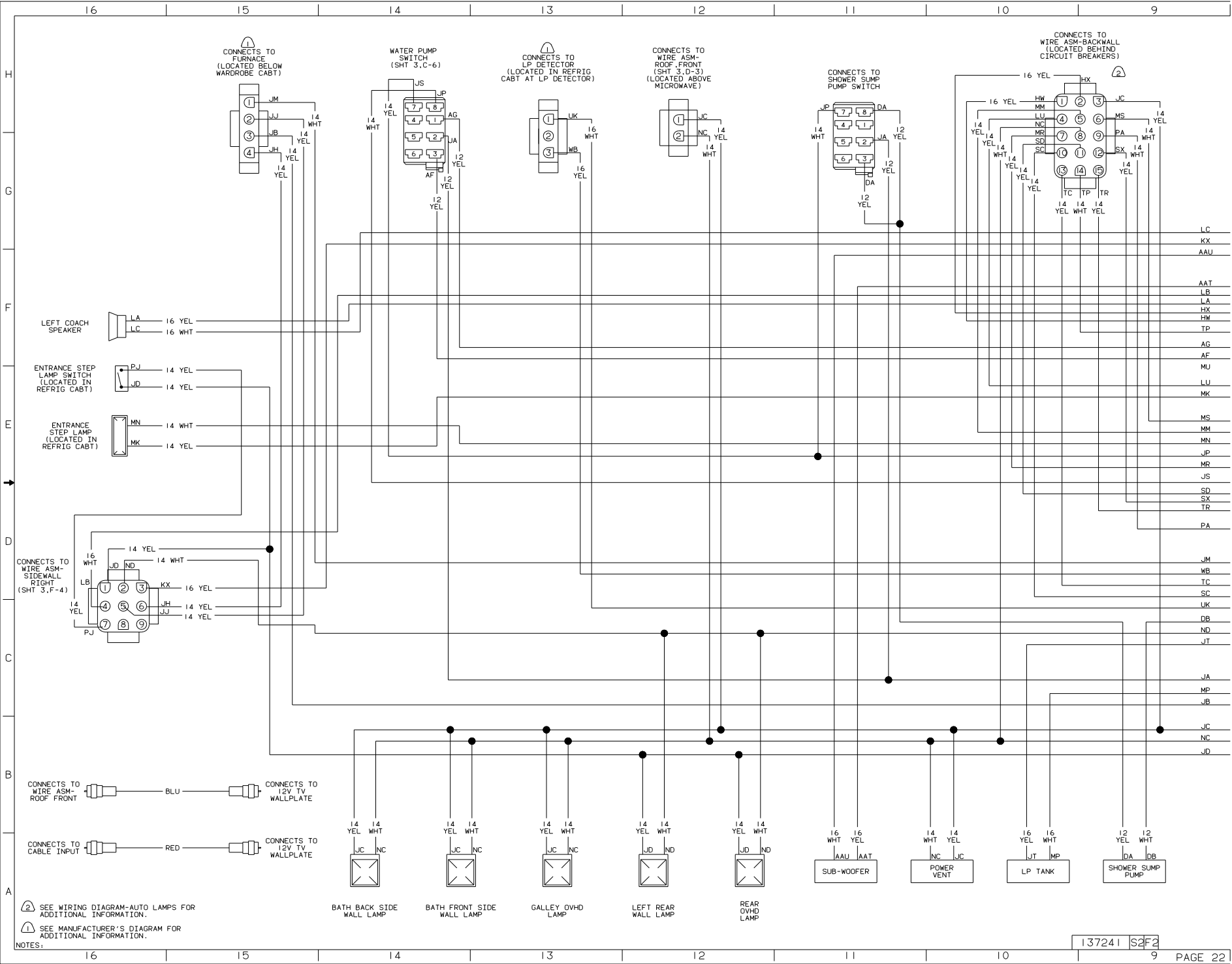
LP TANK

SHOWER SUMP PUMP

NOTES:
② SEE WIRING DIAGRAM-AUTO LAMPS FOR ADDITIONAL INFORMATION.
① SEE MANUFACTURER'S DIAGRAM FOR ADDITIONAL INFORMATION.



WIRING DIAGRAM-COACH TWIN (WIRE ASM 135918)



CONNECTS TO FURNACE (LOCATED BELOW WARDROBE CABT)

WATER PUMP SWITCH (SHT 3.C-6)

CONNECTS TO LP DETECTOR (LOCATED IN REFRIG CABT AT LP DETECTOR)

CONNECTS TO WIRE ASM-ROOF, FRONT (SHT 3.D-3) (LOCATED ABOVE MICROWAVE)

CONNECTS TO SHOWER SUMP PUMP SWITCH

CONNECTS TO WIRE ASM-BACKWALL (LOCATED BEHIND CIRCUIT BREAKERS)

LEFT COACH SPEAKER

ENTRANCE STEP LAMP SWITCH (LOCATED IN REFRIG CABT)

ENTRANCE STEP LAMP (LOCATED IN REFRIG CABT)

CONNECTS TO WIRE ASM-SIDEWALL, RIGHT (SHT 3.F-4)

CONNECTS TO WIRE ASM-ROOF, FRONT

CONNECTS TO 12V TV WALLPLATE

CONNECTS TO CABLE INPUT

CONNECTS TO 12V TV WALLPLATE

BATH BACK SIDE WALL LAMP

BATH FRONT SIDE WALL LAMP

GALLEY OVHD LAMP

LEFT REAR WALL LAMP

REAR OVHD LAMP

SUB-WOOFER

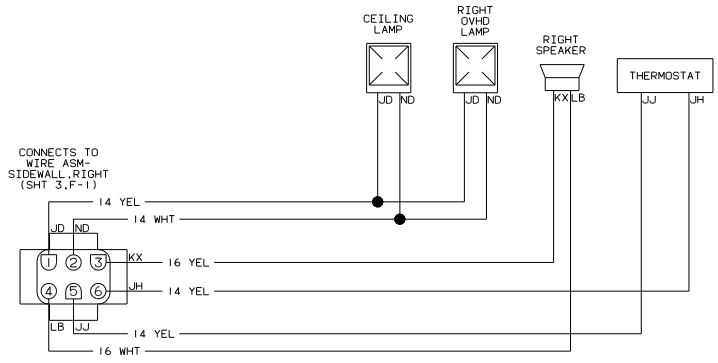
POWER VENT

LP TANK

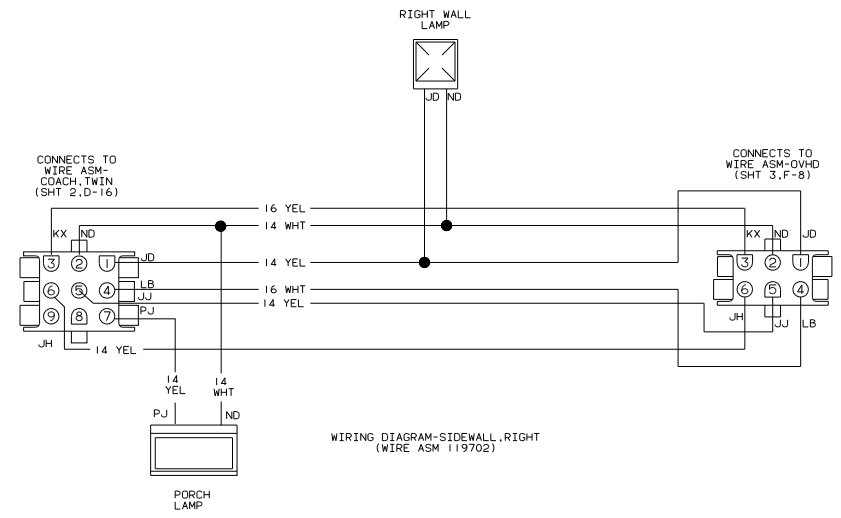
SHOWER SUMP PUMP

2 SEE WIRING DIAGRAM-AUTO LAMPS FOR ADDITIONAL INFORMATION.

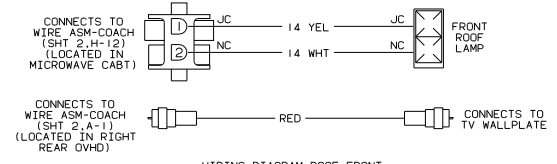
1 SEE MANUFACTURER'S DIAGRAM FOR ADDITIONAL INFORMATION.



WIRING DIAGRAM-OVHD (WIRE ASM 119701)



WIRING DIAGRAM-SIDEWALL, RIGHT (WIRE ASM 119702)



WIRING DIAGRAM-ROOF, FRONT (WIRE ASM 133878)