



**DANGER**

**Danger of electrical shock, burns or death.** Always remove all power sources before attempting any repair, service or diagnostic work. Power can be present from shore power, generator, inverter or battery. All power sources must be disabled and secured before performing any service.

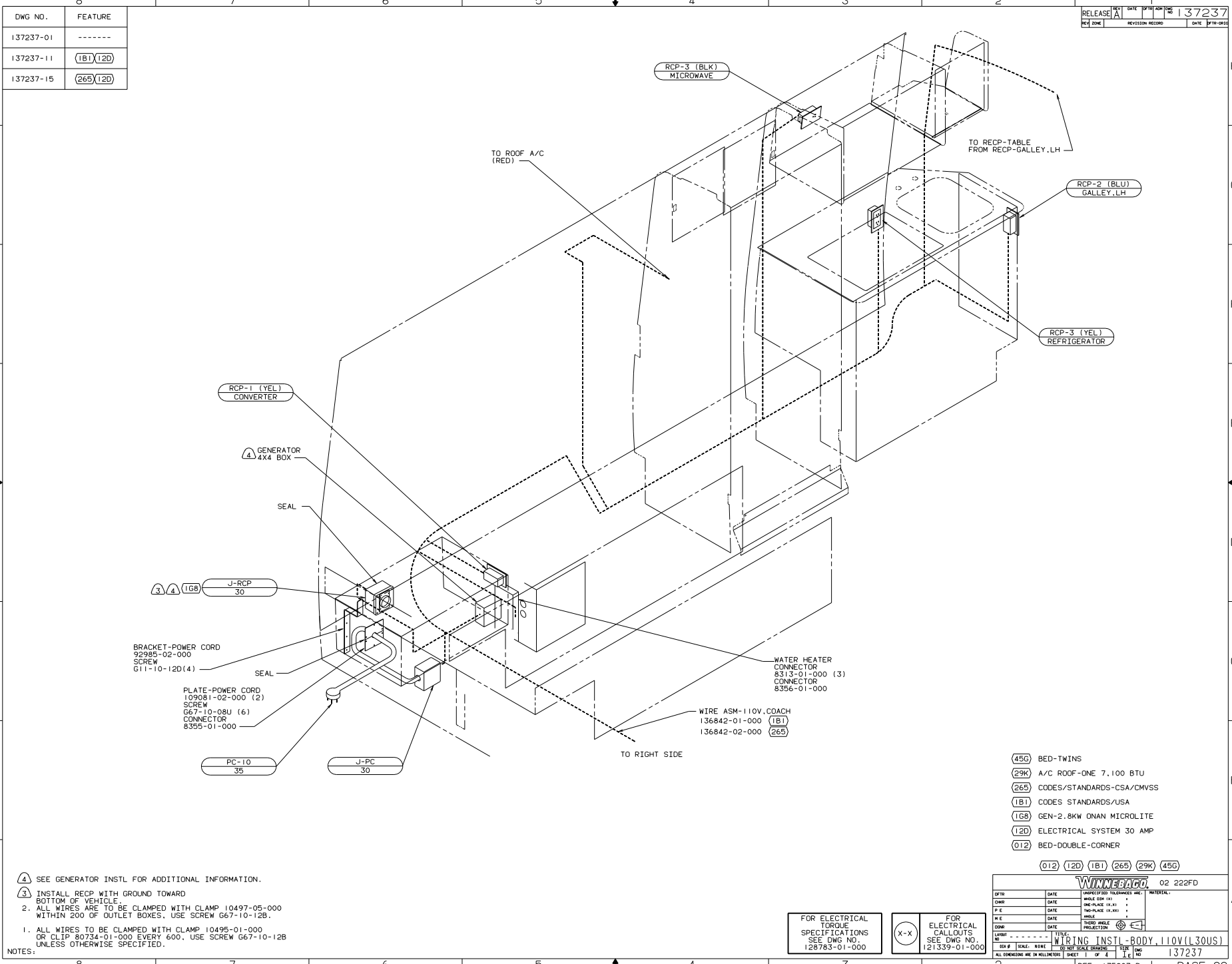


**CAUTION**

If you lack the skills, tools or equipment to perform diagnostic or repair work leave such work to an authorized Winnebago Industries dealer or other qualified shop.

DWG NO.	FEATURE
137237-01	-----
137237-11	(181)(120)
137237-15	(265)(120)

RELEASE	DATE	BY	DATE	BY	DATE	BY	DATE	BY	DATE	BY	137237
REV	NO	NO	NO	NO	NO	NO	NO	NO	NO	NO	
REVISION RECORD	DATE	BY	NO	NO	NO	NO	NO	NO	NO	NO	



- 4 SEE GENERATOR INSTL FOR ADDITIONAL INFORMATION.
- 3 INSTALL RECP WITH GROUND TOWARD BOTTOM OF VEHICLE.
2. ALL WIRES ARE TO BE CLAMPED WITH CLAMP 10497-05-000 WITHIN 200 OF OUTLET BOXES. USE SCREW G67-10-12B.
1. ALL WIRES TO BE CLAMPED WITH CLAMP 10495-01-000 OR CLIP 80734-01-000 EVERY 600. USE SCREW G67-10-12B UNLESS OTHERWISE SPECIFIED.

NOTES:

- (456) BED-TWINS
- (29K) A/C ROOF-ONE 7.100 BTU
- (265) CODES/STANDARDS-CSA/CMVSS
- (181) CODES STANDARDS/USA
- (1G8) GEN-2.8KW ONAN MICROLITE
- (120) ELECTRICAL SYSTEM 30 AMP
- (012) BED-DOUBLE-CORNER

(012) (120) (181) (265) (29K) (456)

WINNEBAGO 02 222FD

DATE	DATE	UNSPECIFIED TOLERANCES ARE:	MATERIAL:
DATE	DATE	ONE-PLACE (1X.XX)	
DATE	DATE	TWO-PLACE (1X.XX)	
DATE	DATE	THREE-PLACE (1X.XXX)	
DATE	DATE	FOUR-PLACE (1X.XXXX)	
DATE	DATE	FIVE-PLACE (1X.XXXXX)	
DATE	DATE	SIX-PLACE (1X.XXXXXX)	
DATE	DATE	SEVEN-PLACE (1X.XXXXXXX)	
DATE	DATE	EIGHT-PLACE (1X.XXXXXXX)	
DATE	DATE	NINE-PLACE (1X.XXXXXXX)	
DATE	DATE	TEN-PLACE (1X.XXXXXXX)	
DATE	DATE	ELEVEN-PLACE (1X.XXXXXXX)	
DATE	DATE	TWELVE-PLACE (1X.XXXXXXX)	
DATE	DATE	THIRTEEN-PLACE (1X.XXXXXXX)	
DATE	DATE	FOURTEEN-PLACE (1X.XXXXXXX)	
DATE	DATE	FIFTEEN-PLACE (1X.XXXXXXX)	
DATE	DATE	SIXTEEN-PLACE (1X.XXXXXXX)	
DATE	DATE	SEVENTEEN-PLACE (1X.XXXXXXX)	
DATE	DATE	EIGHTEEN-PLACE (1X.XXXXXXX)	
DATE	DATE	NINETEEN-PLACE (1X.XXXXXXX)	
DATE	DATE	TWENTY-PLACE (1X.XXXXXXX)	
DATE	DATE	TWENTY-ONE-PLACE (1X.XXXXXXX)	
DATE	DATE	TWENTY-TWO-PLACE (1X.XXXXXXX)	
DATE	DATE	TWENTY-THREE-PLACE (1X.XXXXXXX)	
DATE	DATE	TWENTY-FOUR-PLACE (1X.XXXXXXX)	
DATE	DATE	TWENTY-FIVE-PLACE (1X.XXXXXXX)	
DATE	DATE	TWENTY-SIX-PLACE (1X.XXXXXXX)	
DATE	DATE	TWENTY-SEVEN-PLACE (1X.XXXXXXX)	
DATE	DATE	TWENTY-EIGHT-PLACE (1X.XXXXXXX)	
DATE	DATE	TWENTY-NINE-PLACE (1X.XXXXXXX)	
DATE	DATE	THIRTY-PLACE (1X.XXXXXXX)	

FOR ELECTRICAL TORQUE SPECIFICATIONS SEE DWG NO. 128783-01-000

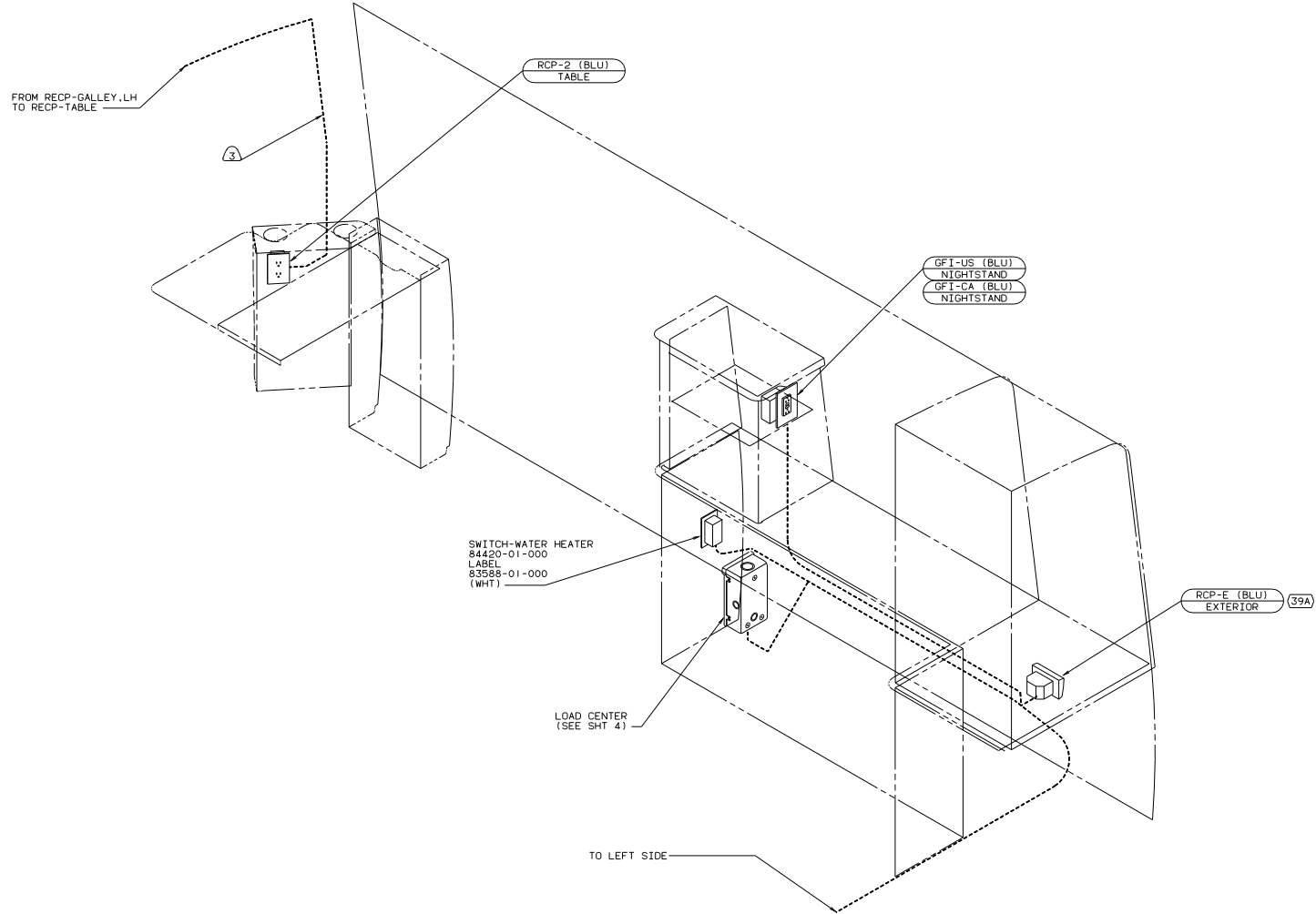
FOR ELECTRICAL CALLOUTS SEE DWG NO. 121339-01-000



WIRING INSTL-BODY,110V(L30US)

137237

REF: 135987 D | PAGE 29



- 3 WIRE ROUTED BEHIND TRANSITION PANEL.
2. ALL WIRES ARE TO BE CLAMPED WITH CLAMP 10497-05-000 WITHIN 200 OF OUTLET BOXES. USE SCREW G67-10-12B.
1. ALL WIRES TO BE CLAMPED WITH CLAMP 10495-01-000 OR CLIP 80734-01-000 EVERY 600. USE SCREW G67-10-12B UNLESS OTHERWISE SPECIFIED.

- 39A EXT RECEPTACLE DPLX 120VAC
- 012 BED-DOUBLE-CORNER
- 12D ELECTRICAL SYSTEM 30 AMP
- 265 CODES/STANDARDS-CSA/CMVSS
- 1B1 CODES STANDARDS/USA

FOR ELECTRICAL TORQUE SPECIFICATIONS SEE DWG NO. 128783-01-000

FOR ELECTRICAL CALLOUTS SEE DWG NO. 121339-01-000

1B1 265 12D 012 02 222FD

WIRING INSTL-BODY.L110V(R30)

FROM RECP-GALLEY  
TO RECP-TABLE

RCP-2 (BLU)  
TABLE

3

SWITCH-WATER HEATER  
84420-01-000  
LABEL  
83588-01-000  
(WHT)

LOAD CENTER  
(SEE SHT 4)

RCP-E (BLU)  
EXTERIOR (39A)

TO LEFT SIDE

GFI-US (BLU)  
NIGHTSTAND  
GFI-CA (BLU)  
NIGHTSTAND

(15G)

- NOTES:
- 1. ALL WIRES TO BE CLAMPED WITH CLAMP 10495-01-000 OR CLIP 80734-01-000 EVERY 600. USE SCREW G67-10-12B UNLESS OTHERWISE SPECIFIED.
  - 2. ALL WIRES ARE TO BE CLAMPED WITH CLAMP 10497-05-000 WITHIN 200 OF OUTLET BOXES. USE SCREW G67-10-12B.
  - 3. WIRE ROUTED BEHIND TRANSITION PANEL.

- (45G) BED-TWINS
- (39A) EXT RECEPTACLE DPLX 120VAC
- (12D) ELECTRICAL SYSTEM 30 AMP
- (265) CODES/STANDARDS-CSA/CMVSS
- (1B1) CODES STANDARDS/USA

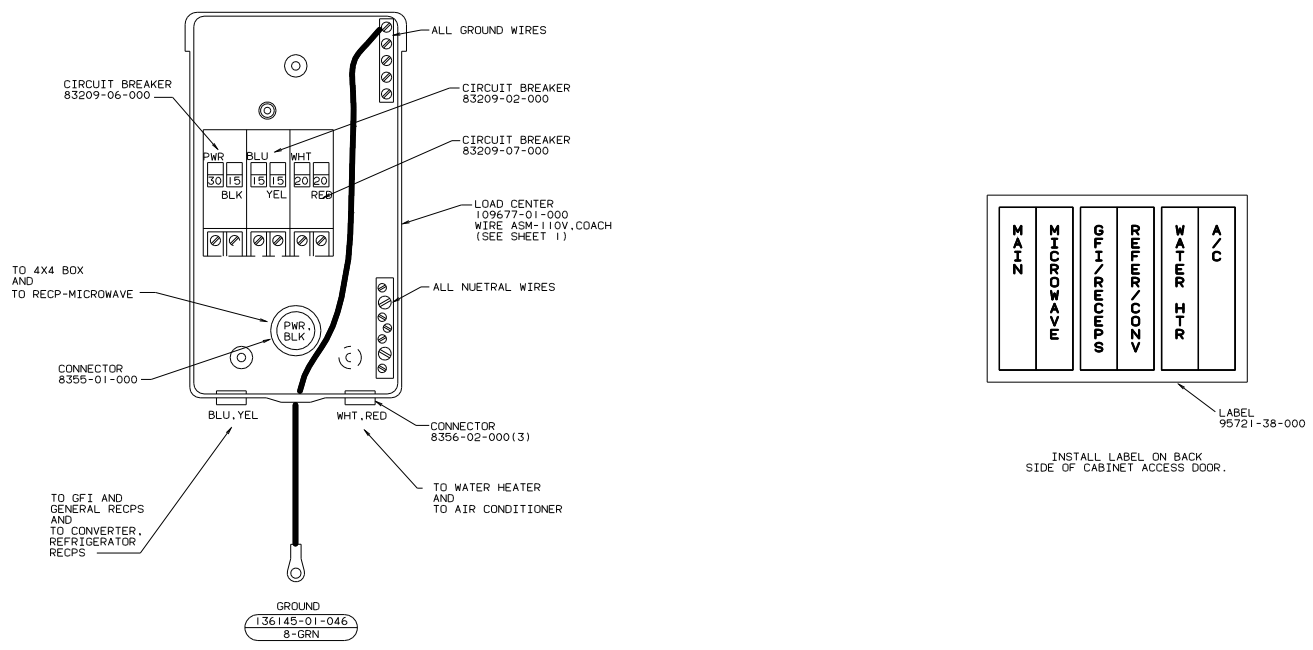
FOR ELECTRICAL  
TORQUE  
SPECIFICATIONS  
SEE DWG NO.  
128783-01-000

FOR  
ELECTRICAL  
CALLOUTS  
SEE DWG NO.  
121339-01-000

(1B1) (265) (12D) (45G) 02 222FD

WIRING INSTL-BODY.L110V(R30)

NO SCALE CHANGE THIS NO 137237  
SHEET 3 OF 4 If NO



NOTES:  
 1. ALL CABLES SHALL BE COVERED WITH CONDUIT-CONVOLUTE, SLIT 41953-01-000, UNLESS OTHERWISE SPECIFIED, 600 LESS THAN CABLE LENGTH.

- (45G) BED-TWINS
- (265) CODES/STANDARDS-CSA/CMVSS
- (1B1) CODES STANDARDS/USA
- (12D) ELECTRICAL SYSTEM 30 AMP
- (012) BED-DOUBLE-CORNER

FOR ELECTRICAL TORQUE SPECIFICATIONS SEE DWG NO. 128783-01-000

FOR ELECTRICAL CALLOUTS SEE DWG NO. 121339-01-000

012 12D 1B1 265 45G 02 222FD  
 TITLE: WIRING INSTL-BODY(LC30)  
 DO NOT SCALE DRAWING SHEET 4 OF 4 I.F. No. 137237