



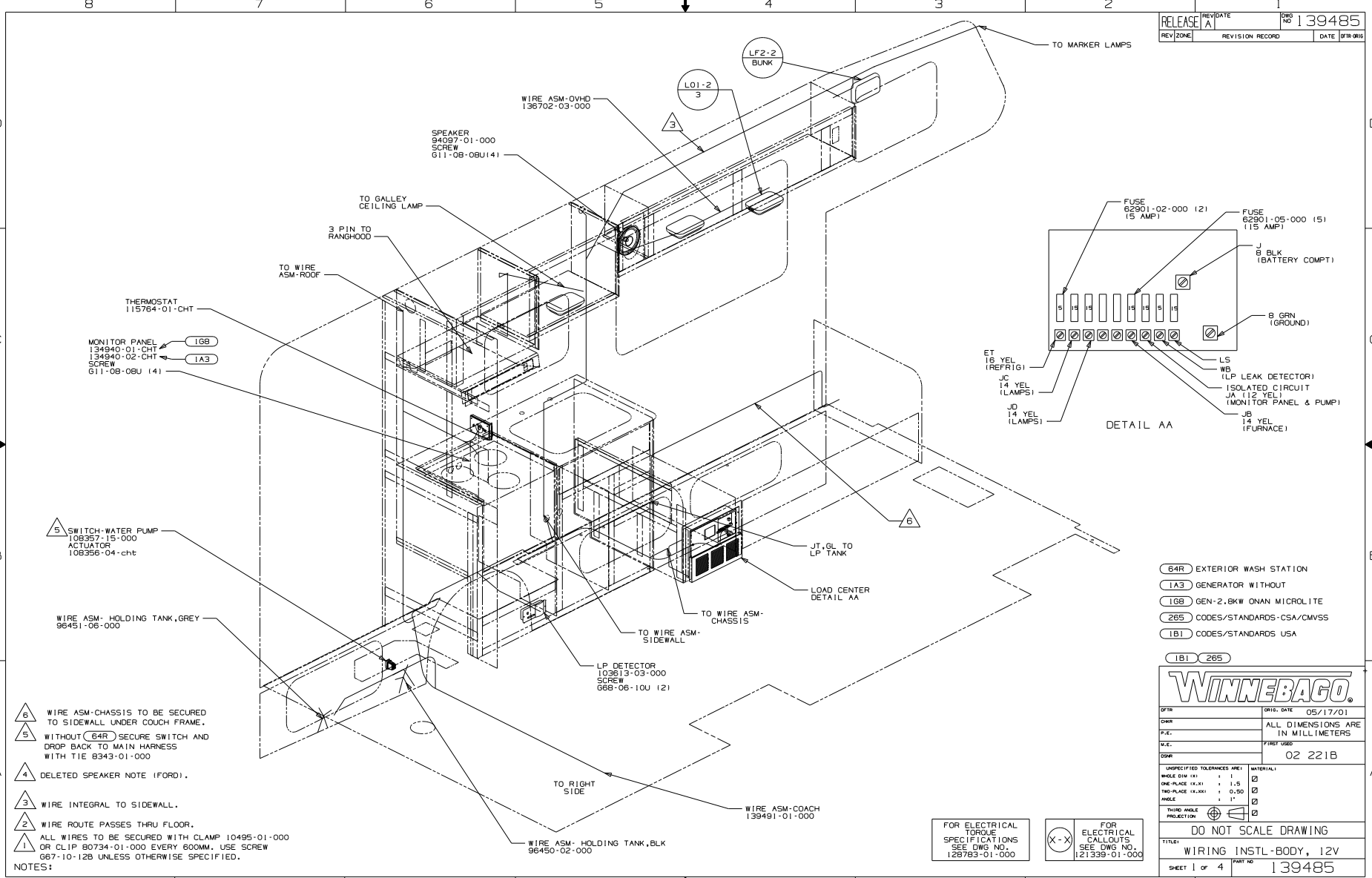
DANGER

Danger of electrical shock, burns or death. Always remove all power sources before attempting any repair, service or diagnostic work. Power can be present from shore power, generator, inverter or battery. All power sources must be disabled and secured before performing any service.



CAUTION

If you lack the skills, tools or equipment to perform diagnostic or repair work leave such work to an authorized Winnebago Industries dealer or other qualified shop.



- (64R) EXTERIOR WASH STATION
- (1A3) GENERATOR WITHOUT
- (1GB) GEN-2, BKW ONAN MICROLITE
- (265) CODES/STANDARDS-CSA/CMVSS
- (1B1) CODES/STANDARDS USA
- (1B1) 265

WINNEBAGO

DATE: 05/17/01
 ORG. DATE: 05/17/01
 ALL DIMENSIONS ARE IN MILLIMETERS

UNSPECIFIED TOLERANCES ARE:
 FINISH DIM. (XX) ± .1
 ONE-PLACE (XX,XX) ± 1.5
 TWO-PLACE (XX,XX) ± 0.50
 HOLE ± .1
 THIRD ANGLE PROJECTION

DO NOT SCALE DRAWING

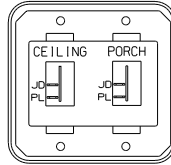
TITLE: WIRING INSTL-BODY, 12V
 SHEET 1 of 4 PART NO 139485

REF: 137264 1 PAGE 50

FOR ELECTRICAL TORQUE SPECIFICATIONS SEE DWG NO. 128793-01-000

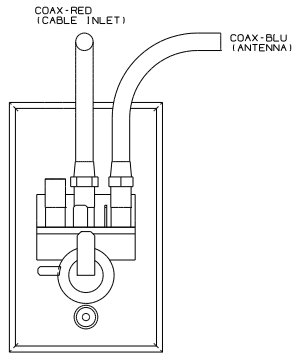
(X-X) FOR ELECTRICAL CALLOUTS SEE DWG NO. 121339-01-000

- NOTES:
- 1 ALL WIRES TO BE SECURED WITH CLAMP 10495-01-000 OR CLIP 80734-01-000 EVERY 600MM. USE SCREW G67-10-12B UNLESS OTHERWISE SPECIFIED.
 - 2 WIRE ROUTE PASSES THRU FLOOR.
 - 3 WIRE INTEGRAL TO SIDEWALL.
 - 4 DELETED SPEAKER NOTE (IFORD).
 - 5 WITHOUT (64R) SECURE SWITCH AND DROP BACK TO MAIN HARNESS WITH TIE B343-01-000
 - 6 WIRE ASM-CHASSIS TO BE SECURED TO SIDEWALL UNDER COUCH FRAME.

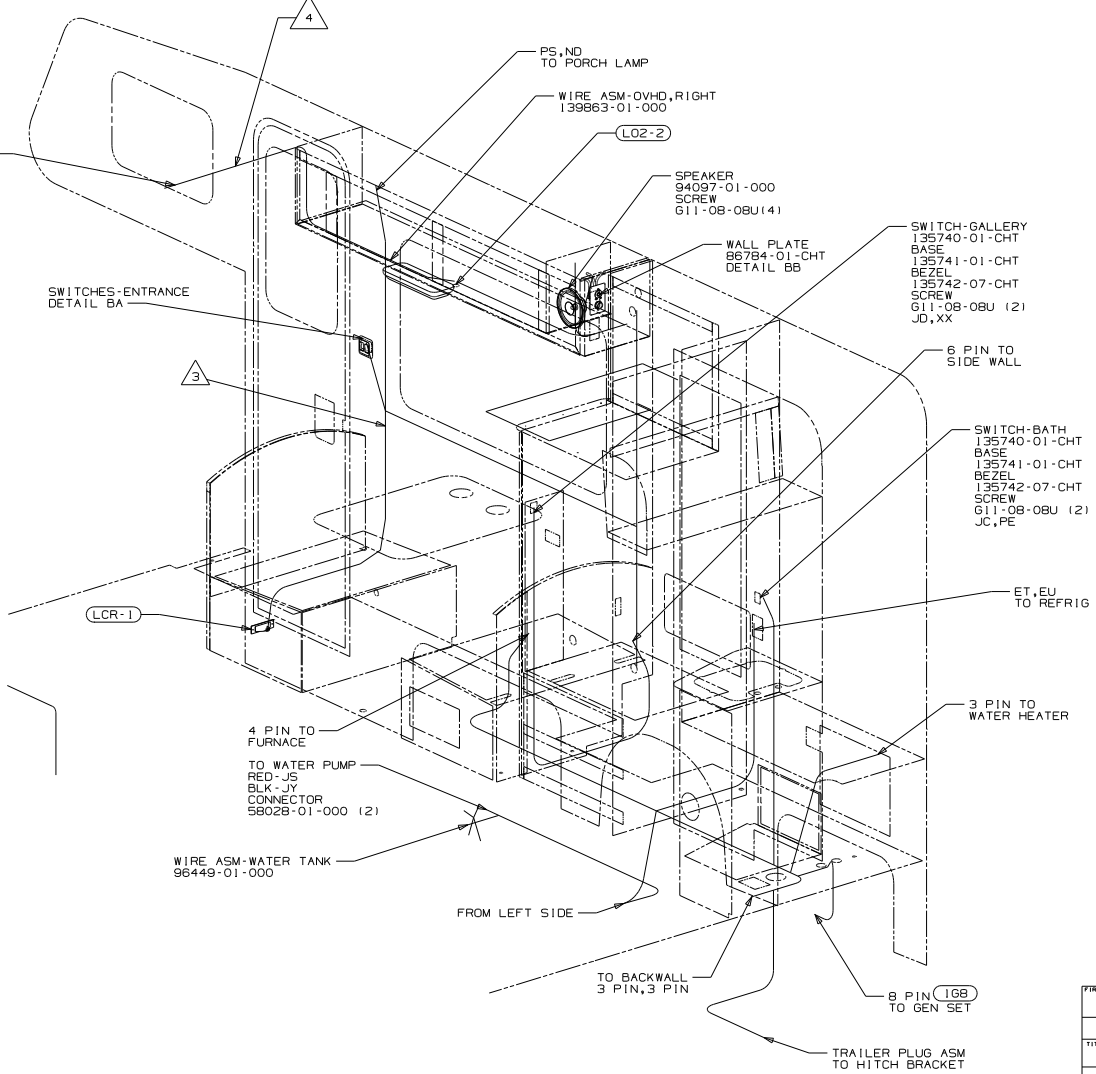


SWITCH-ROCKER
 135740-01-CHT (2)
 SWITCH-BASE
 135741-02-CHT
 SWITCH-BEZEL
 135742-19-CHT
 SCREW
 G11-08-0BU (4)

DETAIL BA

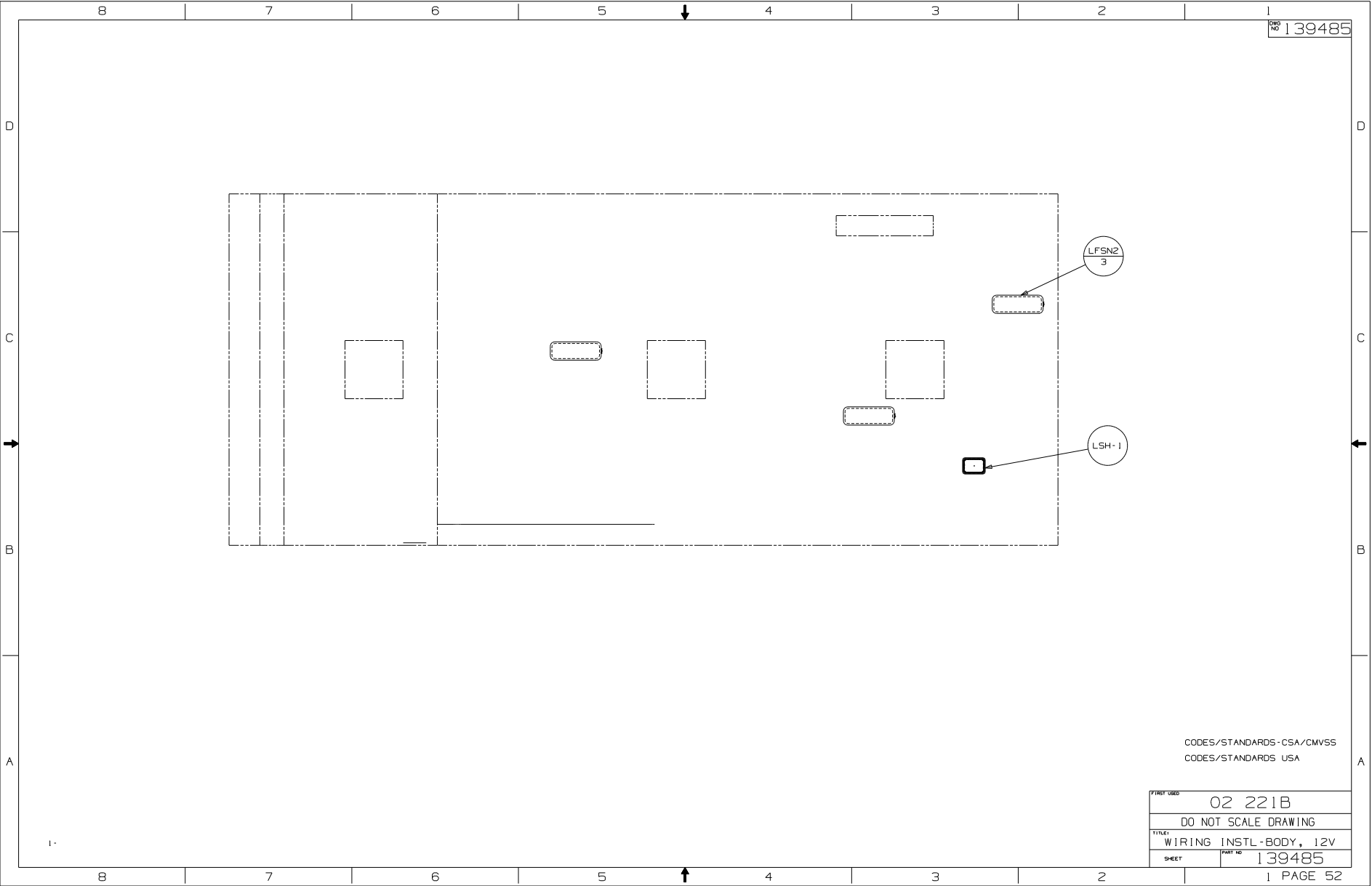


DETAIL BB



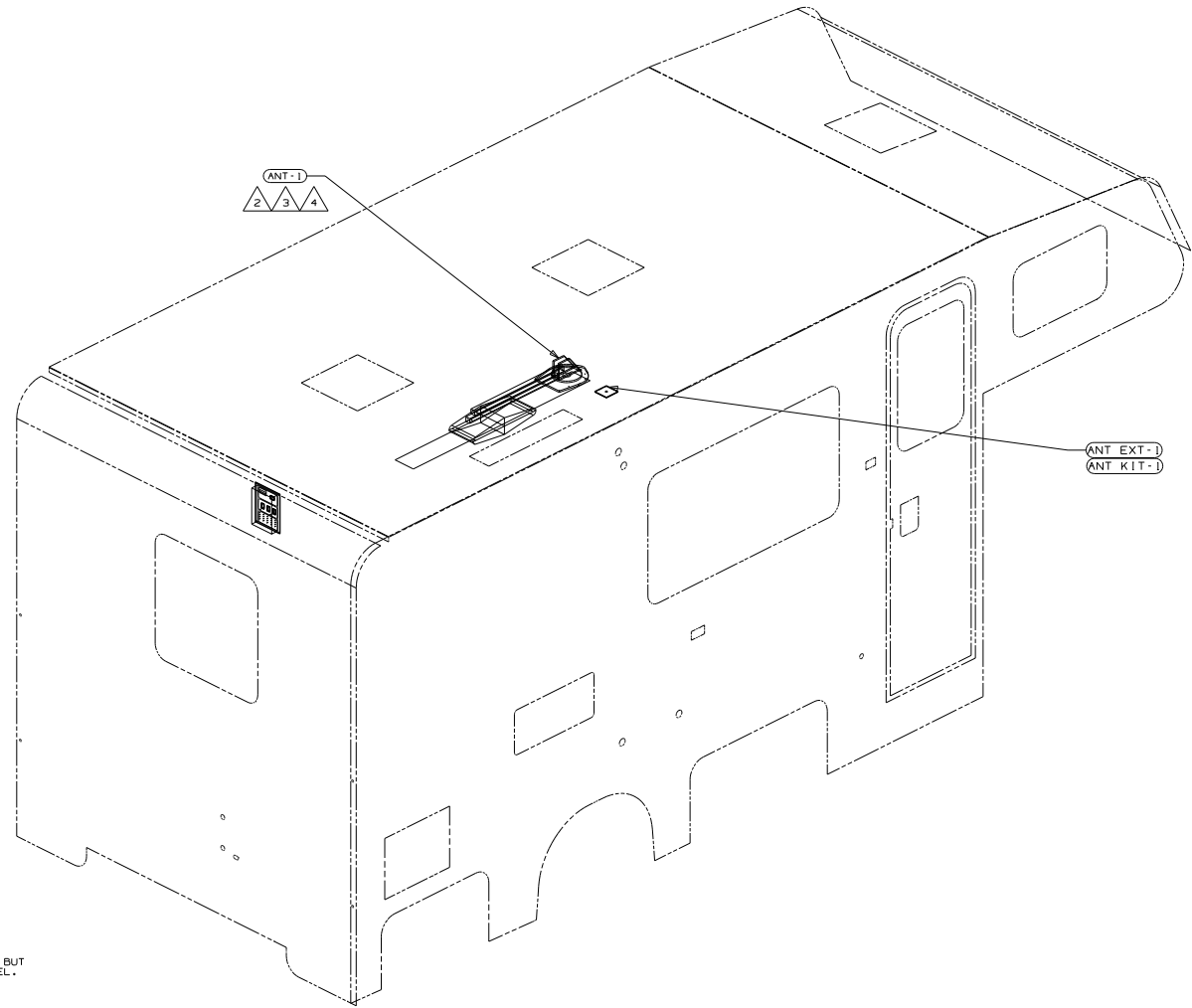
- 5 USE ONE OF THE SPEAKERS PROVIDED IN THE KIT. SEND THE SCREWS TTN IN THE KIT TO THE SURPLUS STORE. SEND THE KIT WIRE ASM-PIGTAIL TO WIRE PREP TO BE INCORPORATED INTO A WIRE ASM.
- 4 ROUTE WIRES THRU ROOF.
- 3 WIRE INTEGRAL TO SIDEWALL.
- 2 WIRE ROUTE PASSES THRU FLOOR.
- 1 ALL WIRES TO BE SECURED WITH CLAMP 10495-01-000 OR CLIP 80734-01-000 EVERY 600MM. USE SCREW 667-10-12B UNLESS OTHERWISE SPECIFIED.

GEN-2, BKW ONAN MICROLITE CODES/STANDARDS-CSA/CMVSS CODES/STANDARDS USA	
FIRST USED	02 221B
DO NOT SCALE DRAWING	
TITLE	WIRING INSTL-BODY, 12V
SHEET	PART NO 139485



CODES/STANDARDS - CSA/CMVSS
CODES/STANDARDS USA

FIRST USED	02 221B
DO NOT SCALE DRAWING	
TITLE:	WIRING INSTL - BODY, 12V
SHEET	PART NO 139485



ANT-1
2 3 4

ANT EXT-1
ANT KIT-1

LOCATE CLAMP TO RETAIN CABLE BUT NOT TO RESTRICT ANTENNA TRAVEL. SEE DRAWING 76319-01-000 FOR INSTALLATION OF TV ANTENNA.
ADD RUBBER BUMPER TO ROOF UNDER EACH END OF ANTENNA IN DOWN POSITION WHICH MAY COME INTO CONTACT WITH ROOF.
1 CONNECTOR-PLUG, TRAILER 113589-01-000 TO BE SUPPLIED LOOSE IN COACH WITH TRAILER TOW PACKAGE.

CODES/STANDARDS - CSA/CMVSS
CODES/STANDARDS USA

FIRST USED	02 221B
DO NOT SCALE DRAWING	
TITLE	WIRING INSTL - BODY, 12V
SHEET	PART NO 139485