



**DANGER**

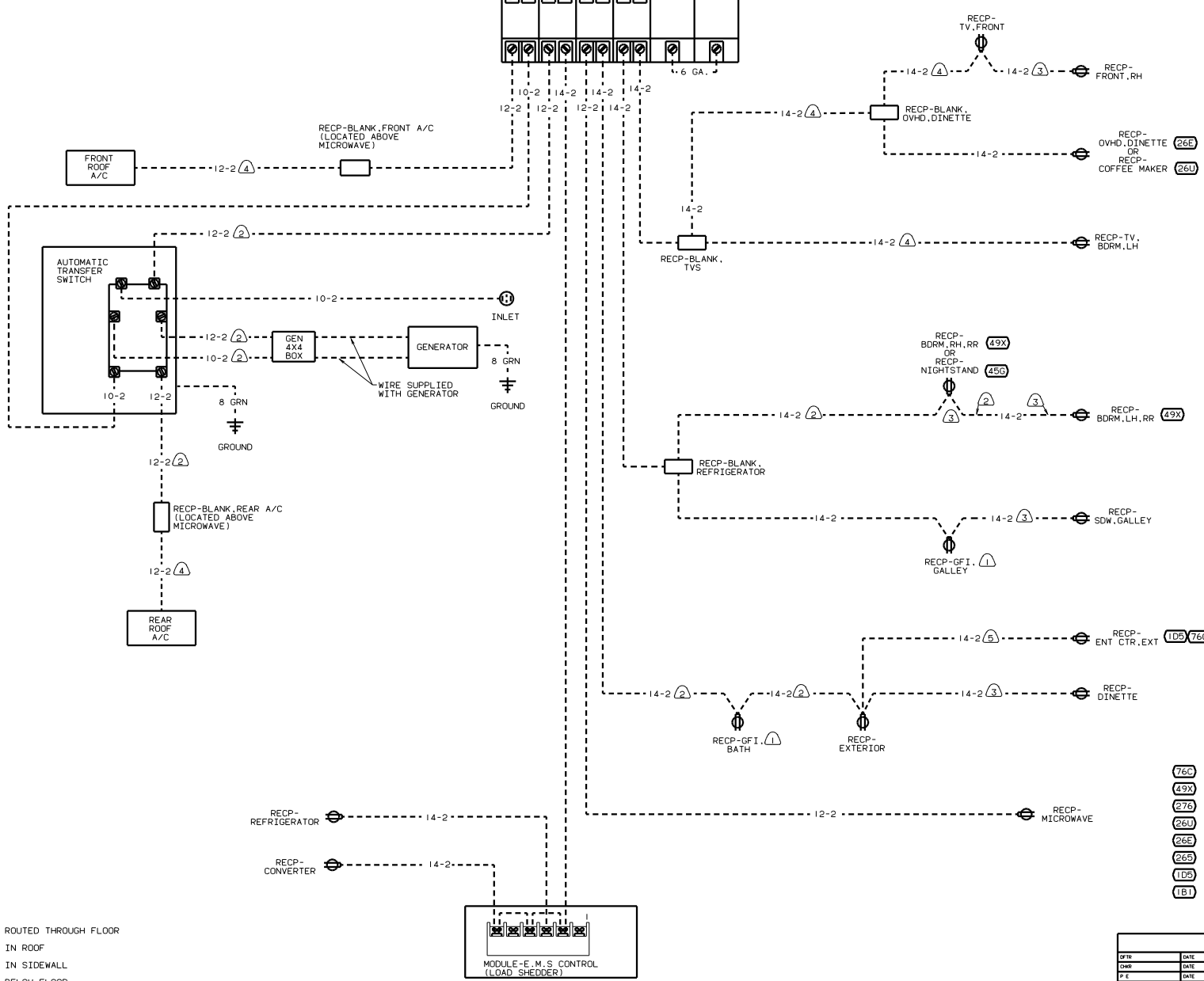
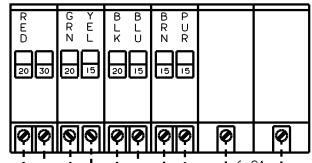
**Danger of electrical shock, burns or death.** Always remove all power sources before attempting any repair, service or diagnostic work. Power can be present from shore power, generator, inverter or battery. All power sources must be disabled and secured before performing any service.



**CAUTION**

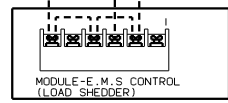
If you lack the skills, tools or equipment to perform diagnostic or repair work leave such work to an authorized Winnebago Industries dealer or other qualified shop.

LOAD CENTER



- ⑤ WIRE ROUTED THROUGH FLOOR
- ④ WIRE IN ROOF
- ③ WIRE IN SIDEWALL
- ② WIRE BELOW FLOOR
- ① ALL OUTLETS DOWN STREAM AND INCLUDING THIS OUTLET ARE GROUND FAULT CIRCUIT INTERRUPT PROTECTED.

- ⑦⑥① ENTERTAINMENT CTR/EXT CASSETTE
- ④⑨⑩ BED-QUEEN - BACKWALL
- ②⑦⑥ A/C ROOF-HI EFF (2) W/EMS
- ②⑥① COFFEE MAKER
- ②⑥⑤ COFFEE MAKER-WITHOUT
- ②⑥⑤ CODES/STANDARDS-CSA/CMVSS
- ①②⑤ ENTERTAINMENT CENTR/EXT W/CD
- ①②① CODES/STANDARDS USA



①②① ②⑥⑤ ②⑦⑥

**WINNEBAGO** OI F32T

DATE	DATE	UNSPECIFIED TOLERANCES ARE:	MATERIAL
DATE	DATE	WHOLE OR 1/16"	
DATE	DATE	ONE-PLACE (1/32)"	
DATE	DATE	TWO-PLACE (1/64)"	
DATE	DATE	ANGLE	
DATE	DATE	INDIC. WHOLE PROJECTION	

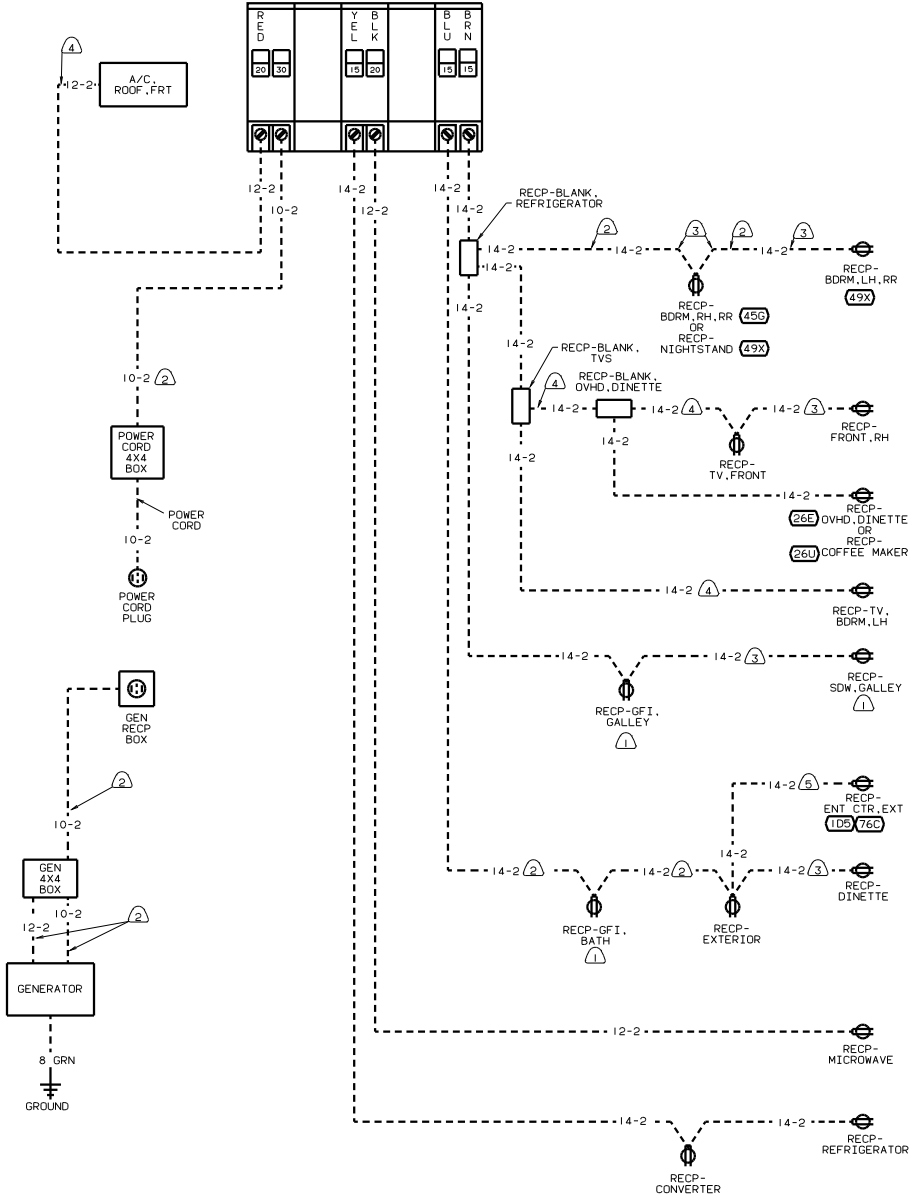
LANE # \_\_\_\_\_ TITLE: WIRING DIAGRAM-BODY 110V

REV # \_\_\_\_\_ SCALE: NONE 20 PER SCALE CHANGES

ALL DIMENSIONS ARE IN MILLIMETERS SHEET 1 OF 2 FILE NO. 136502

REF: 133758

LOAD CENTER



- (76C) ENTERTAINMNT CTR/EXT CASSETTE
- (265) CODES/STANDARDS-CSA/CMVSS
- (26U) COFFEE MAKER
- (26E) COFFEE MAKER-WITHOUT
- (250) A/C ROOF AIR (1) 14,800 BTU
- (105) ENTERTAINMENT CENR/EXT W/CD
- (1B1) CODES/STANDARDS USA

- (5) WIRE ROUTED THROUGH FLOOR
- (4) WIRE IN ROOF
- (3) WIRE IN SIDEWALL
- (2) WIRE BELOW FLOOR
- (1) ALL OUTLETS DOWN STREAM AND INCLUDING THIS OUTLET ARE GROUND FAULT CIRCUIT INTERRUPT PROTECTED.

(1B1) (250) (265) 01 F32T

TITLE: WIRING DIAGRAM-BODY 110V	
NO. OF SHEETS	TOTAL SHEETS
2	2
DATE: 11/16/02	
DRAWN BY: J.E.	
CHECKED BY: J.E.	
136502	