



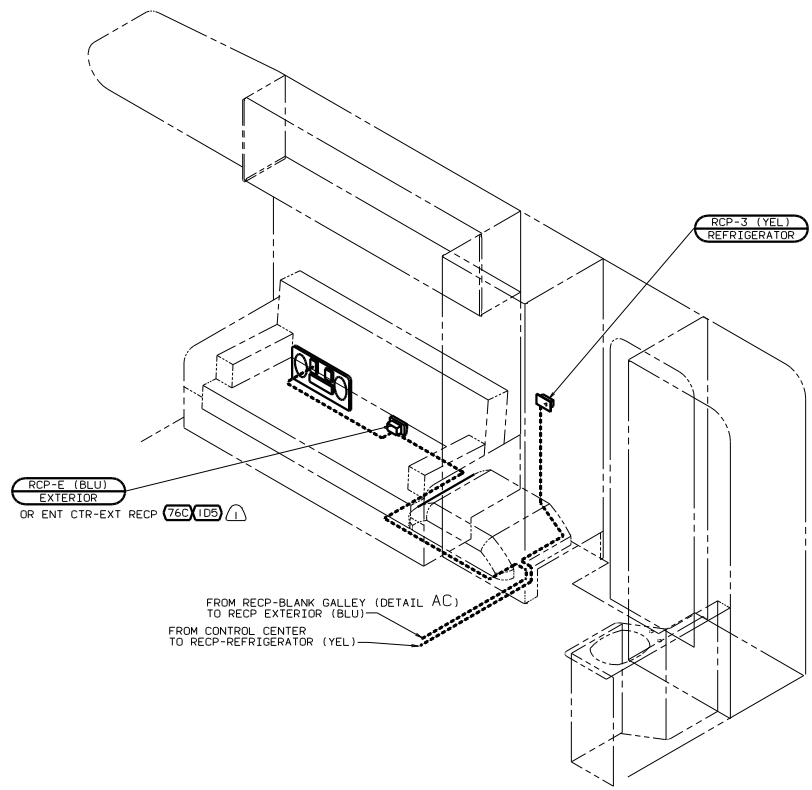
DANGER

Danger of electrical shock, burns or death. Always remove all power sources before attempting any repair, service or diagnostic work. Power can be present from shore power, generator, inverter or battery. All power sources must be disabled and secured before performing any service.



CAUTION

If you lack the skills, tools or equipment to perform diagnostic or repair work leave such work to an authorized Winnebago Industries dealer or other qualified shop.



RCP-E (BLU)
EXTERIOR
OR ENT CTR-EXT RECP 76C 12B 1

RCP-3 (YEL)
REFRIGERATOR

FROM RECP-BLANK GALLEY (DETAIL AC)
TO RECP-EXTERIOR (BLU)

FROM CONTROL CENTER
TO RECP-REFRIGERATOR (YEL)

- 12B ENTERTAINMENT CTR/EXT W/CD
- 76C ENTERTAINMENT CTR/EXT CASSETTE
- 12D ELECTRICAL SYSTEM 30 AMP
- 265 CODES/STANDARDS-CSA/CMVSS
- 1B1 CODES/STANDARDS USA

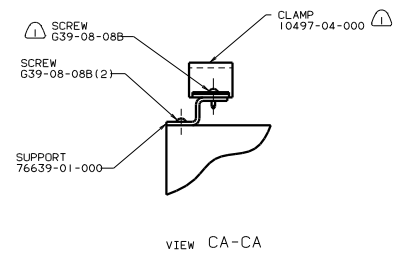
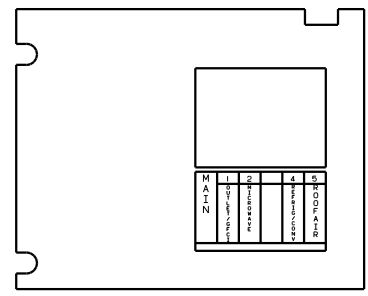
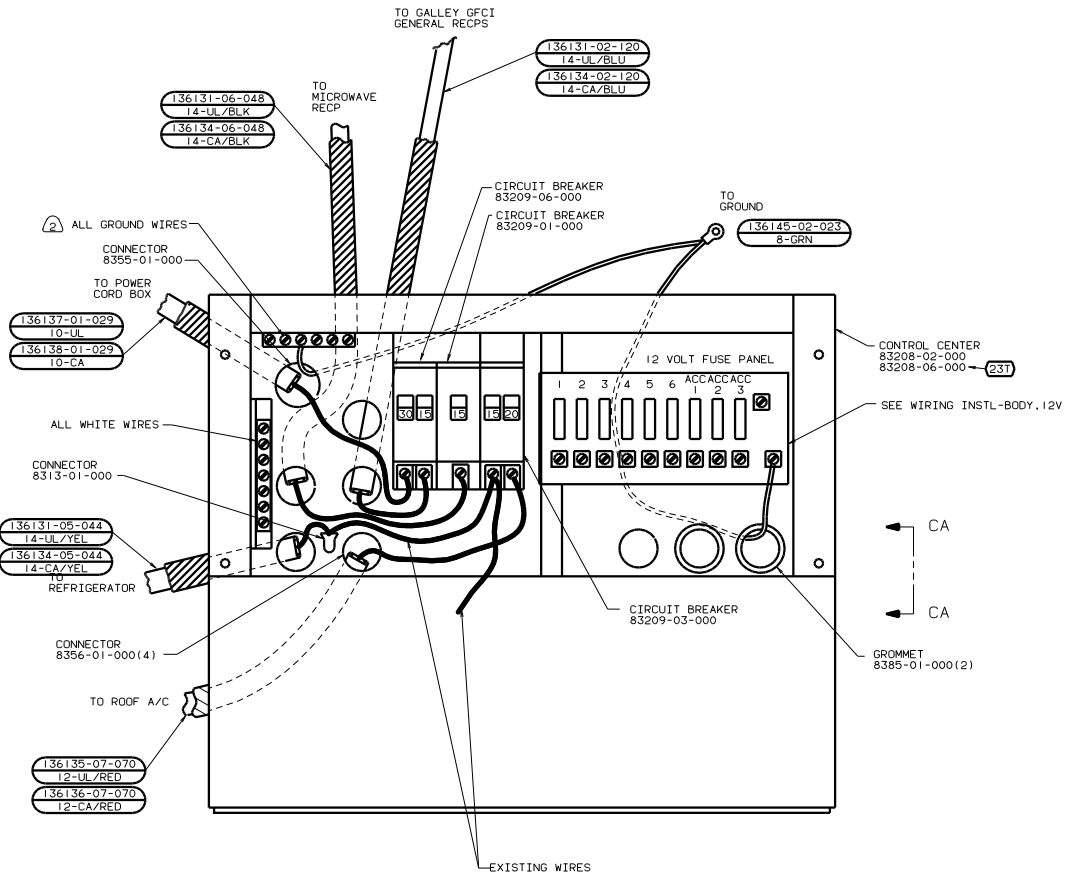
01 322R

NOTES: SEE ENTERTAINMENT CENTER COMPL FOR ADDITIONAL INFORMATION.

FOR ELECTRICAL
TORQUE
SPECIFICATIONS
SEE DWG NO.
128783-01-000

FOR
ELECTRICAL
CALLOUTS
SEE DWG NO.
121339-01-000

TITLE: WIRING INSTL-BODY_110V
DWG NO 136476
SHEET 2 of 4



3. ALL CABLES SHALL BE COVERED WITH CONDUIT CONVOLUTE SLIT 41953-01-000 UNLESS OTHERWISE SPECIFIED. 600 LESS THAN CABLE LENGTH.

2 ALL GROUND WIRES TO BE COVERED WITH TUBING 8041-02-000.

1 FASTEN ALL WIRES TO SUPPORT. USE ONE SCREW PER CLAMP.


- 231 DRAINAGE SYSTEM-HEATED
- 120 ELECTRICAL SYSTEM 30 AMP
- 265 CODES/STANDARDS-CSA/CMVSS
- 1B1 CODES/STANDARDS USA

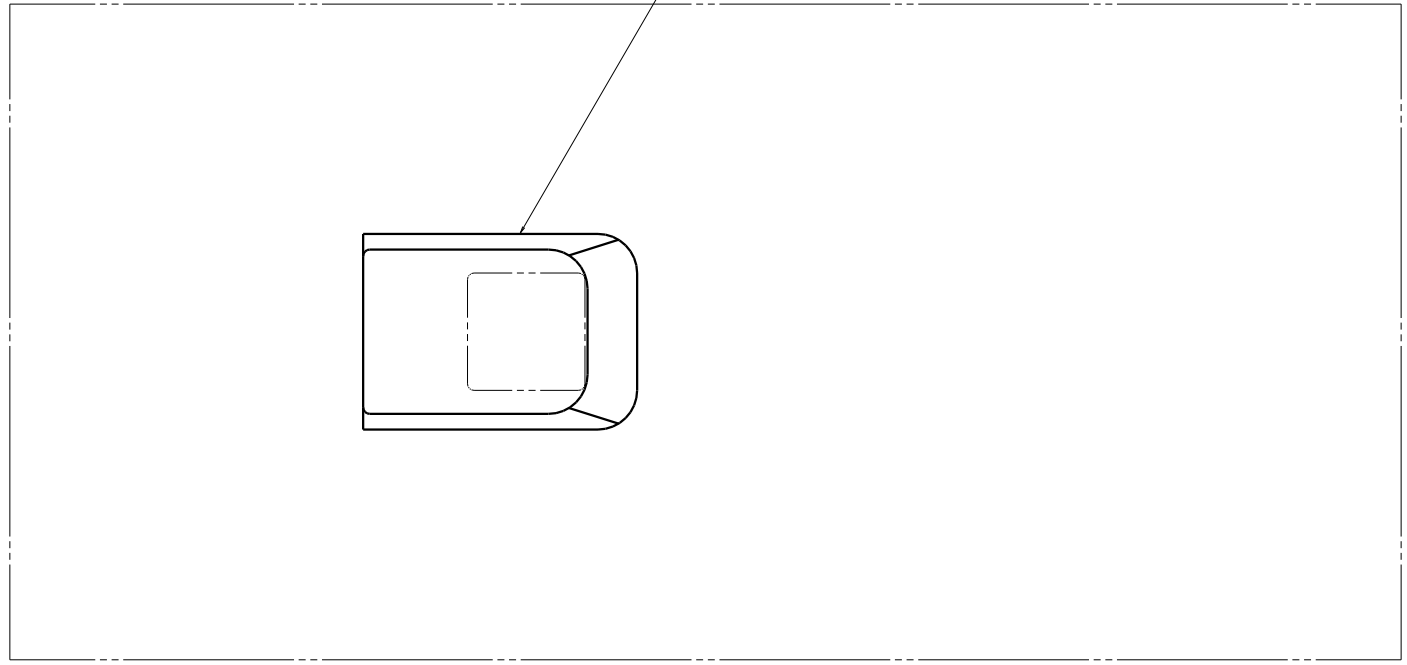
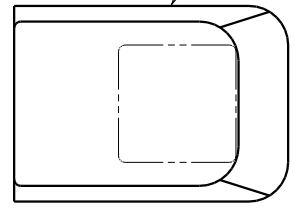
CONTROL CENTER 01 322R

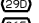
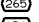
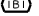
FOR ELECTRICAL TORQUE SPECIFICATIONS SEE DWG NO. 128783-01-000

FOR ELECTRICAL CALLOUTS SEE DWG NO. 121339-01-000


TITLE: WIRING INSTL-BODY.110V
SHEET 3 OF 4
DWG NO 136476

AIR CONDITIONER 
131185-01-CHT
CEILING ASM-A/C DUCTED
131184-03-CHT



-  A/C ROOF-ONE 13,500 BTU
-  CODES/STANDARDS-CSA/CMVSS
-  CODES/STANDARDS USA

A/C
01 322R

 SEE 12 VOLT DRAWING FOR MORE INFORMATION.

NOTES:

TITLE: WIRING INSTL-BODY_110V	
DATE: 04/20/2010	FILE NO: 136476
SHEET 4 of 4	1 of 1