



DANGER

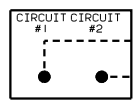
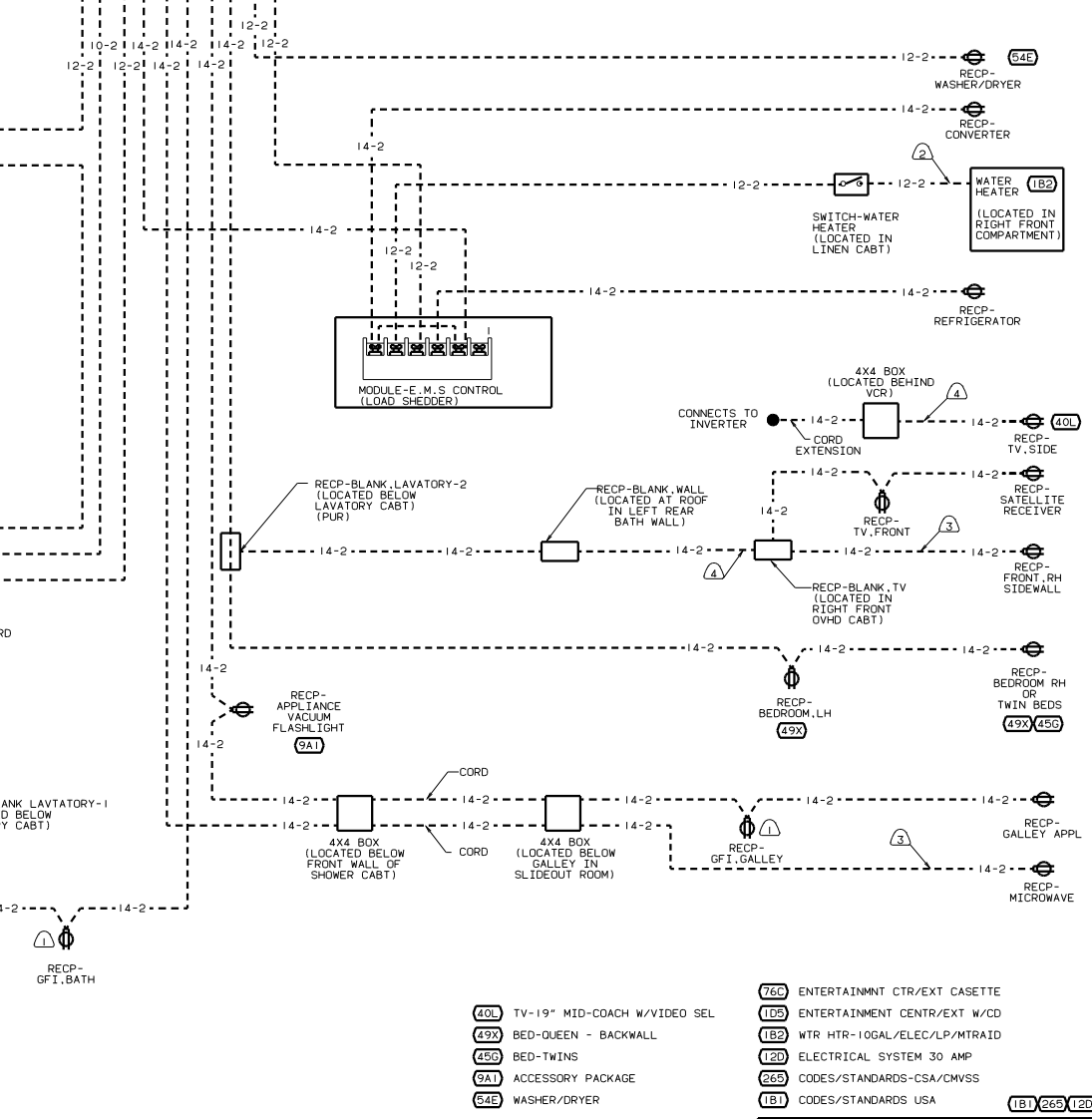
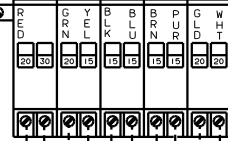
Danger of electrical shock, burns or death. Always remove all power sources before attempting any repair, service or diagnostic work. Power can be present from shore power, generator, inverter or battery. All power sources must be disabled and secured before performing any service.



CAUTION

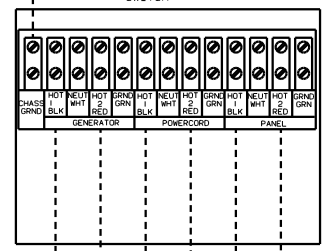
If you lack the skills, tools or equipment to perform diagnostic or repair work leave such work to an authorized Winnebago Industries dealer or other qualified shop.

LOAD CENTER



CENTRAL AIR UNIT
 (LOCATED IN RIGHT REAR COMPARTMENT BELOW FLOOR)

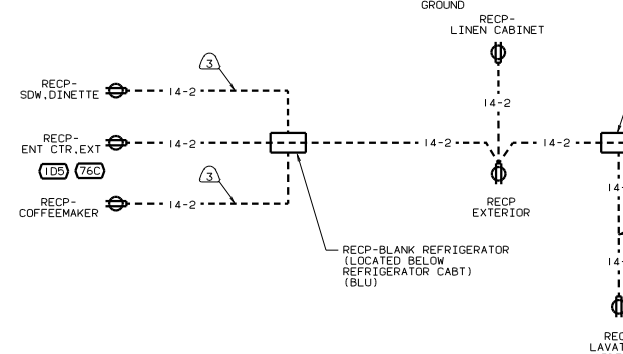
AUTOMATIC TRANSFER SWITCH



8 GRN
 GROUND



WIRE SUPPLIED WITH GENERATOR



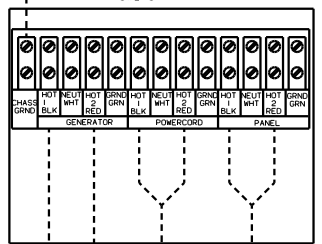
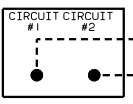
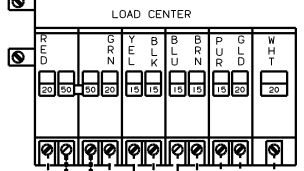
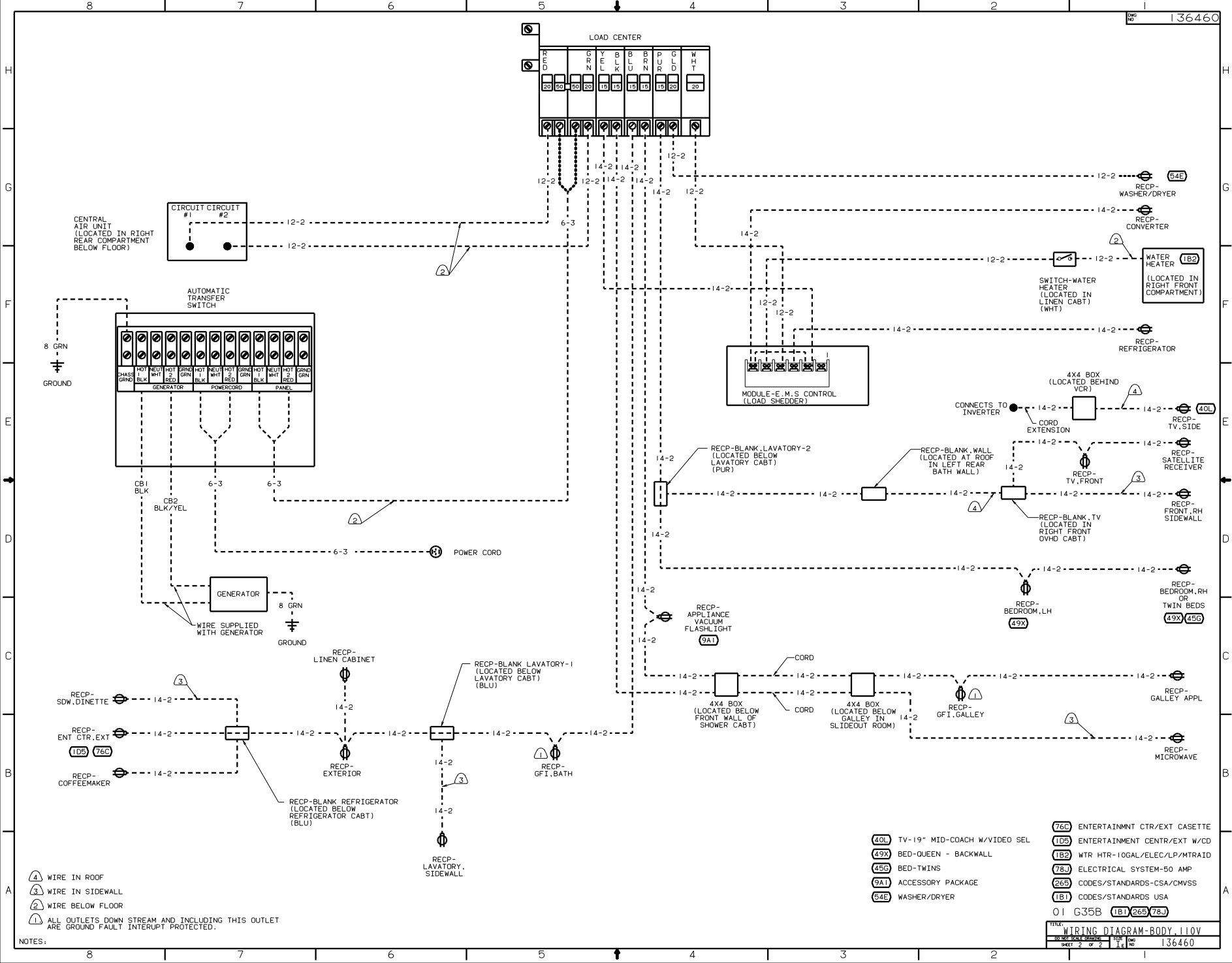
- ④ WIRE IN ROOF
- ③ WIRE IN SIDEWALL
- ② WIRE BELOW FLOOR
- ① ALL OUTLETS DOWN STREAM AND INCLUDING THIS OUTLET ARE GROUND FAULT INTERRUPT PROTECTED.

- ④0L TV-19" MID-COACH W/VIDEO SEL
- ④9X BED-QUEEN - BACKWALL
- ④5B BED-TWINS
- ⑨A1 ACCESSORY PACKAGE
- ⑤4E WASHER/DRYER
- ⑦6C ENTERTAINMENT CTR/EXT CASSETTE
- ①0S ENTERTAINMENT CTR/EXT W/CD
- ④9X WTR HTR-10GAL/ELEC/LP/MTRAIID
- ①2B ELECTRICAL SYSTEM 30 AMP
- ②6S CODES/STANDARDS-CSA/CMVSS
- ①B1 CODES/STANDARDS-USA
- ①B1 ②6S ①2D

WINNEBAGO O1 G358

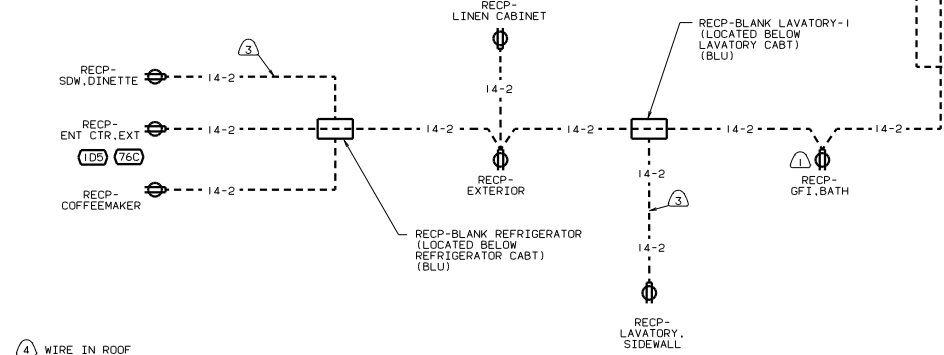
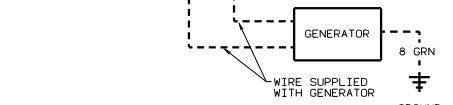
DATE	DESCRIPTION	BY	CHKD

REF: 131753 A 1



CENTRAL AIR UNIT (LOCATED IN RIGHT REAR COMPARTMENT BELOW FLOOR)

8 GRN GROUND



- ④ WIRE IN ROOF
- ③ WIRE IN SIDEWALL
- ② WIRE BELOW FLOOR
- ① ALL OUTLETS DOWN STREAM AND INCLUDING THIS OUTLET ARE GROUND FAULT INTERRUPT PROTECTED.

- ④0L TV-19" MID-COACH W/VIDEO SEL
- ④9X BED-QUEEN - BACKWALL
- ④5G BED-TWINS
- ⑨A1 ACCESSORY PACKAGE
- ⑤4E WASHER/DRYER
- ⑦6S ENTERTAINMNT CTR/EXT CASSETTE
- ①D5 ENTERTAINMENT CTR/EXT W/CD
- ①B2 WTR HTR-10GAL/ELEC/LP/MTRAITD
- ⑦8J ELECTRICAL SYSTEM-50 AMP
- ②65 CODES/STANDARDS-CSA/CMVSS
- ①B1 CODES/STANDARDS USA