



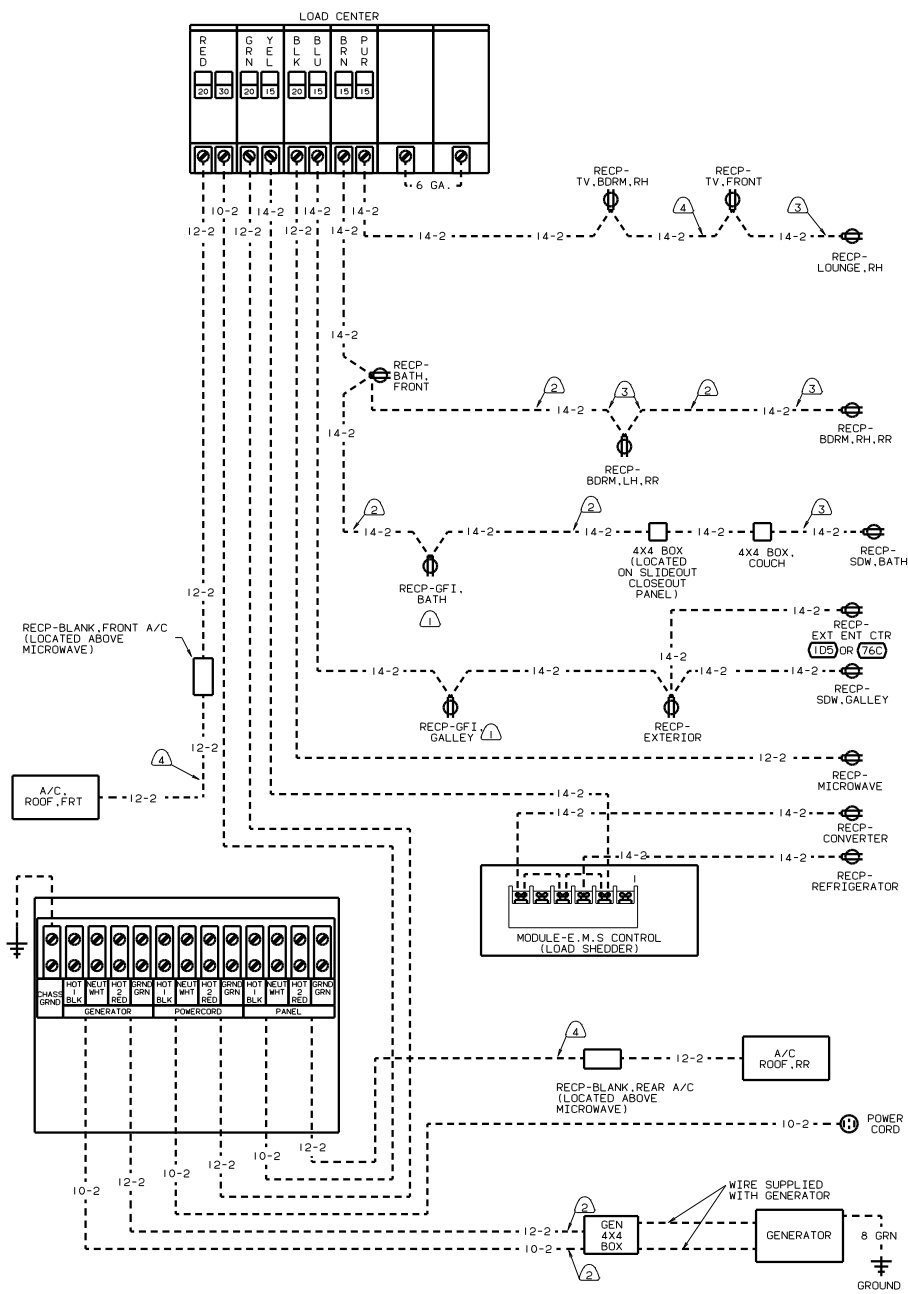
DANGER

Danger of electrical shock, burns or death. Always remove all power sources before attempting any repair, service or diagnostic work. Power can be present from shore power, generator, inverter or battery. All power sources must be disabled and secured before performing any service.



CAUTION

If you lack the skills, tools or equipment to perform diagnostic or repair work leave such work to an authorized Winnebago Industries dealer or other qualified shop.



- ④ WIRE IN ROOF
- ③ WIRE IN SIDEWALL
- ② WIRE BELOW FLOOR
- ① ALL OUTLETS DOWN STREAM AND INCLUDING THIS OUTLET ARE GROUND FAULT CIRCUIT INTERRUPT PROTECTED.

- ⑦6C ENTERTAINMENT CTR/EXT CASSETTE
- ②76 A/C ROOF-HI EFF (2) W/EMS
- ②65 CODES/STANDARDS-CSA/CMVSS
- ①20 ELECTRICAL SYSTEM 30 AMP
- ①05 ENTERTAINMENT CENTR/EXT W/CD
- ①81 CODES/STANDARDS USA

①20 ①81 ②65 ②76

WINNEBAGO O1 F33V

DATE	UNDESIGNED TOLERANCES ARE:	MATERIAL
DATE	WHOLE DIM (IN)	
DATE	ONE-PLACE (IN.XI)	
DATE	TWO-PLACE (IN.XXX)	
DATE	MIXED	
DATE	INDIC. W/ANGLE PROJECTION	
DATE		

LANE# - - - - - TITLE: **WIRING DIAGRAM-BODY, 110V**

REV # SCALE: NONE 30-NO SCALE DRAWING SHEET 1 OF 1 136335

NOTES: