



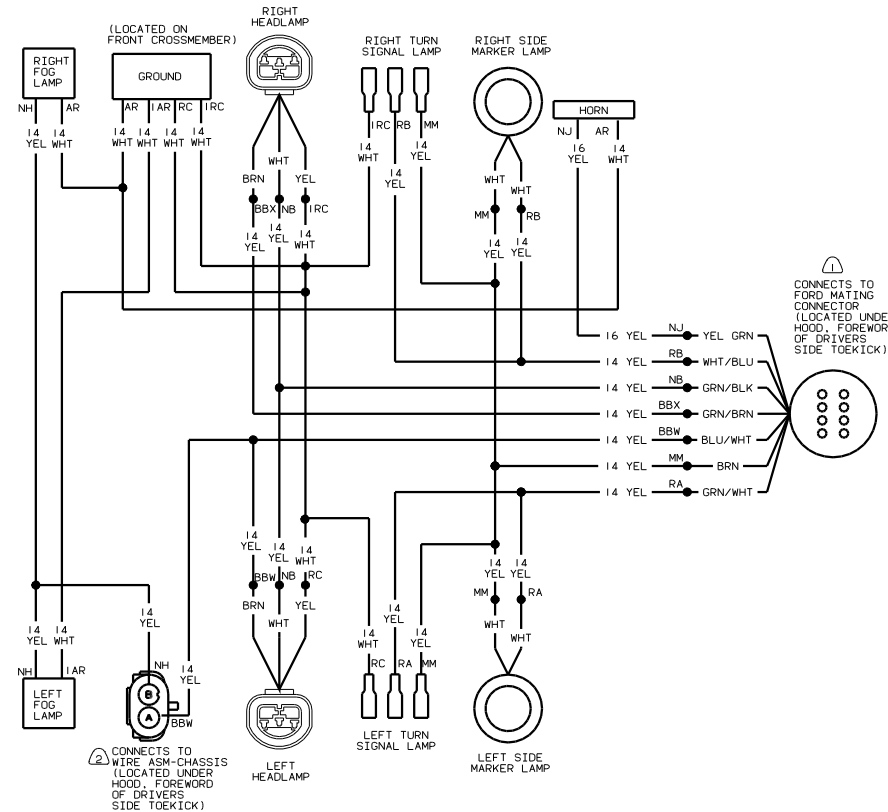
DANGER

Danger of electrical shock, burns or death. Always remove all power sources before attempting any repair, service or diagnostic work. Power can be present from shore power, generator, inverter or battery. All power sources must be disabled and secured before performing any service.



CAUTION

If you lack the skills, tools or equipment to perform diagnostic or repair work leave such work to an authorized Winnebago Industries dealer or other qualified shop.



WIRING DIAGRAM-HEADLAMP
 (FORD CHASSIS)
 (WIRE ASM 126816-04)

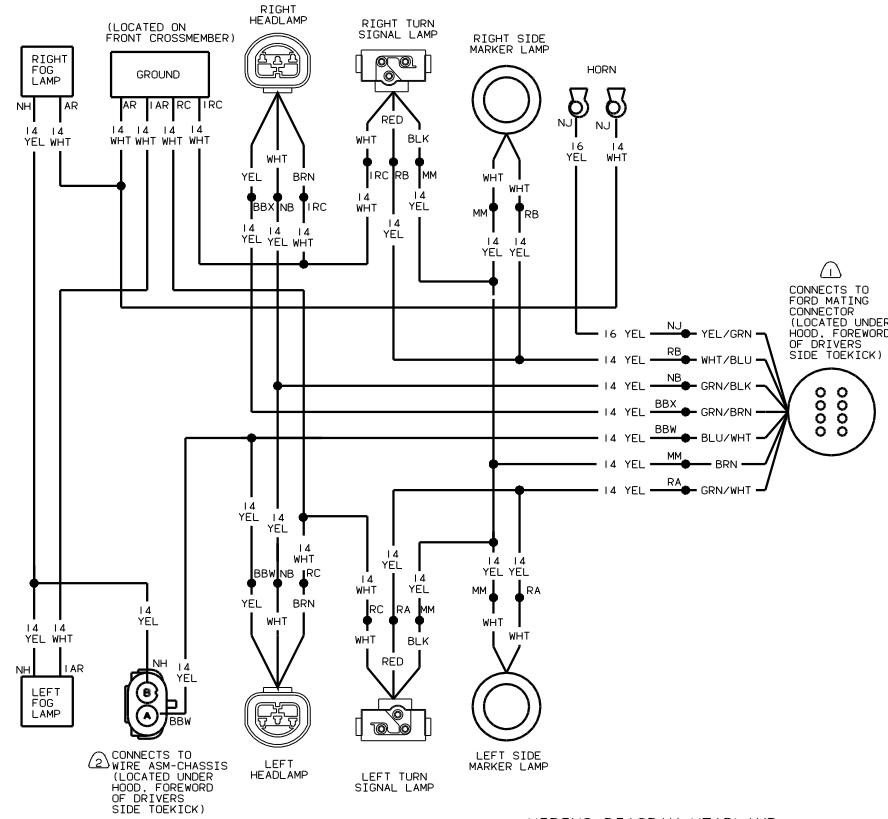
② CONNECTS TO WIRE ASM-CHASSIS (LOCATED UNDER HOOD, FOREWORD OF DRIVERS SIDE TOEKICK)

① CONNECTS TO FORD MATING CONNECTOR (LOCATED UNDER HOOD, FOREWORD OF DRIVERS SIDE TOEKICK)

② SEE WIRING DIAGRAM-BODY FOR ADDITIONAL INFORMATION.
 ① SEE MANUFACTURER'S DIAGRAM FOR ADDITIONAL INFORMATION.

WINNEBAGO

WINNEBAGO		O1 L-SERIES	
QTY IN	DATE	UNSPECIFIED TOLERANCES ARE:	MATERIAL
CHP	DATE	HALF DIM IN	
D/E	DATE	ONE-PLACE IN IN	
D/E	DATE	TWO-PLACE IN IN	
D/E	DATE	ANGLE	
CDR	DATE	THRU HOLE PROJECTION	
LANE	DATE		
REV #	SCALE	NOTE	NO SCALE DRAWING
SHEET 1 OF 3		REF: 135384	

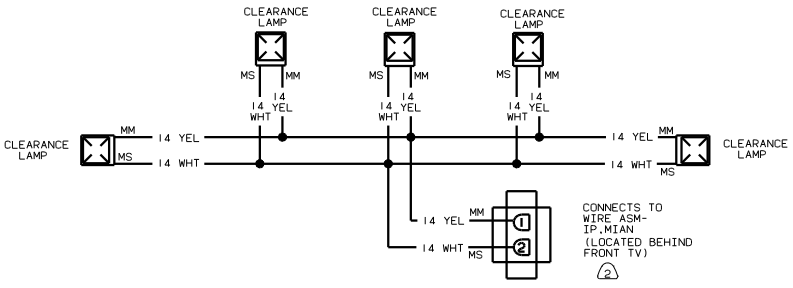


WIRING DIAGRAM-HEADLAMP
 (FORD CHASSIS)
 (WIRE ASM 12665-04)

(2) CONNECTS TO WIRE ASM-CHASSIS (LOCATED UNDER HOOD, FOREWORD OF DRIVERS SIDE TOEKICK)

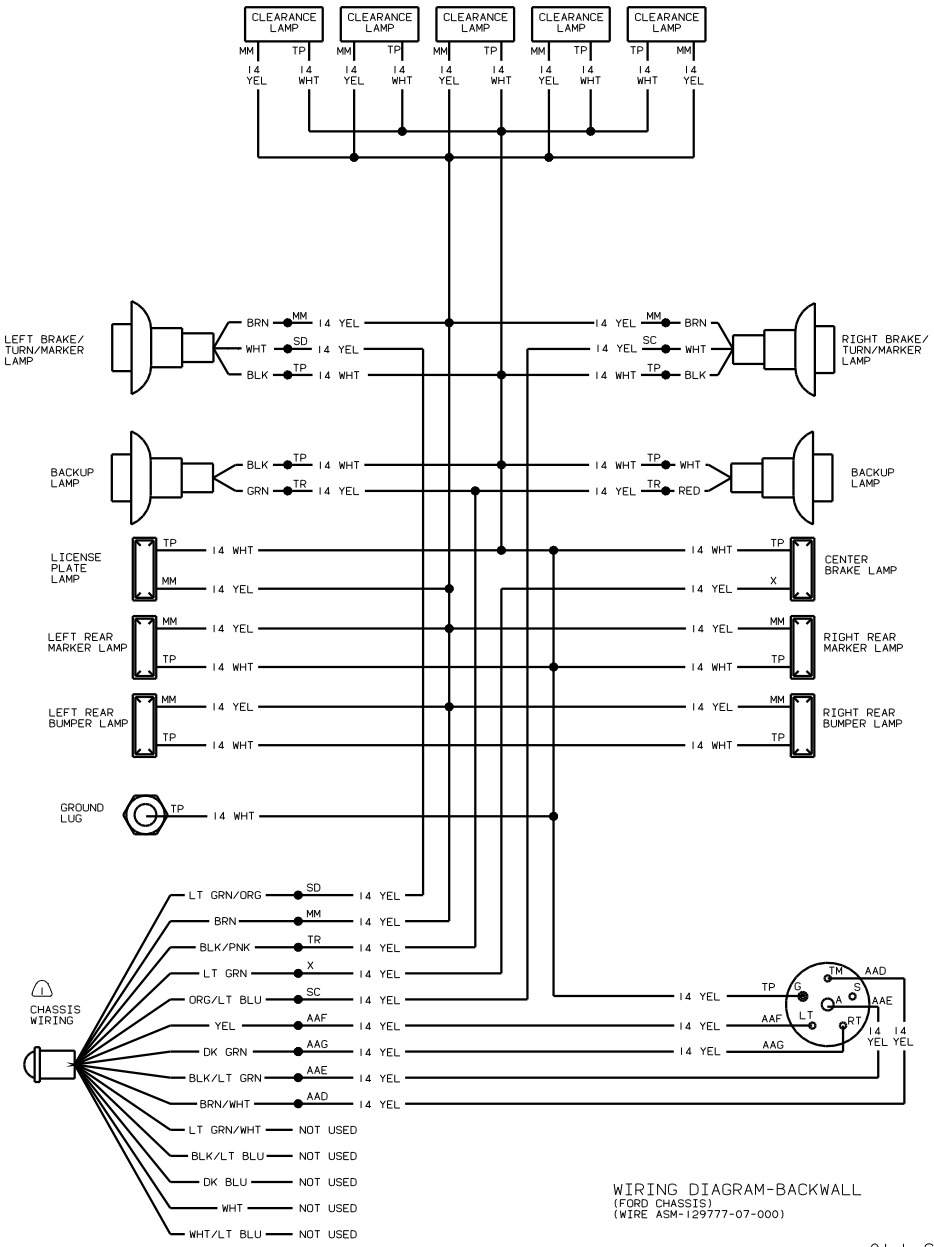
(1) CONNECTS TO FORD MATING CONNECTOR (LOCATED UNDER HOOD, FOREWORD OF DRIVERS SIDE TOEKICK)

(2) SEE WIRING DIAGRAM-AUTO FOR ADDITIONAL INFORMATION.
 (1) SEE MANUFACTURERS DIAGRAM FOR ADDITIONAL INFORMATION.



WIRING DIAGRAM-CLEARANCE LAMPS
(WIRE ASM 126486)

NOTES:
 ① SEE MANUFACTURER'S DIAGRAM FOR ADDITIONAL INFORMATION.
 ② SEE WIRING DIAGRAM-AUTO FOR ADDITIONAL INFORMATION.



WIRING DIAGRAM-BACKWALL
(FORD CHASSIS)
(WIRE ASM-129777-07-000)