



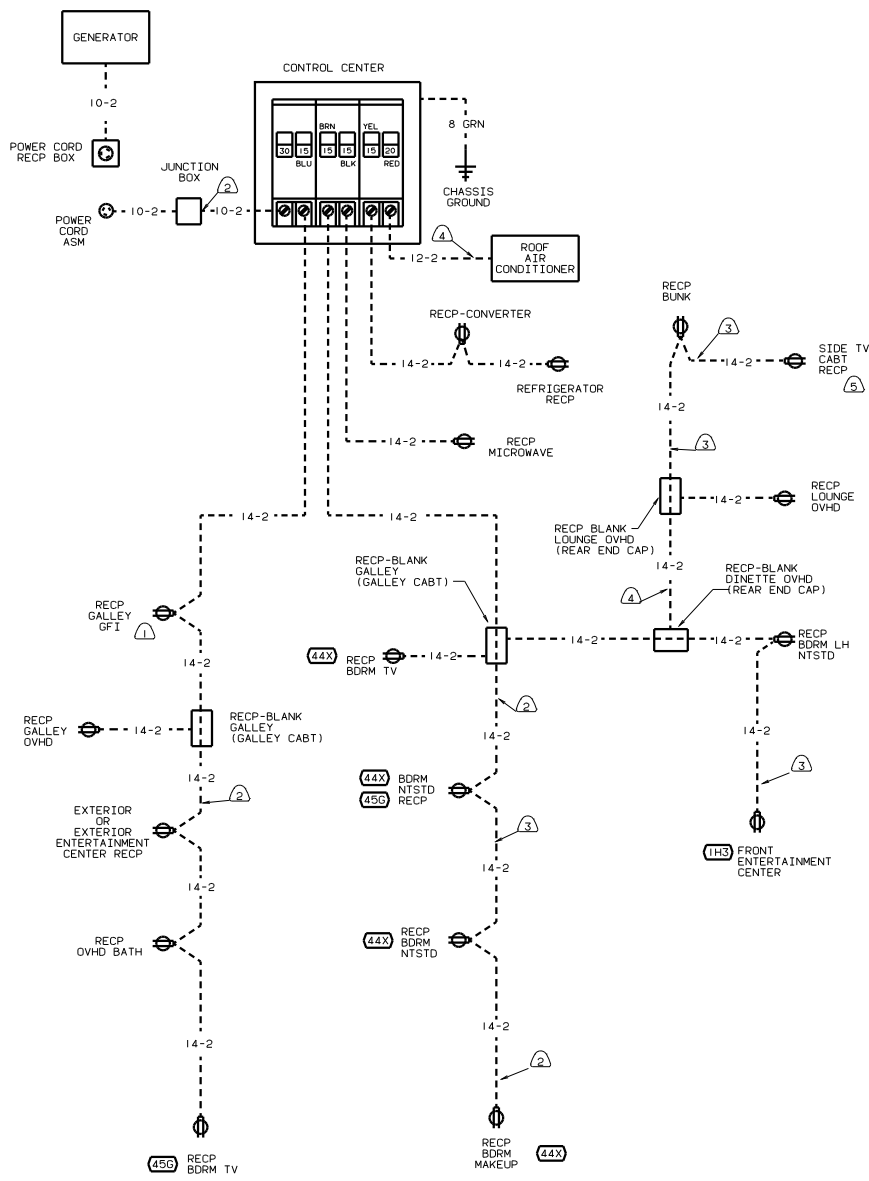
DANGER

Danger of electrical shock, burns or death. Always remove all power sources before attempting any repair, service or diagnostic work. Power can be present from shore power, generator, inverter or battery. All power sources must be disabled and secured before performing any service.



CAUTION

If you lack the skills, tools or equipment to perform diagnostic or repair work leave such work to an authorized Winnebago Industries dealer or other qualified shop.



- NOTES:
- ⑤ NOT USED WITH (1H3) OR (78A)
 - ④ WIRE ROUTED THRU ROOF.
 - ③ WIRE ROUTED THRU SIDEWALL.
 - ② WIRE ROUTED THRU FLOOR.
 - ① ALL OUTLETS DOWN STREAM AND INCLUDING THIS OUTLET ARE GROUND FAULT INTERRUPT PROTECTED.

- (78A) TV-13" W/VCP-12V
- (450) BED-TWINS
- (44X) BED-QUEEN SIDEWALL
- (265) CODES/STANDARDS-CSA/CMVSS
- (120) ELECTRICAL SYSTEM 30 AMP
- (1H3) TV-25"/VIDEO SEL/SGL BUNK
- (1B1) CODES/STANDARDS USA

(1B1) (120) (265)

WINNEBAGO		'01 429U	
OF IN	DATE	UNSPECIFIED TOLERANCES ARE:	MATERIAL
CHP	DATE	WHOLE OR 1/16"	
DR	DATE	ONE-PLACE (1/32)"	
D/E	DATE	TWO-PLACE (1/64)"	
DATE	DATE	ANGLE	
DATE	DATE	THIRD ANGLE	
DATE	DATE	PROJECTION	
TITLE: WIRING DIAGRAM-BODY 110V			
REV	SCALE	NO	DATE
ALL DIMENSIONS ARE IN MILLIMETERS	SHEET 1	OF 1	135284