



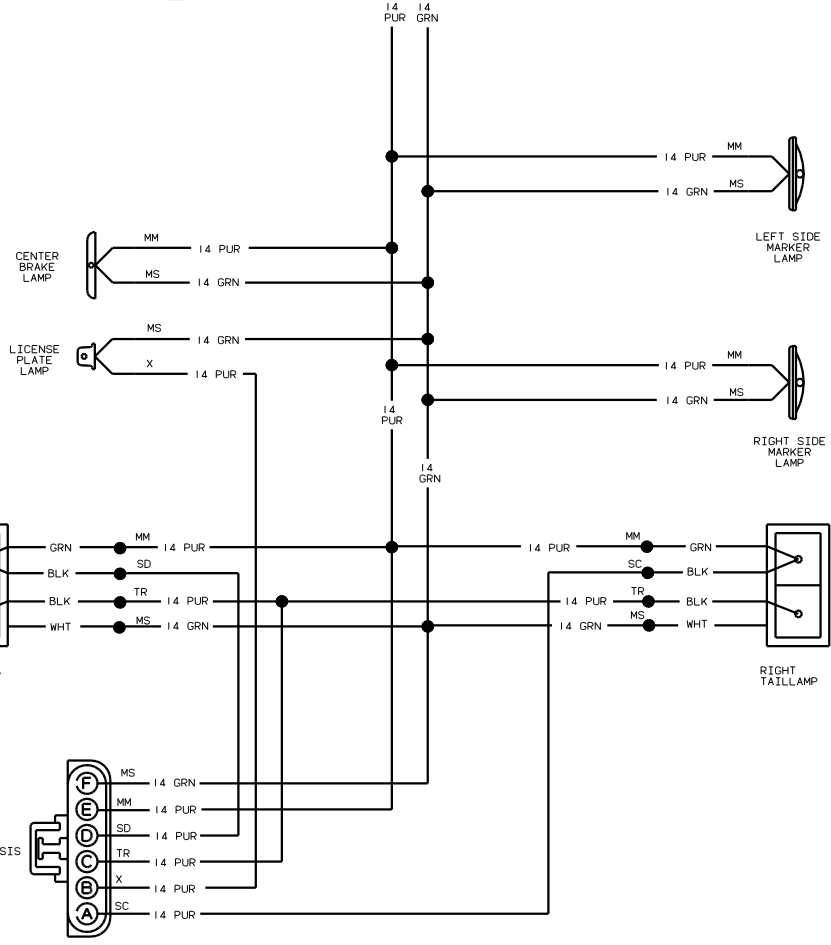
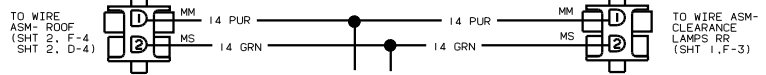
DANGER

Danger of electrical shock, burns or death. Always remove all power sources before attempting any repair, service or diagnostic work. Power can be present from shore power, generator, inverter or battery. All power sources must be disabled and secured before performing any service.

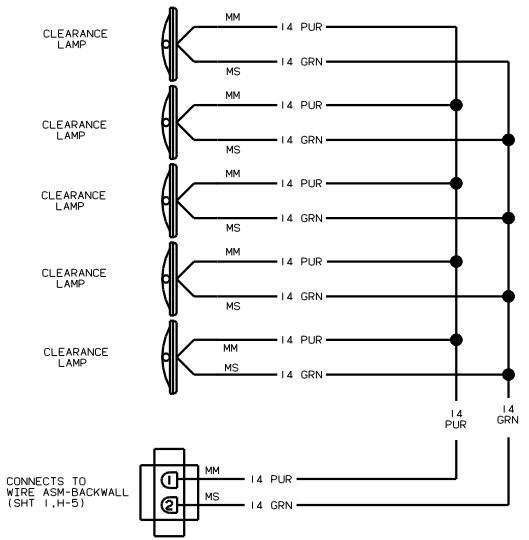


CAUTION

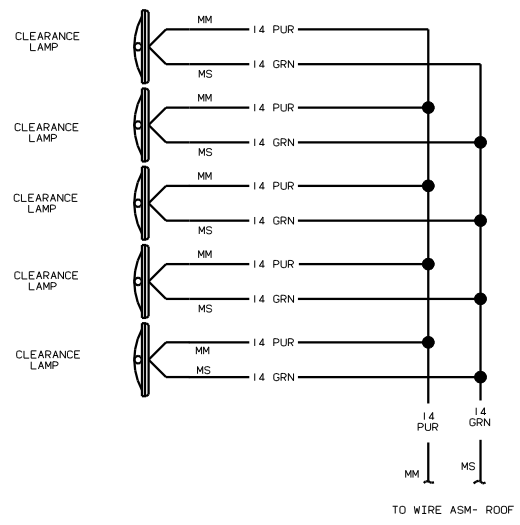
If you lack the skills, tools or equipment to perform diagnostic or repair work leave such work to an authorized Winnebago Industries dealer or other qualified shop.



WIRING DIAGRAM BACKWALL
 (WIRE ASM-132086-01/02 (300)
 OR 132644-01 (400))



FRONT WIRING DIAGRAM
 CLEARANCE LIGHTS
 (WIRE ASM 132085-02)



FRONT WIRING DIAGRAM
 CLEARANCE LIGHTS
 (WIRE ASM 132085-01)

NOTES: SEE MANUFACTURER'S DIAGRAM FOR ADDITIONAL INFORMATION.

OF IN		DATE	UNSPECIFIED TOLERANCES ARE:	INVERTAL
CHP	DATE	WHOLE OR .01	+	
PIE	DATE	ONE-PLACE (0.01)	+	
D/E	DATE	TWO-PLACE (0.001)	+	
COB	DATE	THREE-PLACE	+	
LAYOUT NO.		TITLE		134998
REV #		SCALE	NOTE	NO. OF SHEETS
ALL DIMENSIONS ARE IN MILLIMETERS		SHEET 1 OF 2		134998

WINNEBAGO 01 300/400

REF: 132847

