



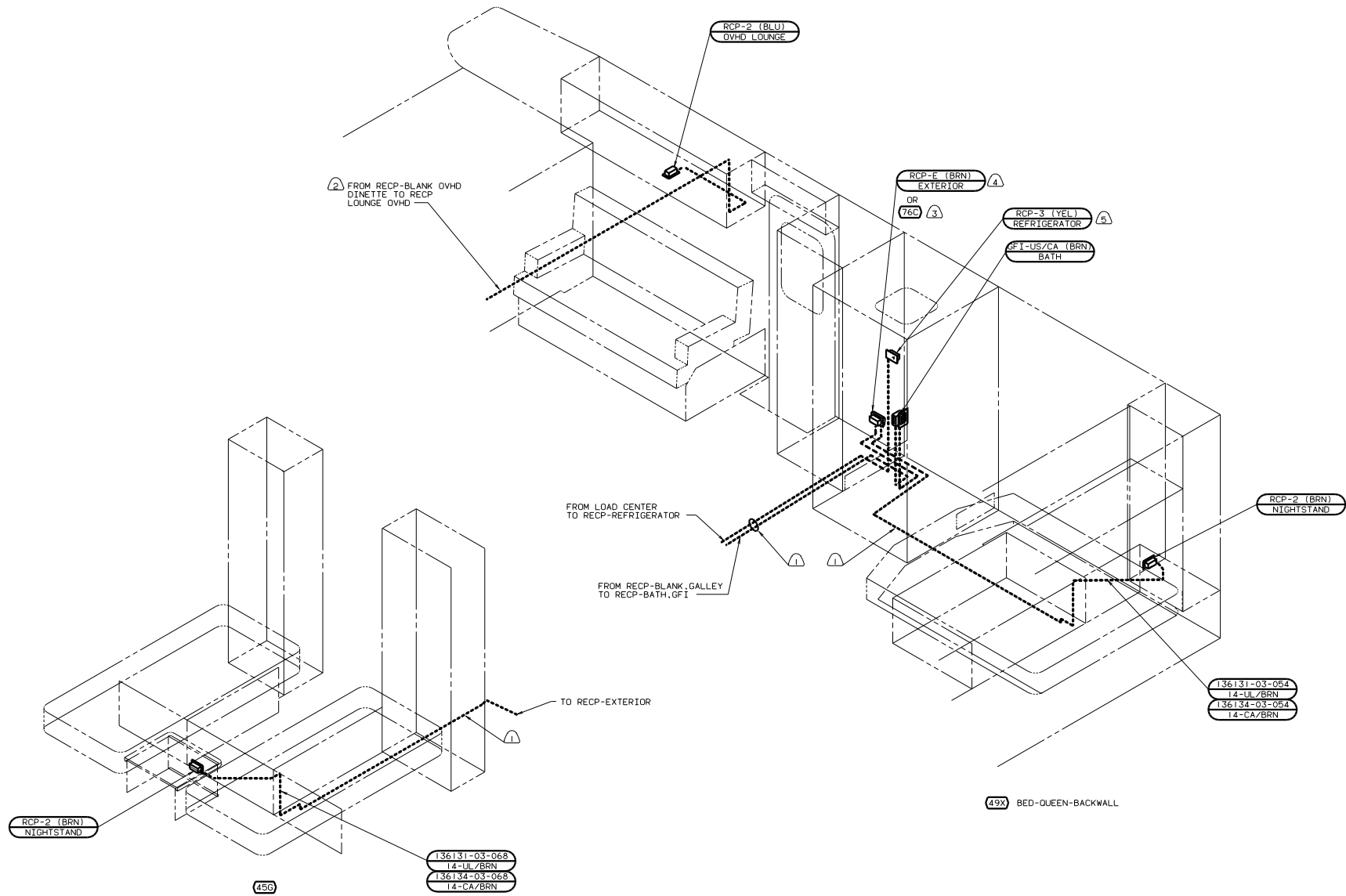
DANGER

Danger of electrical shock, burns or death. Always remove all power sources before attempting any repair, service or diagnostic work. Power can be present from shore power, generator, inverter or battery. All power sources must be disabled and secured before performing any service.



CAUTION

If you lack the skills, tools or equipment to perform diagnostic or repair work leave such work to an authorized Winnebago Industries dealer or other qualified shop.



- ⑤ LOCATE RECEPTACLE ON REFRIGERATOR TIE DOWN BRACKET.
- ④ NOT USED WITH 76C
- ③ SEE ENT CTR INSTL-EXT FOR ADDITIONAL INFORMATION.
- ② WIRE ROUTED IN ROOF.
- ① WIRE ROUTED THRU FLOOR.

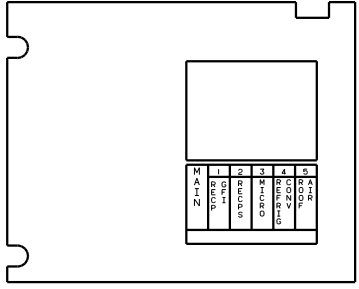
NOTES:

- 76C ENTERTAINMENT CTR/EXT CSETTE
- 49X BED-QUEEN-BACKWALL
- 45G BED-TWINS
- 265 CODES/STANDARDS-CSA/CMVSS
- 12D ELECTRICAL SYSTEM 30 AMP
- 1B1 CODES STANDARDS/USA

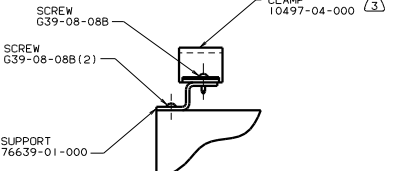
FOR ELECTRICAL TORQUE SPECIFICATIONS SEE DWG NO. 128763-01-000

FOR ELECTRICAL CALLOUTS SEE DWG NO. 121339-01-000

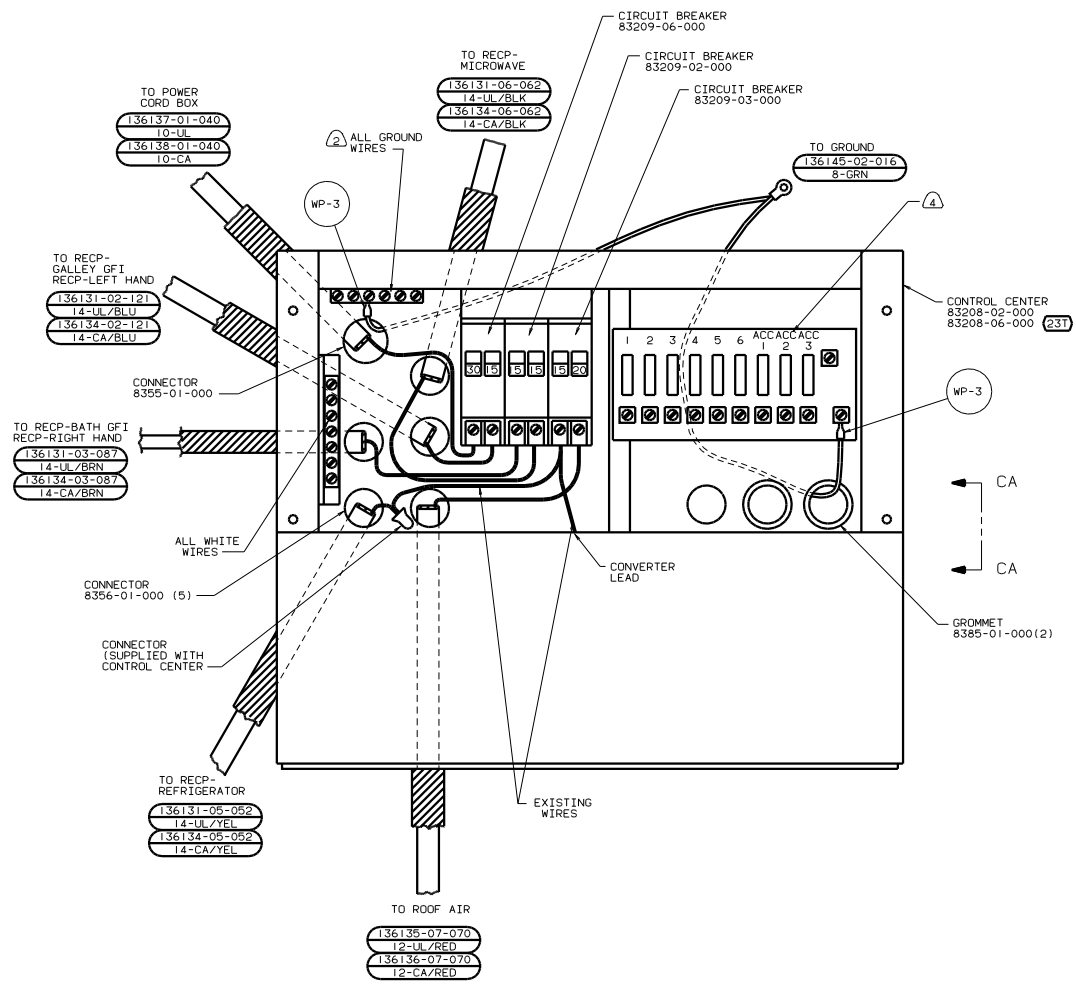
01 329N 1B1 265 12D
 WIRING INSTL-BODY_110 (RH)
 SHEET 2 OF 4



PANEL-COVER



VIEW CA-CA



- ④ SEE WIRING INSTALLATION BODY, I2V FOR ADDITIONAL INFORMATION.
- ③ FASTEN ALL WIRES TO SUPPORT, USE ONE SCREW PER CLAMP.
- ② ALL GROUND WIRES TO BE COVERED WITH TUBING 8041-02-000.
- ① ALL CABLES SHALL BE COVERED WITH CONDUIT-CONVOLUTE SLIT 41953-01-000 UNLESS OTHERWISE SPECIFIED, 600 LESS THAN CABLE LENGTH.

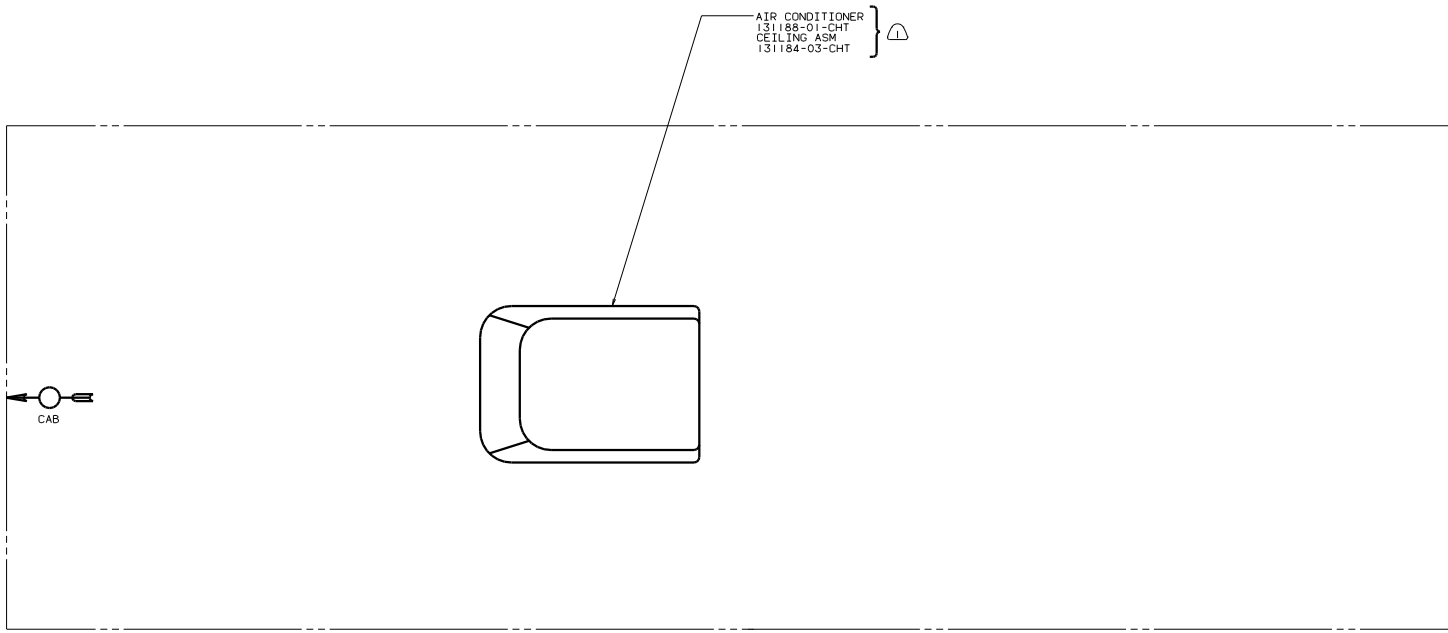
- (265) CODES/STANDARDS-CSA/CMVSS
- (23T) HEATED HOLDING TANKS-PACKAGE
- (12D) ELECTRICAL SYSTEM 30 AMP
- (1B1) CODES/STANDARDS USA

FOR ELECTRICAL TORQUE SPECIFICATIONS SEE DWG NO. 128783-01-000

FOR ELECTRICAL CALL-OUTS SEE DWG NO. 121339-01-000

01 329N (1B1) (265) (12D)

FILE NO.	134970
DWG NO.	134970
SHEET	3 of 4



- (265) CODES/STANDARDS-CSA/CMVSS
- (250) A/C ROOF AIR (1) 14,800 BTU
- (181) CODES/STANDARDS USA

01 329N (181) (265) (250)

SEE WIRING INSTL-BODY, 12V FOR ADDITIONAL INFORMATION.

TITLE		DRAWING NO.	
WIRING INSTL-BODY, 110V (EXT)		134970	
SHEET 4 OF 4		1.E	