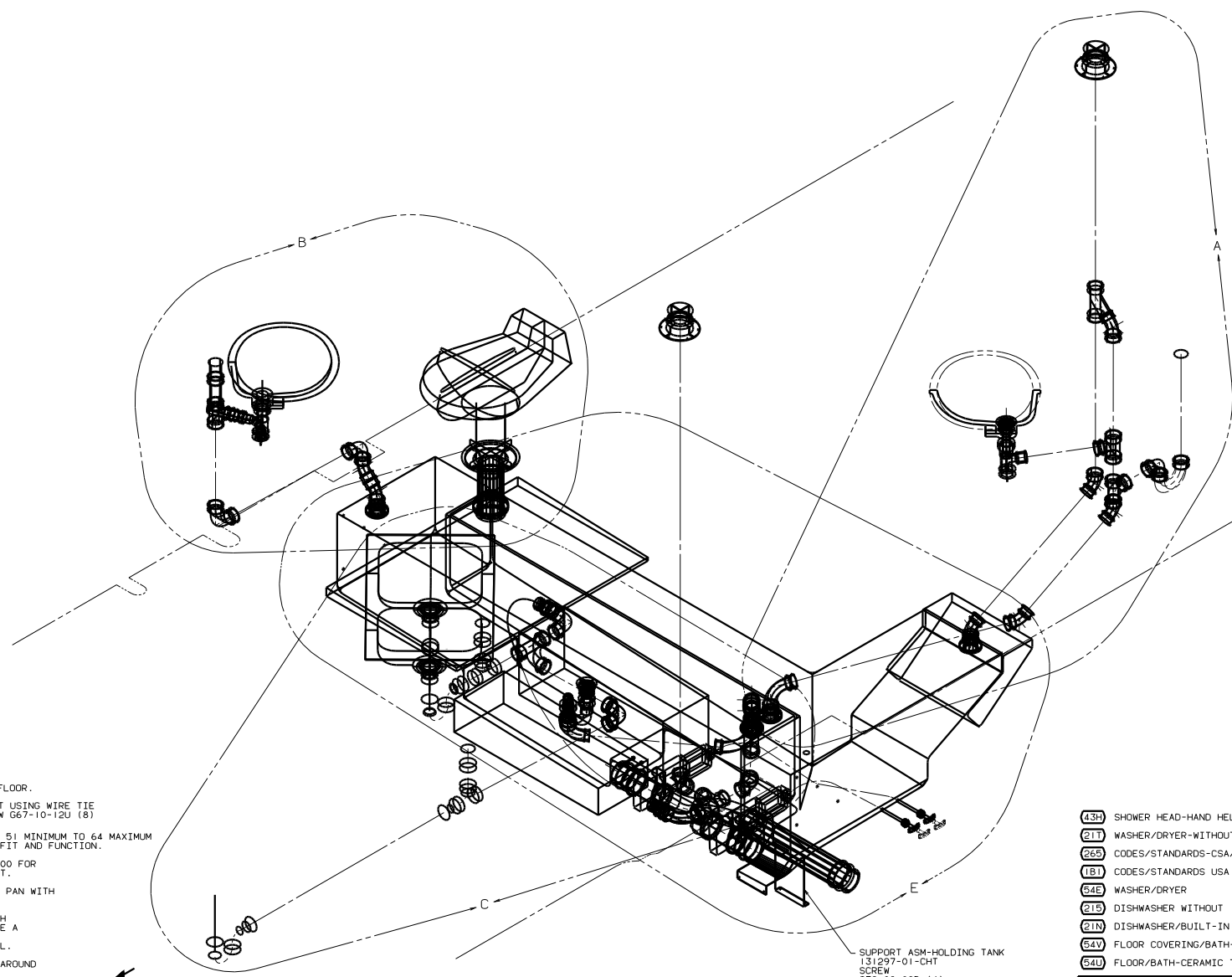


DWG NO	MODEL
135148-01	Q40J
135148-02	Q40JD
135148-03	Q40WD



- ⑫ USE WITH Q40J.
  - ⑪ USE WITH Q40JD.
  - ⑩ SECURE DRAIN TUBES TO FLOOR.
  - ⑨ SECURE PIPES TO CABINET USING WIRE TIE 108046-02-000 AND SCREW G67-10-12U (8)
  - ⑧ VENT PIPE MUST PROJECT 51 MINIMUM TO 64 MAXIMUM ABOVE ROOF FOR PROPER FIT AND FUNCTION.
  - ⑦ SEE DRAWING 61607-01-000 FOR INSTALLATION OF GROMMET.
  - ⑥ SEAL ALL AROUND SHOWER PAN WITH SILICONE 78474-01-CHT.
5. FOR CANADIAN UNITS EACH HOLDING TANK SHALL HAVE A CSA APPROVAL STAMPED NEAR THE IAMPO APPROVAL.
4. ALL EXTERIOR OPENINGS AROUND PIPE TO BE SEALED WITH 69637-01-000
3. ALL PIPE AND FITTINGS TO BE ASSEMBLED WITH SOLVENT 4020-01-000
2. SLOPE OF TRAP MUST BE 6 PER 300 MINIMUM.
1. SLOPE OF HORIZONTAL PIPING TO BE 6 PER 300 MINIMUM.

- ④.3H SHOWER HEAD-HAND HELD
- ②.1T WASHER/DRYER-WITHOUT
- ②.CB CODES/STANDARDS-CSA/CMVSS
- ①.B1 CODES/STANDARDS USA
- ⑤.4E WASHER/DRYER
- ②.1B DISHWASHER WITHOUT
- ②.1W DISHWASHER/BUILT-IN
- ⑤.4V FLOOR COVERING/BATH-VINYL
- ⑤.4U FLOOR/BATH-CERAMIC TILE

SUPPORT ASM-HOLDING TANK  
 131297-01-CHT  
 SCREW  
 639-08-088 (4)



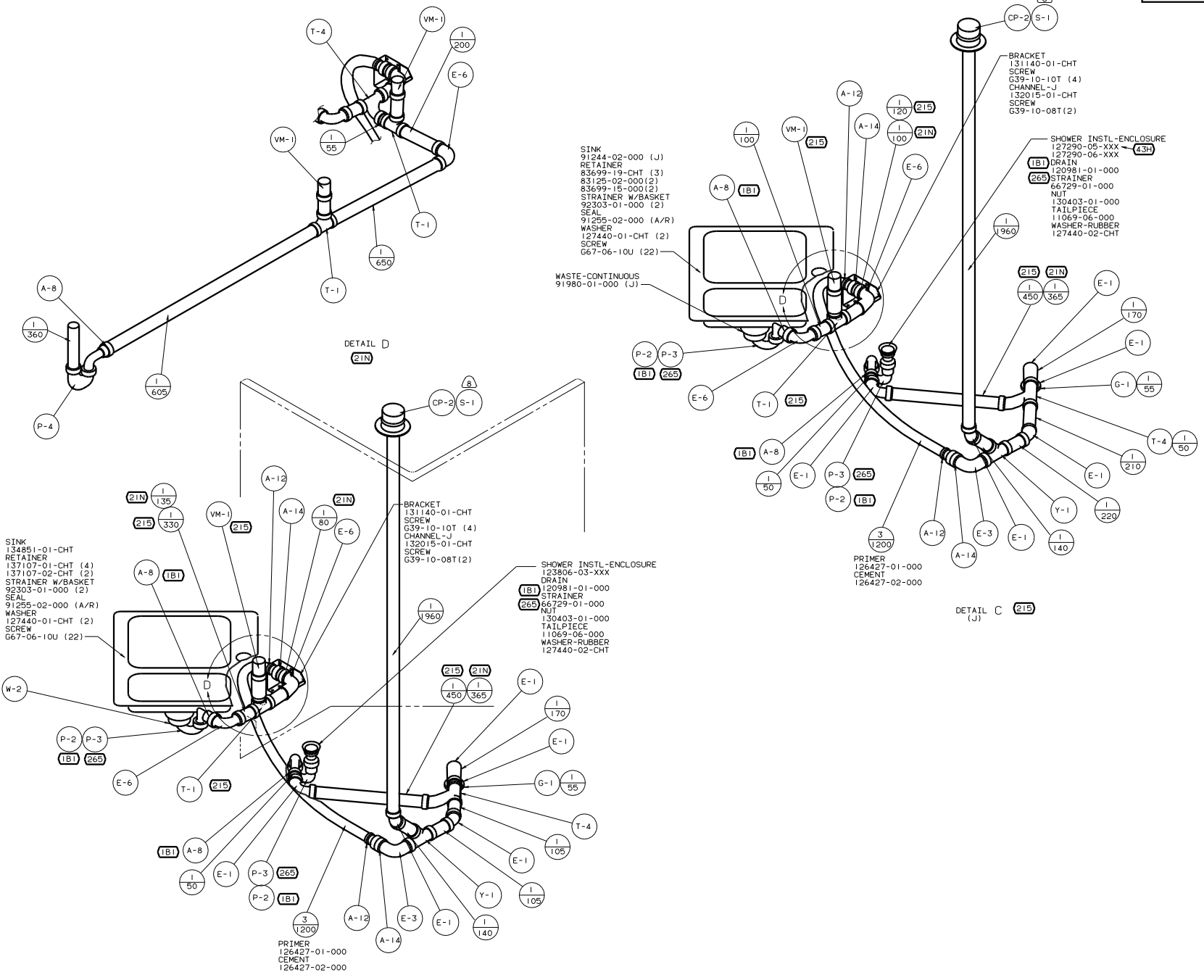
FOR DRAINAGE CALLOUTS SEE DWG NO. 116229-01-000

DATE		UNSPECIFIED TOLERANCES ARE:		MATERIAL	
DATE	DATE	WHOLE DIM (IN)	FRACTION	DATE	DATE
DATE	DATE	ONE-PLACE (IN.XX)	INCHES	DATE	DATE
DATE	DATE	TWO-PLACE (IN.XXX)	MILLIMETERS	DATE	DATE
DATE	DATE	THREE-PLACE (IN.XXX)	MILLIMETERS	DATE	DATE
DATE	DATE	FOUR-PLACE (IN.XXXX)	MILLIMETERS	DATE	DATE

DRAWING NO: 135148  
 TITLE: DRAINAGE SYSTEM INSTL  
 SHEET 1 OF 4  
 DATE: 11/11/13







- SINK 91244-02-000 (J)
- RETAINER 83699-19-CHT (3)
- 83128-02-000(2)
- 83699-15-000(2)
- STRAINER W/BASKET 92303-01-000 (2)
- SEAL 91255-02-000 (A/R)
- WASHER 127440-01-CHT (2)
- SCREW 667-06-10U (22)

- WASTE-CONTINUOUS 91980-01-000 (J)

- BRACKET 131140-01-CHT
- SCREW G39-10-10T (4)
- CHANNEL-J 132015-01-CHT
- SCREW G39-10-08T (2)

- SHOWER INSTL-ENCLOSURE 127290-05-XXX
- DRAIN 127290-06-XXX
- STRAINER 120981-01-000
- NUT 66729-01-000
- 130403-01-000
- TAILPIECE 11069-06-000
- WASHER-RUBBER 127440-02-CHT

- SINK 134851-01-CHT
- RETAINER 137107-01-CHT (4)
- 137107-02-CHT (2)
- STRAINER W/BASKET 92303-01-000 (2)
- SEAL 91255-02-000 (A/R)
- WASHER 127440-01-CHT (2)
- SCREW 667-06-10U (22)

- SHOWER INSTL-ENCLOSURE 123806-03-XXX
- DRAIN 120981-01-000
- STRAINER 66729-01-000
- NUT 130403-01-000
- TAILPIECE 11069-06-000
- WASHER-RUBBER 127440-02-CHT

- PRIMER 126427-01-000
- CEMENT 126427-02-000

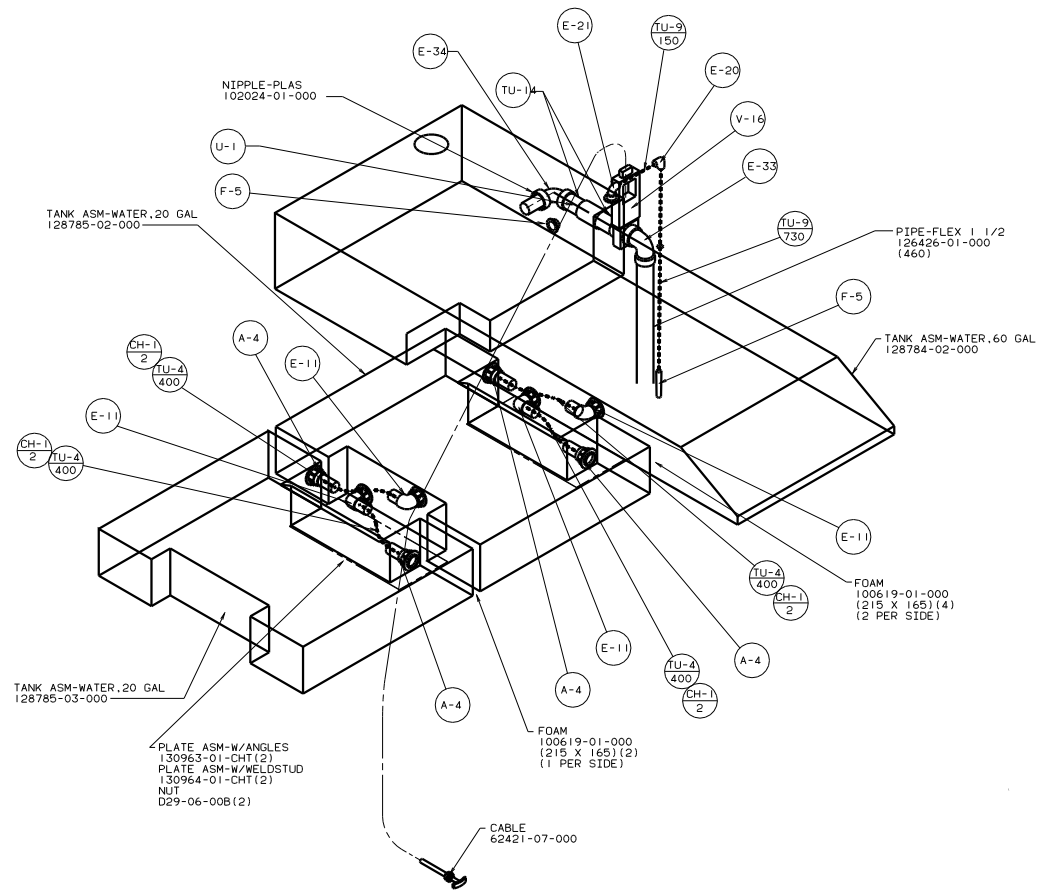
DETAIL D (21N)

DETAIL C (21B)

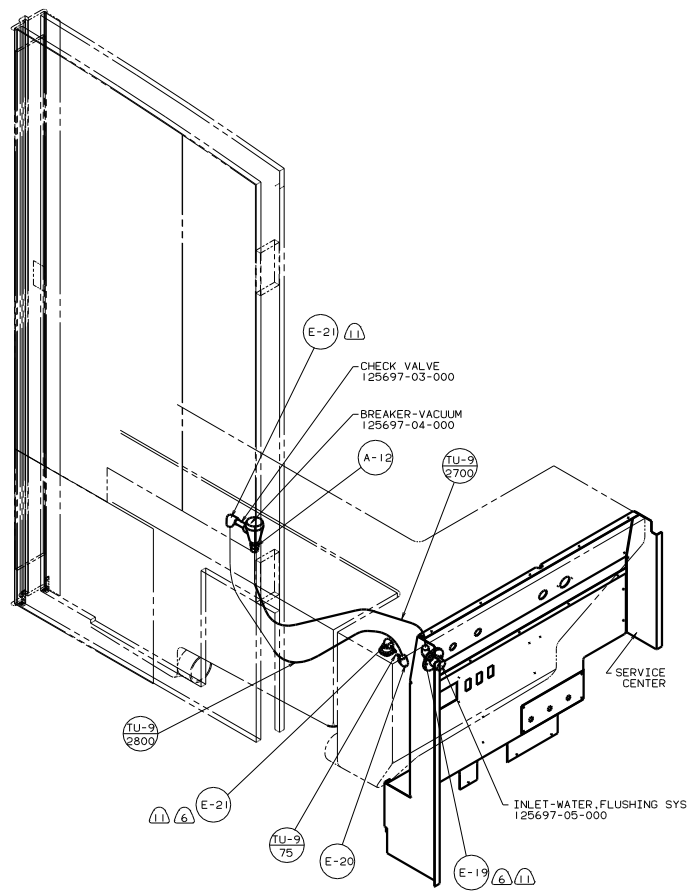
DETAIL C (21B) (WD. JD.)

DETAIL C (21B) (J)





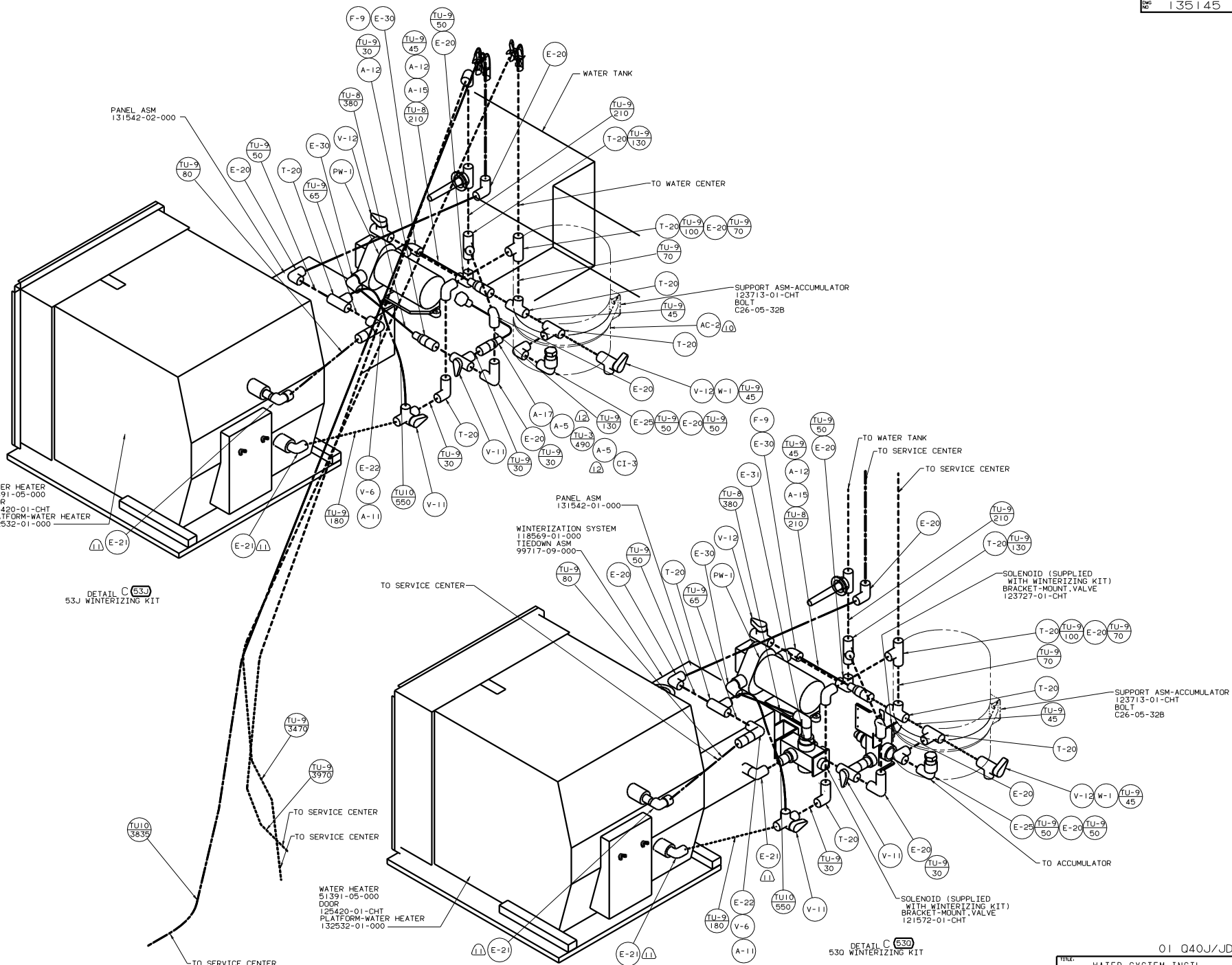
DETAIL A



DETAIL B  
FLUSHING SYSTEM

01 Q40J/JD

TITLE		WATER SYSTEM INSTL	
30	NO SCALE DRAWING	1/8"	1/4"
SHEET	2 OF 8	FIG	1 E
		135145	



PANEL ASM  
131542-02-000

WATER TANK

TO WATER CENTER

SUPPORT ASM-ACCUMULATOR  
123713-01-CHT  
BOLT  
C26-05-32B

WATER HEATER  
51391-05-000  
DOOR  
125420-01-CHT  
PLATFORM-WATER HEATER  
132532-01-000

PANEL ASM  
131542-01-000  
WINTERIZATION SYSTEM  
118569-01-000  
TIEDOWN ASM  
99717-09-000

TO WATER TANK  
TO SERVICE CENTER

DETAIL C (33)  
53J WINTERIZING KIT

TO SERVICE CENTER

SOLENOID (SUPPLIED  
WITH WINTERIZING KIT)  
BRACKET-MOUNT, VALVE  
123727-01-CHT

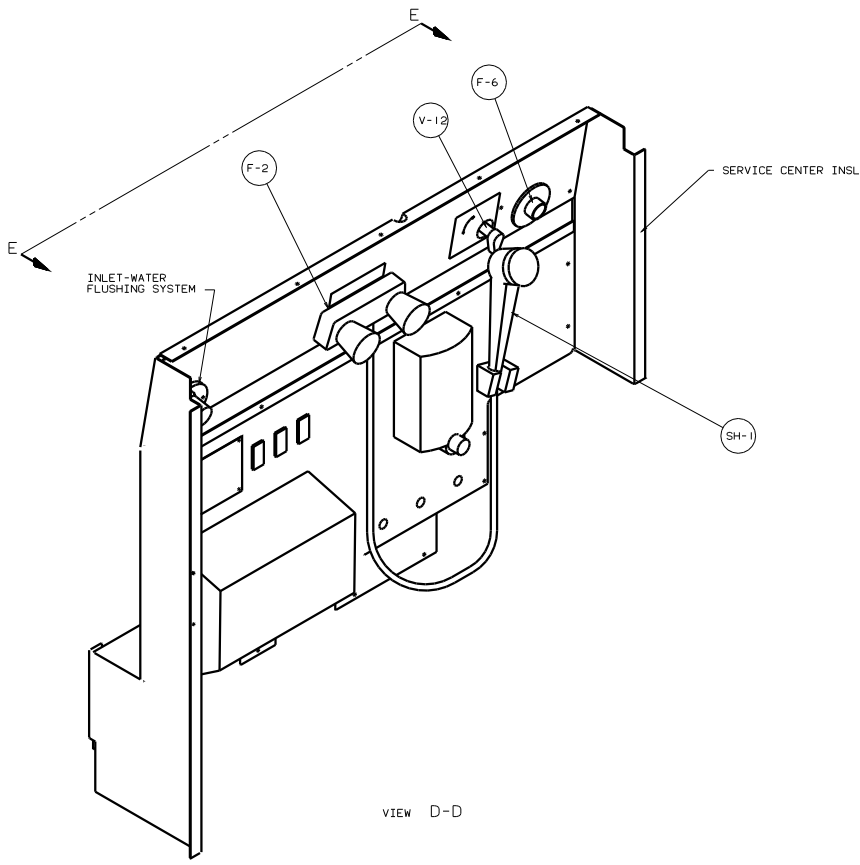
WATER HEATER  
51391-05-000  
DOOR  
125420-01-CHT  
PLATFORM-WATER HEATER  
132532-01-000

SUPPORT ASM-ACCUMULATOR  
123713-01-CHT  
BOLT  
C26-05-32B

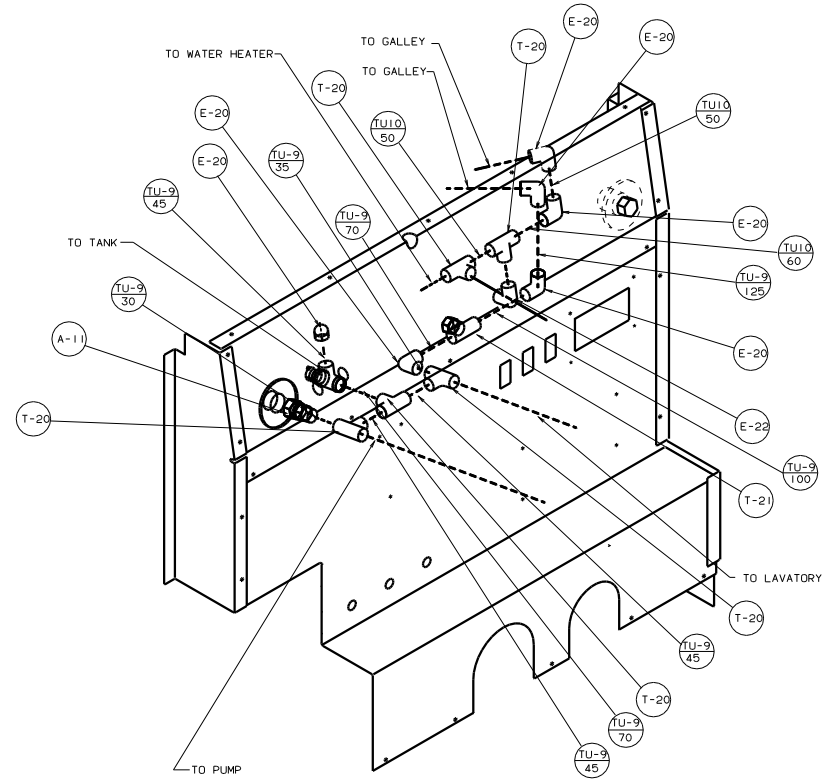
WATER HEATER  
51391-05-000  
DOOR  
125420-01-CHT  
PLATFORM-WATER HEATER  
132532-01-000

SOLENOID (SUPPLIED  
WITH WINTERIZING KIT)  
BRACKET-MOUNT, VALVE  
121572-01-CHT

DETAIL C (33)  
53O WINTERIZING KIT

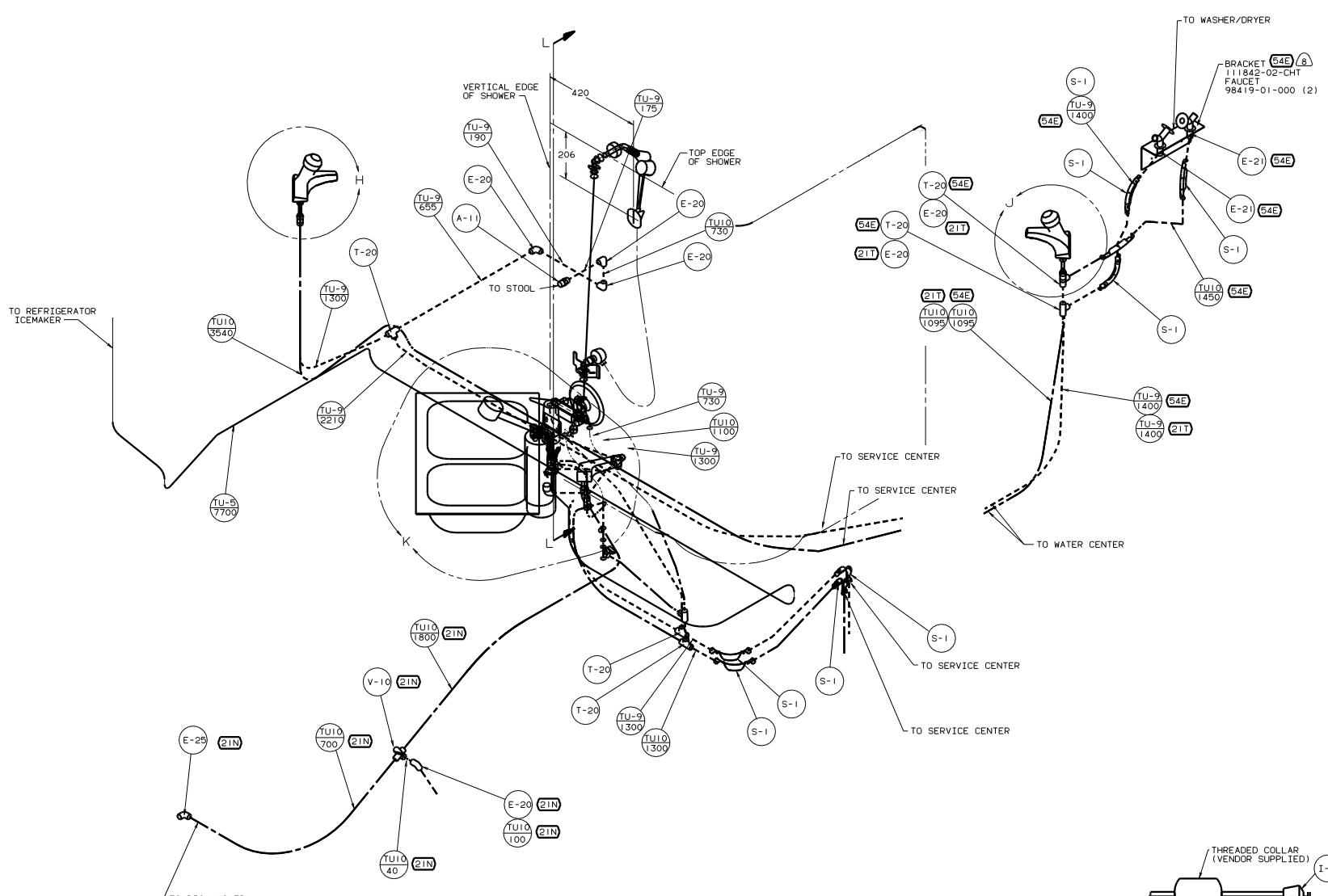


VIEW D-D

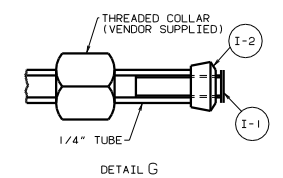


VIEW E-E

01 Q40J/JD	
TITLE: WATER SYSTEM INSL	
NO. OF SHEETS	TOT. SHEETS
4 OF 8	16
135145	



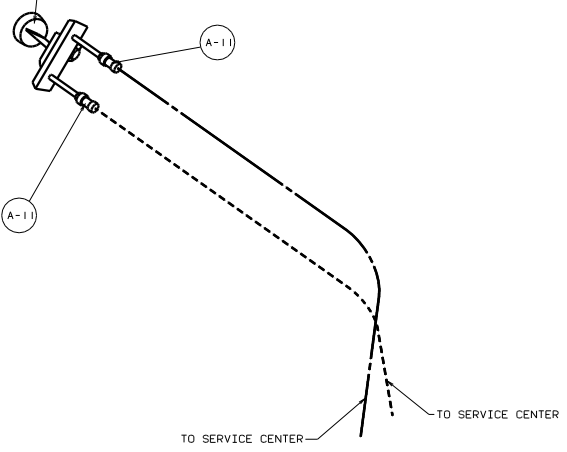
DETAIL F



DETAIL G

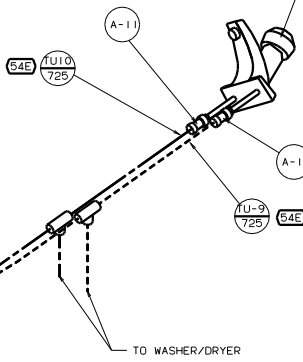
TITLE		01 Q40J/JD	
WATER SYSTEM INSTL			
NO. OF SHEETS	SHEET NO.	TOTAL SHEETS	FIG. NO.
5	5	8	135145

FAUCET  
128997-01-CHT (40J)  
FAUCET  
134735-01-CHT (40JD,40WD)  
POP UP FAUCET  
110760-04-000 (JD,WD)



DETAIL H

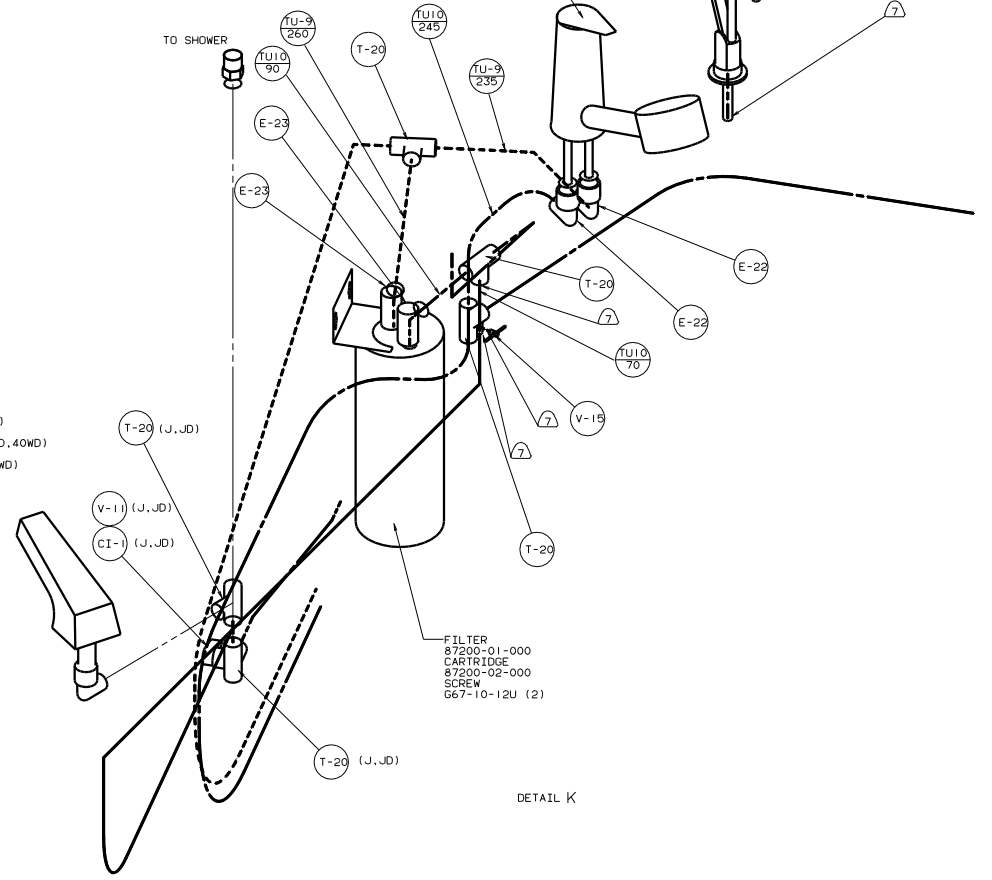
FAUCET  
128997-01-CHT (40J)  
FAUCET  
134735-01-CHT (40JD,40WD)  
POP UP FAUCET  
110760-04-000 (JD,WD)



DETAIL J

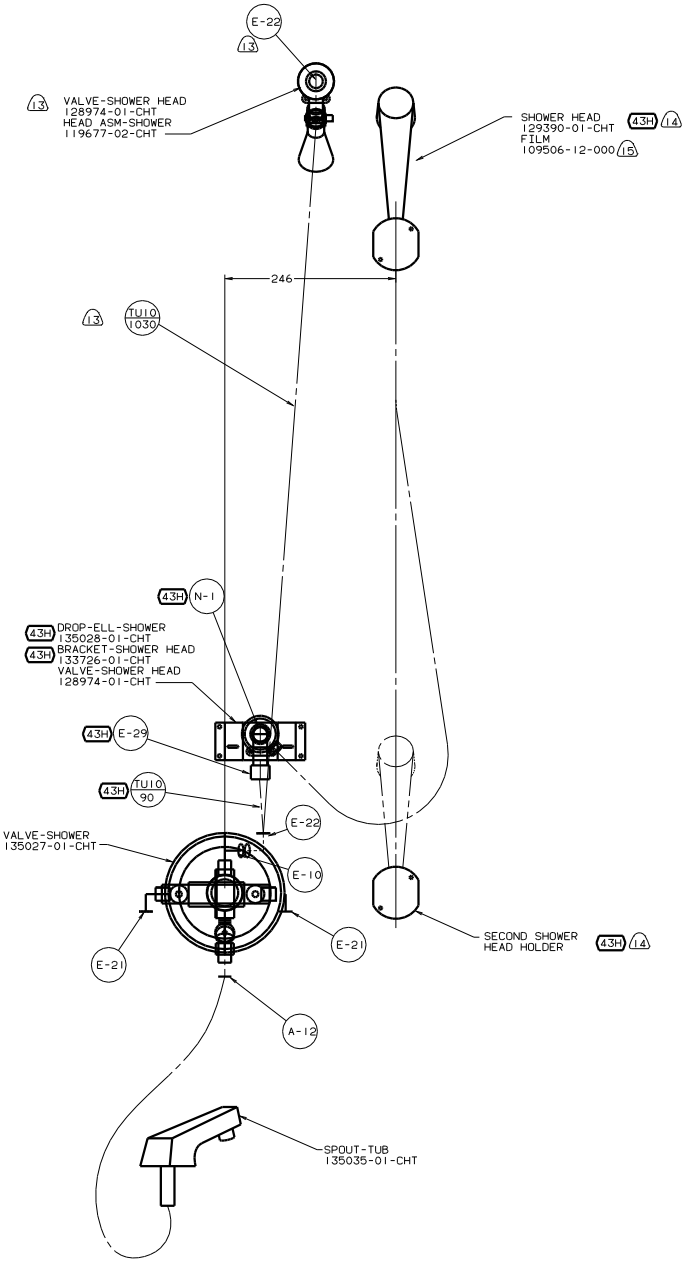
FAUCET  
123744-03-CHT (40J)  
123744-01-CHT (40JD,40WD)

FAUCET  
103635-01-000 (40J)  
103635-02-000 (40JD,40WD)



DETAIL K





VIEW L-L

01 Q40J/JD/WD

TITLE		WATER SYSTEM INSTL	
DATE	BY	CHK	APP
11/11/05	J.E.		
SHEET 8 of 8		135145	