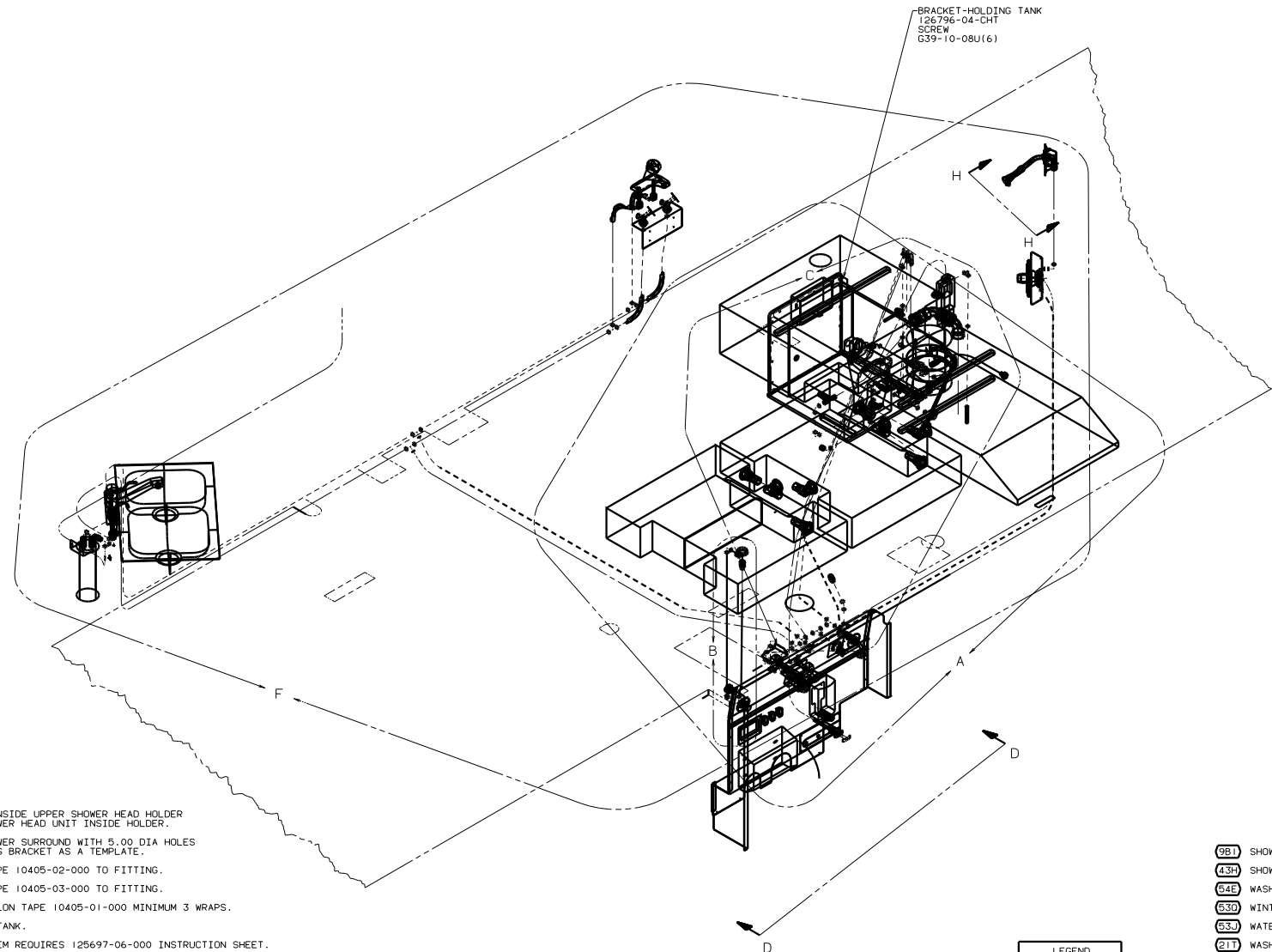


DETAIL D

01 Q36C

TITLE: DRAINAGE SYSTEM INSTL		DWG NO: 135150	
DATE: 3/03	BY: J.E.	CHECKED: J.E.	SCALE: 1/8"
SHEET 3 OF 3		JOB NO: 135150	



- 11. APPLY DECAL INSIDE UPPER SHOWER HEAD HOLDER TO RETAIN SHOWER HEAD UNIT INSIDE HOLDER.
 - 10. PRE DRILL SHOWER SURROUND WITH 5.00 DIA HOLES USING MOUNTING BRACKET AS A TEMPLATE.
 - 9. ADD TEFLON TAPE 10405-02-000 TO FITTING.
 - 8. ADD TEFLON TAPE 10405-03-000 TO FITTING.
 - 7. WRAP WITH TEFLON TAPE 10405-01-000 MINIMUM 3 WRAPS.
 - 6. INSTALL WITH TANK.
 - 5. FLUSHING SYSTEM REQUIRES 125697-06-000 INSTRUCTION SHEET.
 - 4. USE DETAIL "Q" IN THIS AREA (BOTH ENDS OF TUBING).
3. ALL TUBING TO BE SECURED AT 1200 INTERVALS MAXIMUM WITH CLAMP 10495-01-000 OR CLIP 91951-01-000 AND SCREW G67-10-12B.
 2. TUBING TO BE INSTALLED WITH SUFFICIENT SLOPE TO PROVIDE DRAINAGE TO NEAREST VALVE.
 1. PLASTIC FITTINGS TO BE SEALED WITH SEALANT 84456-01-000.

- 981 SHOWER PACKAGE
- 43H SHOWER HEAD-HAND HELD
- 64E WASHER/DRYER
- 530 WINTERIZING KIT
- 630 WATER HEATER BY-PASS-VALVE
- 211 WASHER/DRYER-WITHOUT

LEGEND	
HOT	—————●—————
COLD	—————○—————

(X-X)
FOR WATER CALL-OUTS SEE DWG NO. 116230-01-000

		01 G36C	
QTY	DATE	UNSPECIFIED TOLERANCES ARE:	MATERIAL
CHP	DATE	WHOLE OR .01	F
FPE	DATE	ONE-PLACE (X.X1)	.
FVE	DATE	TWO-PLACE (X.XX)	.
CDHP	DATE	THIRD PLACE (X.XXX)	.
	DATE	PRODUCTION	
LANE#	036C	TITLE	WATER SYSTEM INSTL
DWG #	SCALE	NOTE	NO. OF SHEETS
ALL DIMENSIONS ARE IN MILLIMETERS	SHEET	1 OF 5	135147

NIPPLE-PLAS
102024-01-000

E-34

TU1A
100

E-21

TU-9
150

E-20

V-16

E-33

U-1

F-5

PIPE-FLEX 1 1/2
126426-01-000
(460)

TU-9
730

TANK ASM-WATER, .60 GAL
128784-02-000

TANK ASM-WATER, .20 GAL
128785-02-000

F-5

A-4

FOAM
100619-01-000
(215 X 165) (4)
(2 PER SIDE)

CH-1 TU13
2 400

A-4

E-11

CH-1 TU13
2 400

E-11

E-11

A-4

TU13 CH-1
400 2

A-4

CH-1
2

TANK ASM-WATER, .20 GAL
128785-03-000

A-4

FOAM
200619-01-000
(215 X 165) (2)
(1 PER SIDE)

PLATE ASM-W/HOLES
130963-01-CHT (2)
PLATE ASM-W/WELD STUD
130964-01-CHT (2)
NUT-HEX W/NYLON LOK
D29-06-00B (2)

CABLE
62421-07-000

DETAIL A

E-21 (9)

CHECK VALVE
125697-03-000

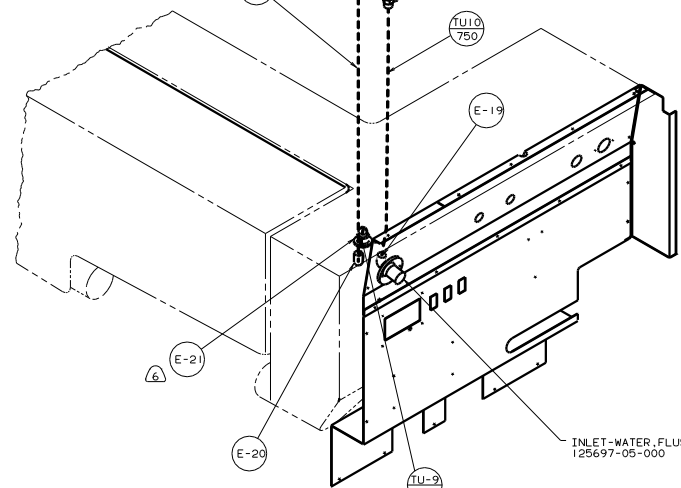
BREAKER-VACUUM
125697-04-000

A-12 (9)

TU-9
785

TU10
750

E-19



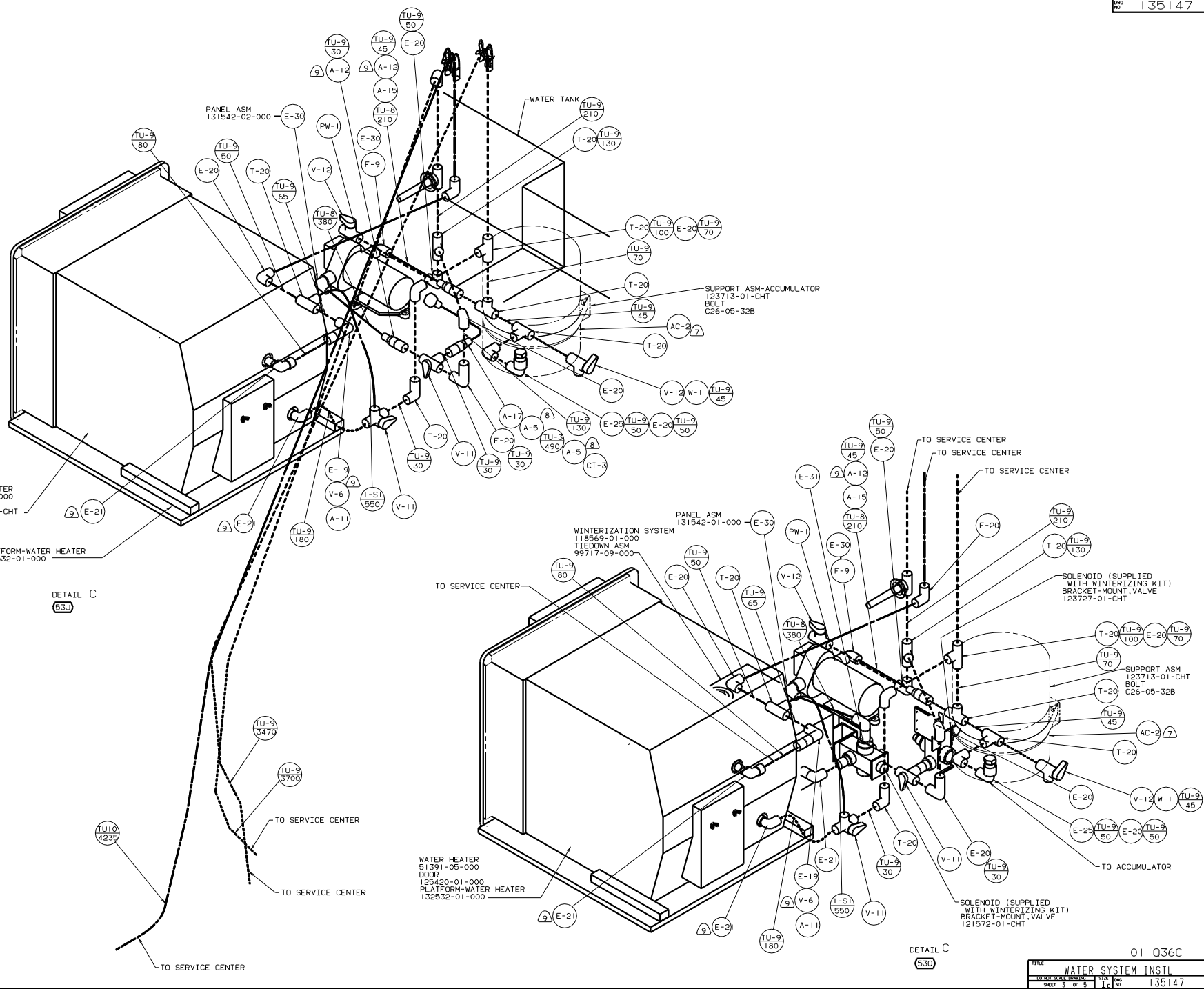
E-21 (6)

E-20

TU-9
75

DETAIL B (5)
FLUSHING SYSTEM

TITLE		01 Q36C	
WATER SYSTEM INSTL		135147	
NO. OF SHEETS	TOTAL SHEETS	DATE	REV.
2 OF 5	5		1 E



WATER HEATER
51391-05-000
DOOR
125420-01-CHT

PLATFORM-WATER HEATER
132532-01-000

DETAIL C
530

WINTERIZATION SYSTEM
118569-01-000
TIEDOWN ASM
99717-09-000

WATER HEATER
51391-05-000
DOOR
125420-01-000
PLATFORM-WATER HEATER
132532-01-000

DETAIL C
530

01 Q36C

TITLE		WATER SYSTEM INSTL	
NO	SCALE	REV	DATE
1		1	135147
SHEET 3 OF 5			

