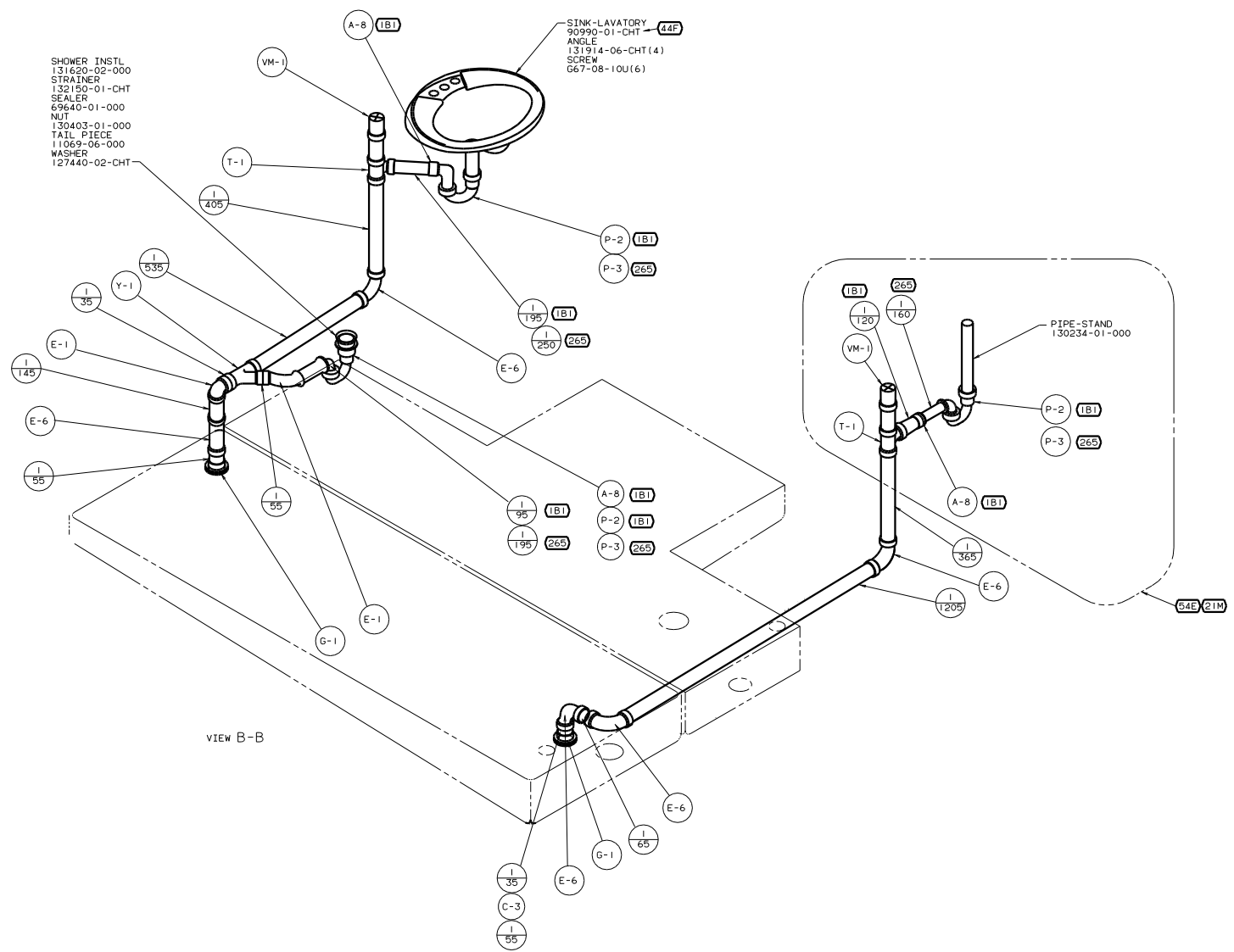


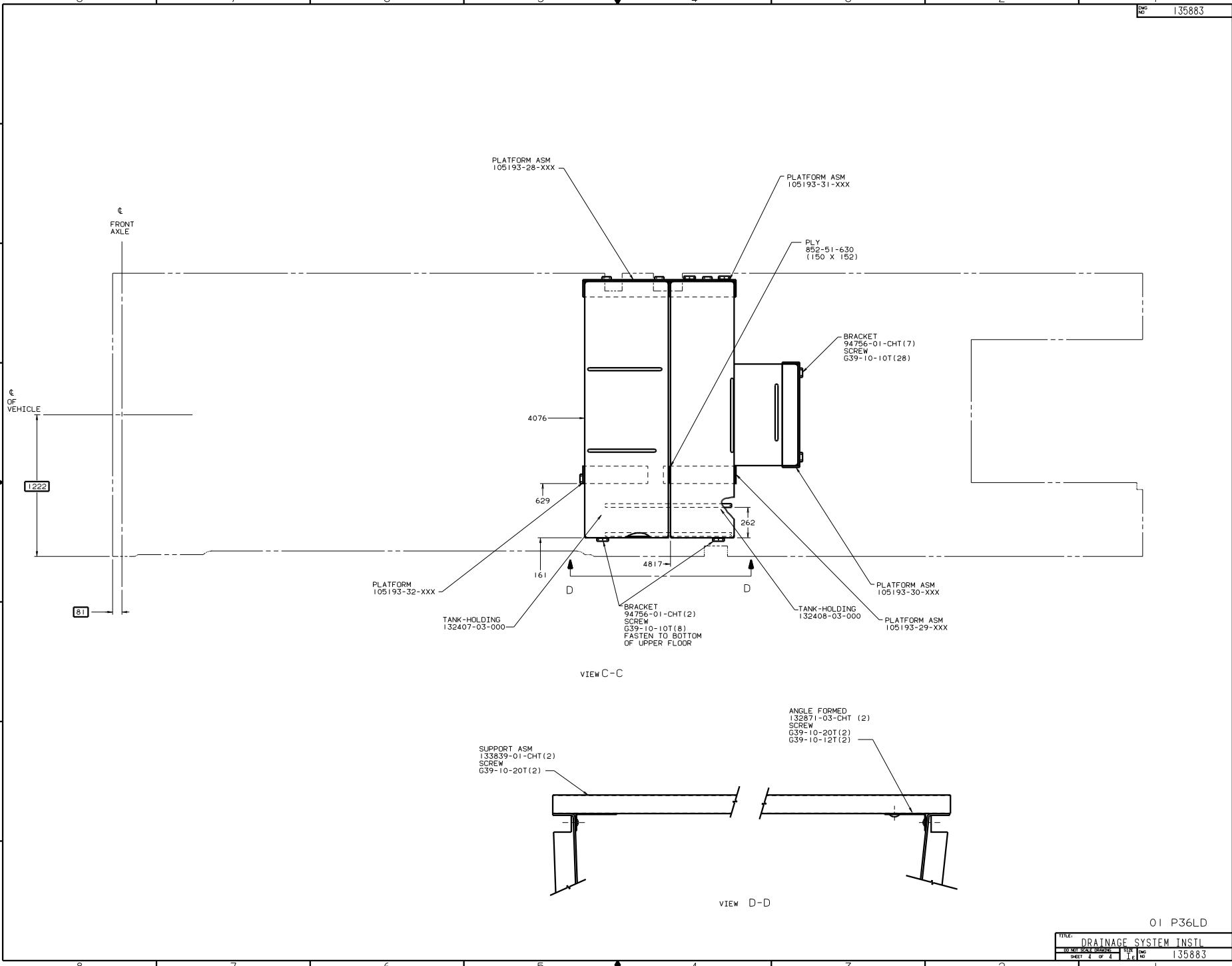
- CLAMP
62401-05-000
BRACKET-PIPE, VENT
95061-01-000
- PIPE FLEX
126426-01-000
(1120)
PRIMER
126427-02-000
CEMENT
126427-01-000
- SINK, SST. DOUBLE
110654-01-000 (US/CAN)
STRAINER
92303-01-000 (2)
SEAL
91255-02-000 (A/R)
RETAINER
81828-01-CHT
83699-15-CHT (11)
83699-16-CHT
83699-19-CHT (3)
WASHER-RUBBER
127440-02-CHT (2)

- TOILET
132389-01-CHT
SCREW
87721-01-000 (8)
- TOILET
136759-01-CHT
SCREW
87721-01-000 (8)

- BRACKET
134703-01-CHT
SCREW
G39-10-10T (2)

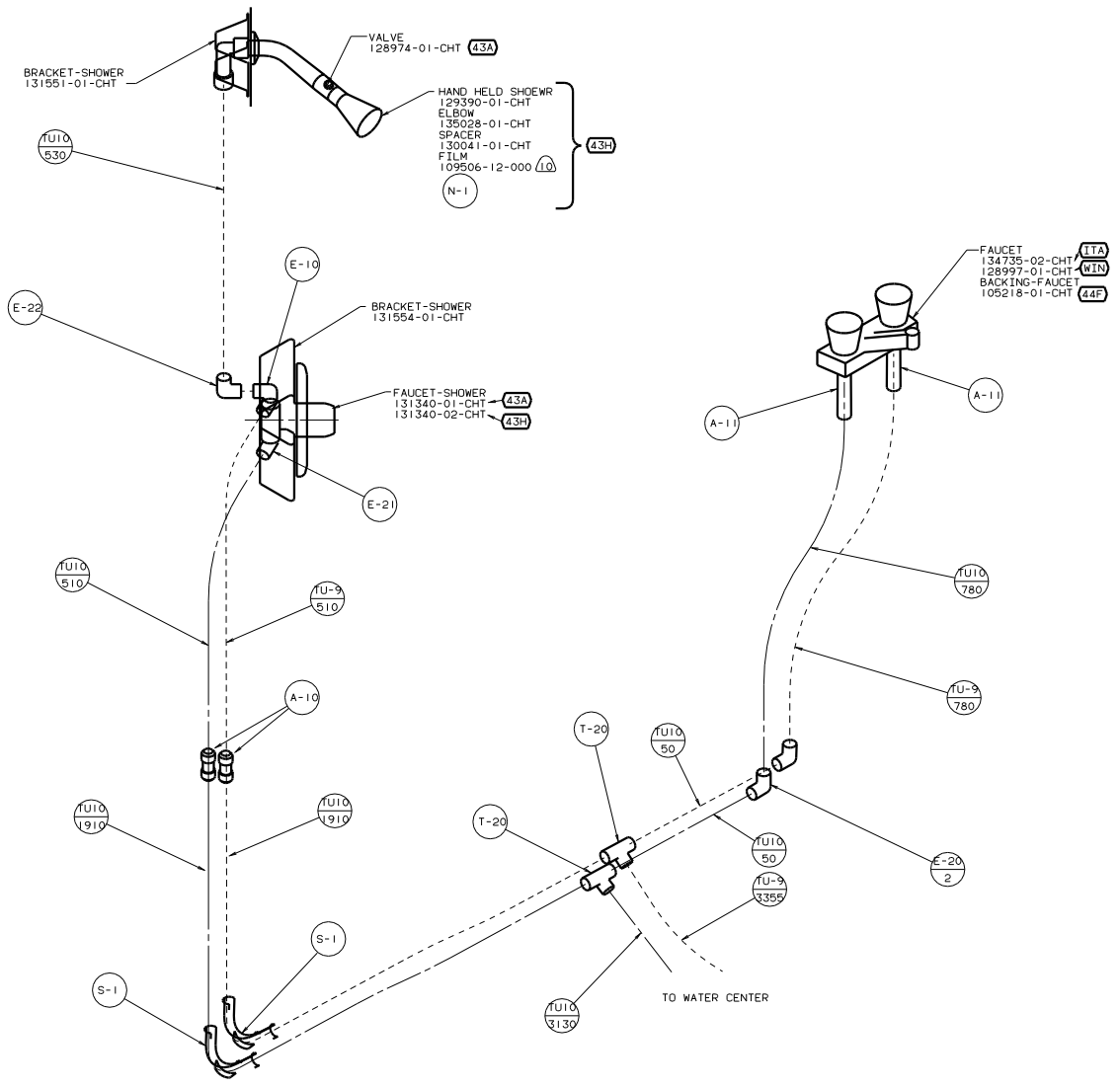
VIEW A-A



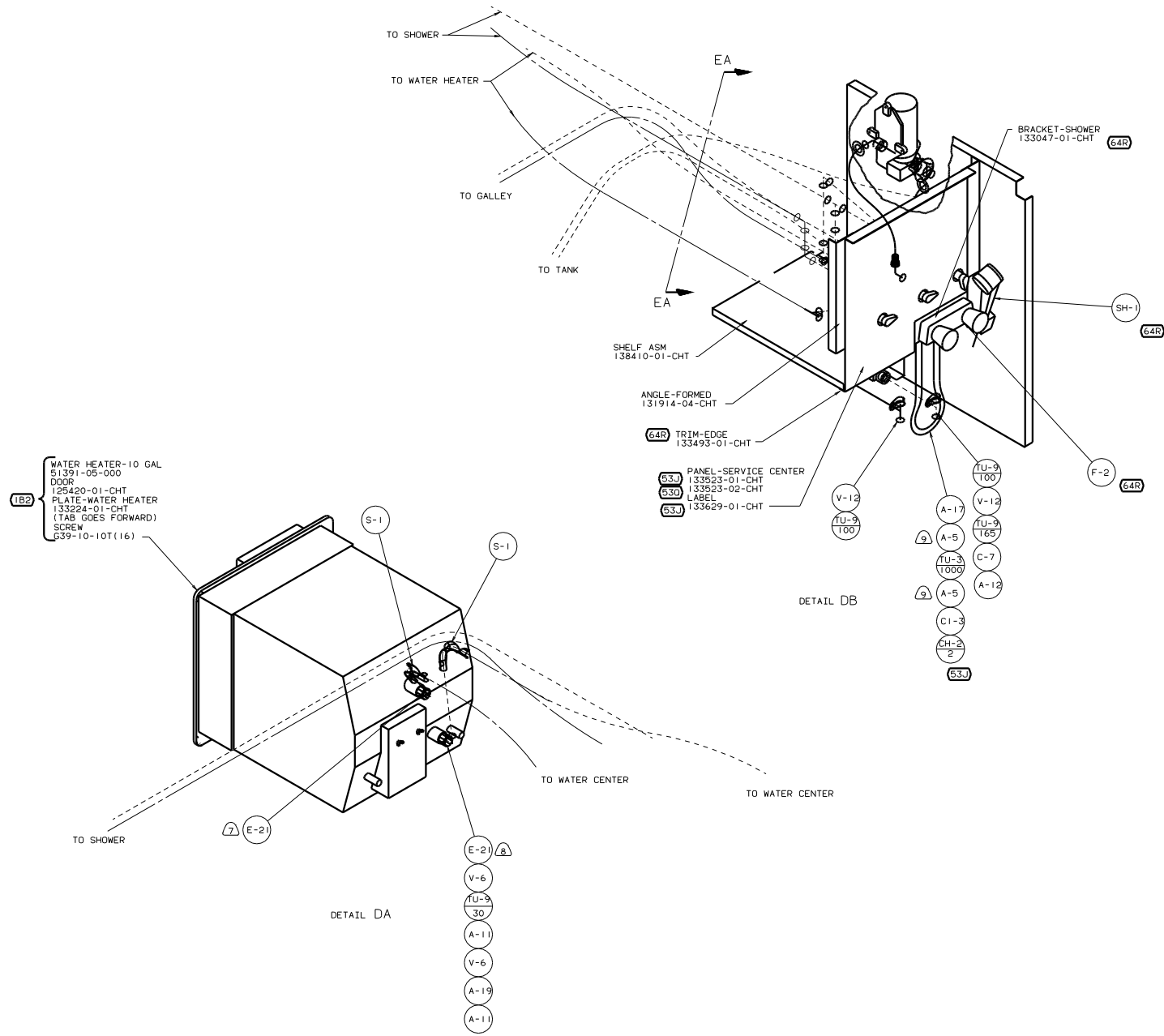


01 P36LD

TITLE: DRAINAGE SYSTEM INSTL		Doc No	135883
30 THE SCALE DRAWING	FIG	1	1
SHEET 4 of 4	REV		

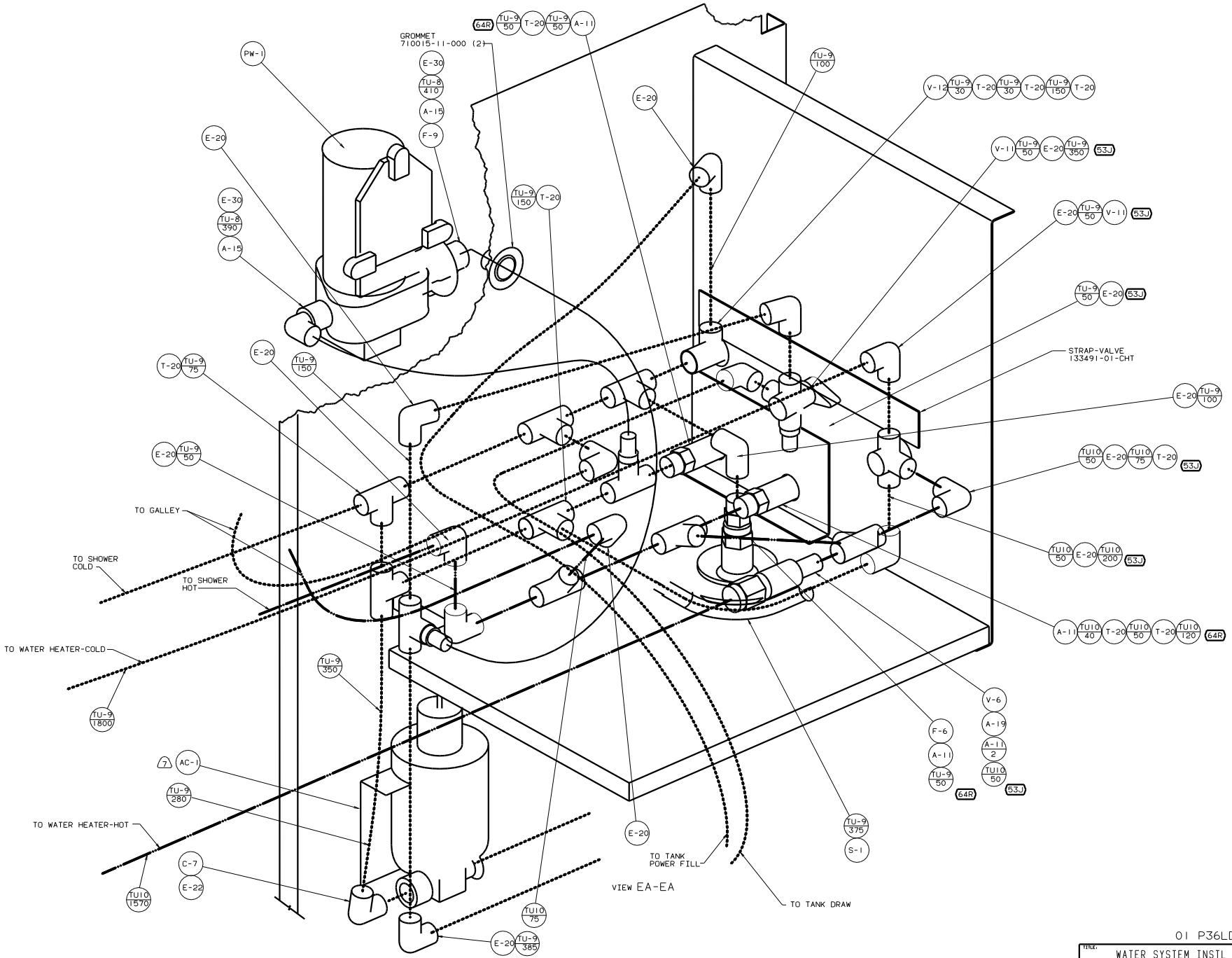


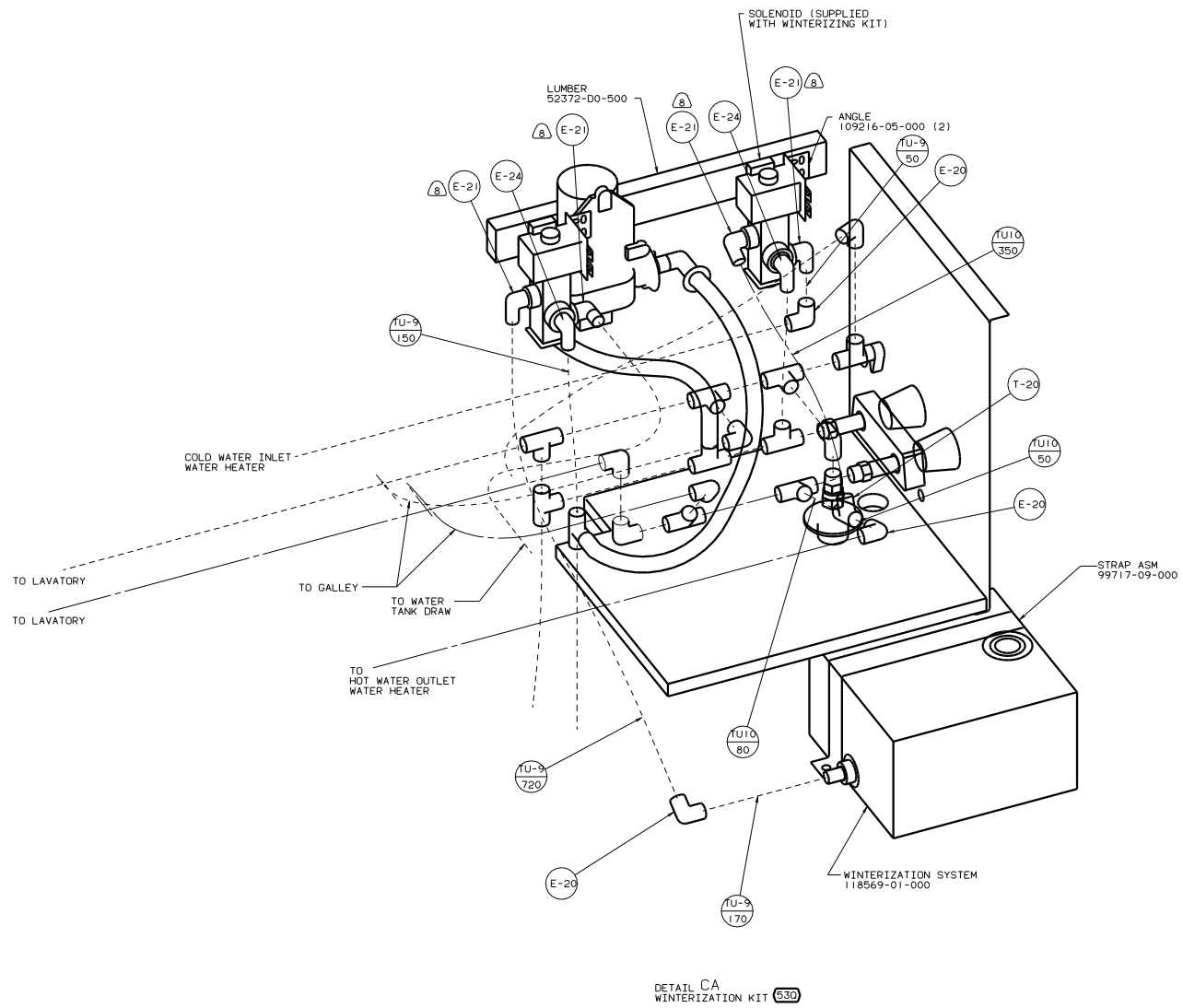
DETAIL CA



01 P36LD

TITLE		WATER SYSTEM INSTL	
NO	REV	DATE	BY
1	1		
SHEET 4 OF 6		135882	





DETAIL CA WINTERIZATION KIT 630