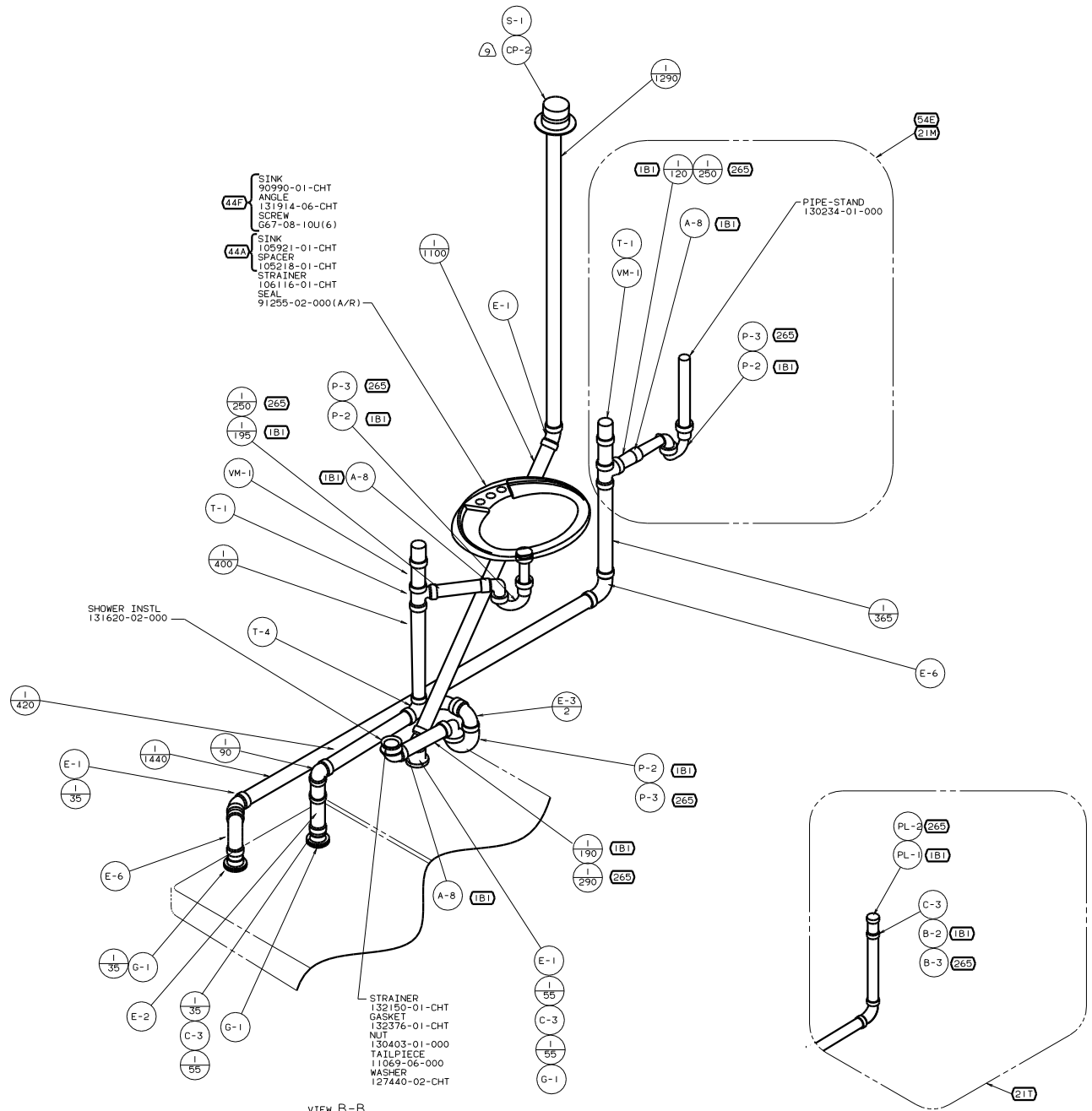


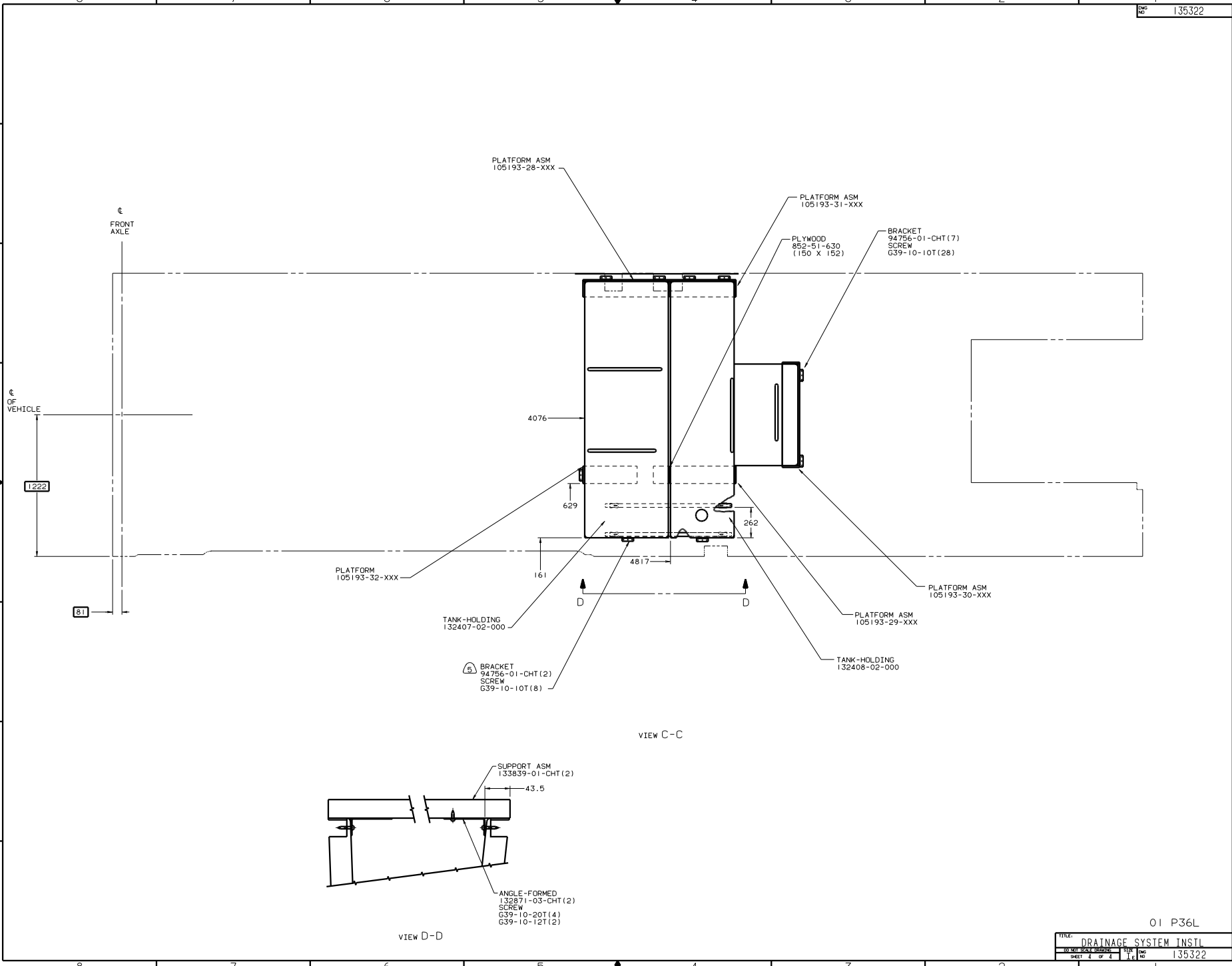
VIEW A-A



VIEW B-B

01 P36L

TITLE		DRAINAGE SYSTEM INSTL	
NO	REV	DATE	BY
1	1		
SHEET 3 of 4		JOB NO 135322	



FRONT AXLE

€ OF VEHICLE

1222

81

PLATFORM ASM 105193-28-XXX

PLATFORM ASM 105193-31-XXX

PL WOOD 852-51-630 (150 X 152)

BRACKET 94756-01-CHT (7) SCREW G39-10-10T (28)

4076

629

262

161

4817

PLATFORM 105193-32-XXX

TANK-HOLDING 132407-02-000

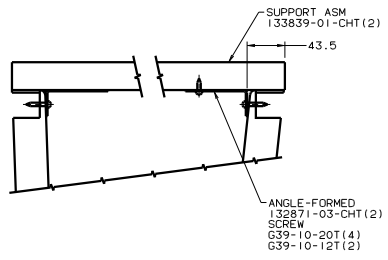
BRACKET 94756-01-CHT (2) SCREW G39-10-10T (8)

PLATFORM ASM 105193-30-XXX

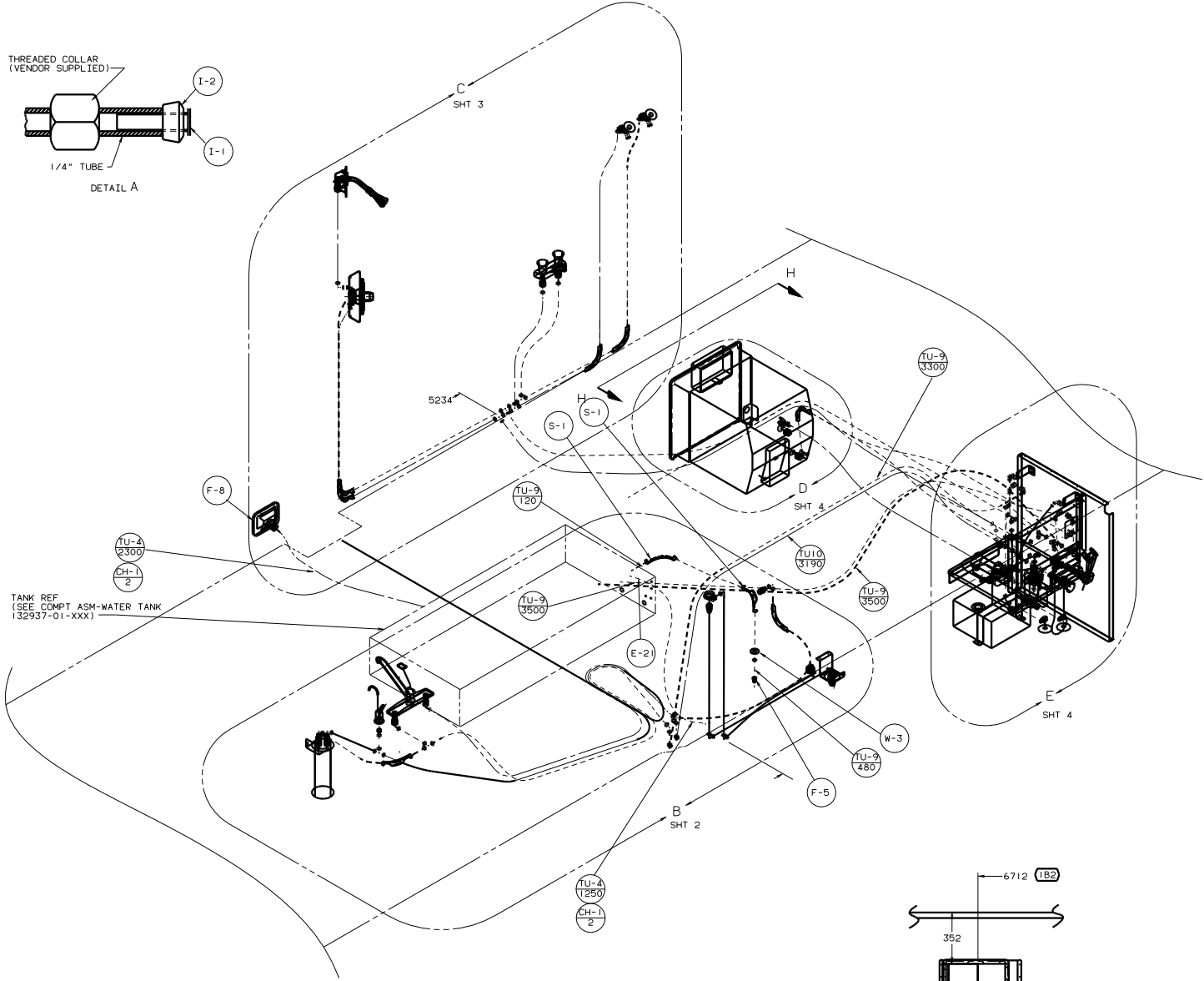
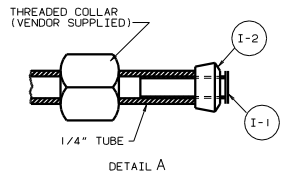
PLATFORM ASM 105193-29-XXX

TANK-HOLDING 132408-02-000

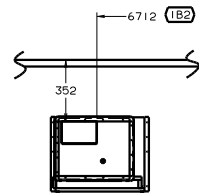
VIEW C-C



VIEW D-D



TANK REF
 (SEE COMPT ASM-WATER TANK
 132937-01-XXX)

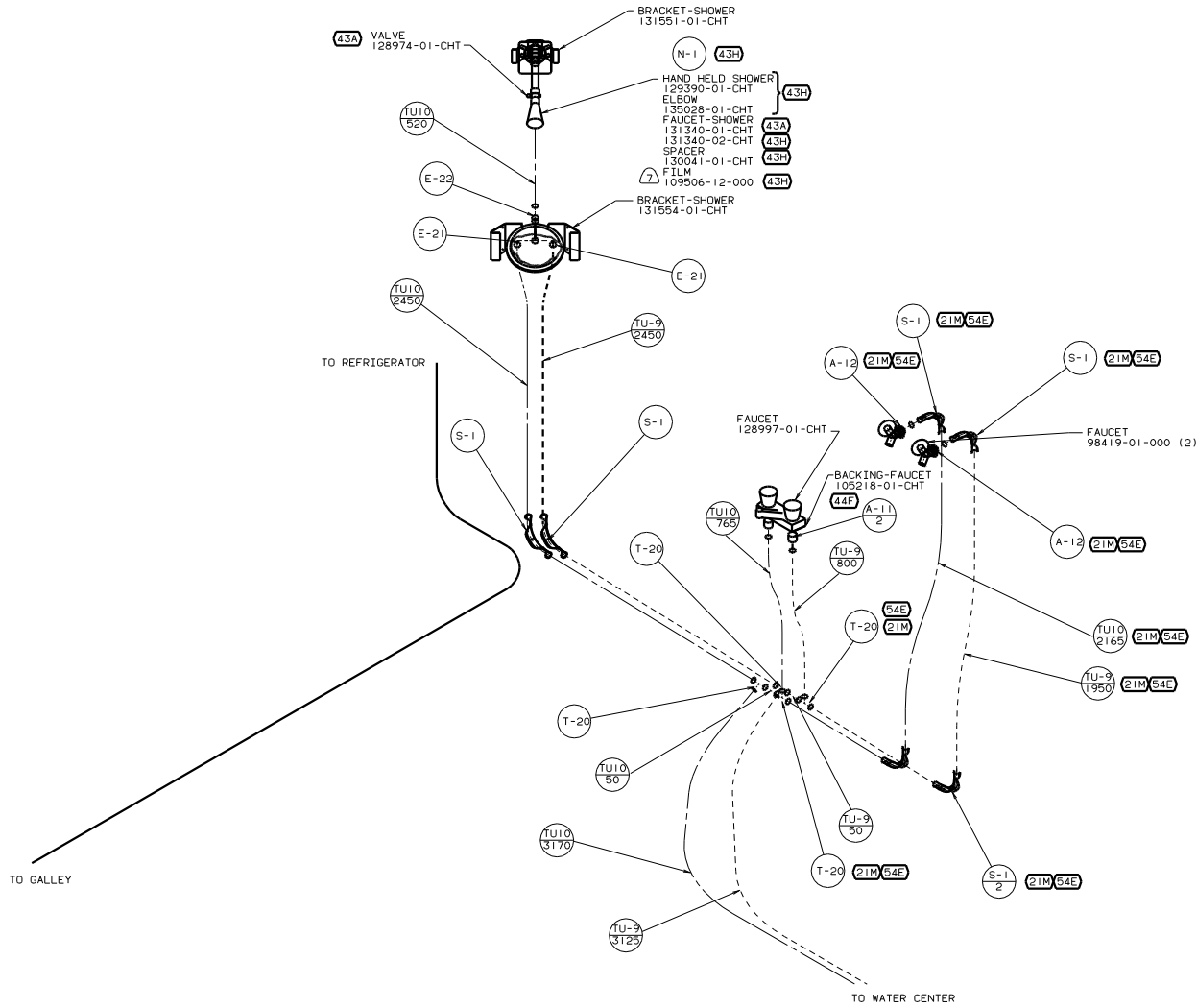


- (44F) COUNTERTOP-SOL. SURFACE-BATH
- (79W) REFRIGERATOR-4 DOOR
- (43A) SHOWER HEAD-FIXED
- (43H) SHOWER HEAD-HAND HELD
- (211) WASHER/DRYER WITHOUT
- (54E) WASHER/DRYER
- (64R) EXTERIOR WASH STATION
- (53V) WATER HEATER BY-PASS-VALVE
- (21W) WASHER/DRYER PREP
- (1B2) WTR HTR-10GAL/ELEC/LP/MTR/ID
- (29B) WATER PURIFIER
- (18U) REFRIGERATOR/FRZR W/ICEMAKER

1. PLASTIC FITTINGS TO BE SEALED WITH SEALANT 84456-01-000.
2. TUBING TO BE INSTALLED WITH SUFFICIENT SLOPE TO PROVIDE DRAINAGE TO NEAREST VALVE.
3. ALL TUBING TO BE SECURED AT 1200 INTERVALS MAXIMUM WITH CLAMP 10495-01-000 OR CLIP 9151-01-000 AND SCREW G67-10-12B.

- (7) APPLY DECAL INSIDE OF UPPER SHOWER HEAD HOLDER TO RETAIN SHOWER HEAD UNIT INSIDE OF HOLDER.
- (6) FLUSHING SYSTEM REQUIRES 125697-06-000 INSTRUCTION SHEET.
- (5) CLAMPS MUST BE ON BARBS.
- (4) USE DETAIL "A" IN THIS AREA.

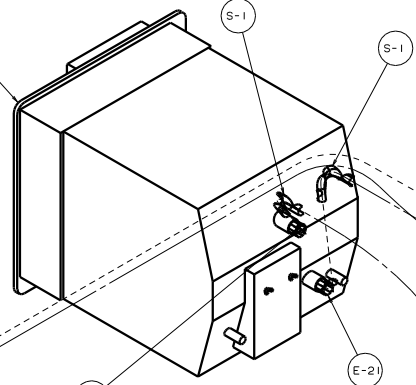
LEGEND		WINNEBAGO 01 P36L	
HOT	-----	DATE	UNDESIGNED TOLERANCES ARE:
COLD	-----	DATE	WHOLE DIM (1:1) ± .1
		DATE	ONE-PLACE (1:1) .1
		DATE	TWO-PLACE (1:1) .01
		DATE	THREE-PLACE (1:1) .005
		DATE	FOUR-PLACE (1:1) .001
		DATE	FIVE-PLACE (1:1) .0005
		DATE	SIX-PLACE (1:1) .0002
		DATE	SEVEN-PLACE (1:1) .0001
		DATE	EIGHT-PLACE (1:1) .00005
		DATE	NINE-PLACE (1:1) .00002
		DATE	TEN-PLACE (1:1) .00001
		DATE	UNDESIGNED TOLERANCES ARE:
		DATE	WHOLE DIM (1:1) ± .1
		DATE	ONE-PLACE (1:1) .1
		DATE	TWO-PLACE (1:1) .01
		DATE	THREE-PLACE (1:1) .005
		DATE	FOUR-PLACE (1:1) .001
		DATE	FIVE-PLACE (1:1) .0005
		DATE	SIX-PLACE (1:1) .0002
		DATE	SEVEN-PLACE (1:1) .0001
		DATE	EIGHT-PLACE (1:1) .00005
		DATE	NINE-PLACE (1:1) .00002
		DATE	TEN-PLACE (1:1) .00001



DETAIL C

- WATERHEATER-10 GAL
S1391-05-000
D009
- 125420-01-CHT
PLATE-WATER HEATER
- 133224-01-CHT
(TAB GOES FORWARD)
- SCREW
G39-10-10T(16)

1B2



DETAIL D

TO SHOWER

TO WATER CENTER

TO WATER CENTER

- E-21
- V-6
- TU-9
30
- A-11
- V-6
- A-19
- A-11

TO SHOWER

TO WATER HEATER

TO GALLEY

TO TANK

SHELF ASM
138410-01-CHT

ANGLE-FORMED
131914-04-CHT

64R TRIM-EDGE
133493-01-CHT

63J PANEL-SERVICE CENTER
133523-01-CHT
LABEL

63J 133629-01-CHT

V-12
TU-9
T00

A-17
A-5
TU-3
T000

A-5
C1-3

CH-2
2
63J

TU-9
T00

V-12
TU-9
T65

C-7
A-12

F-2
64R

BRACKET-SHOWER
133047-01-CHT
64R

SH-1
64R

DETAIL E

TITLE		135323	
WATER SYSTEM INSTL			
NO. OF SHEETS	TOTAL SHEETS	DATE	BY
4 of 5	5		

