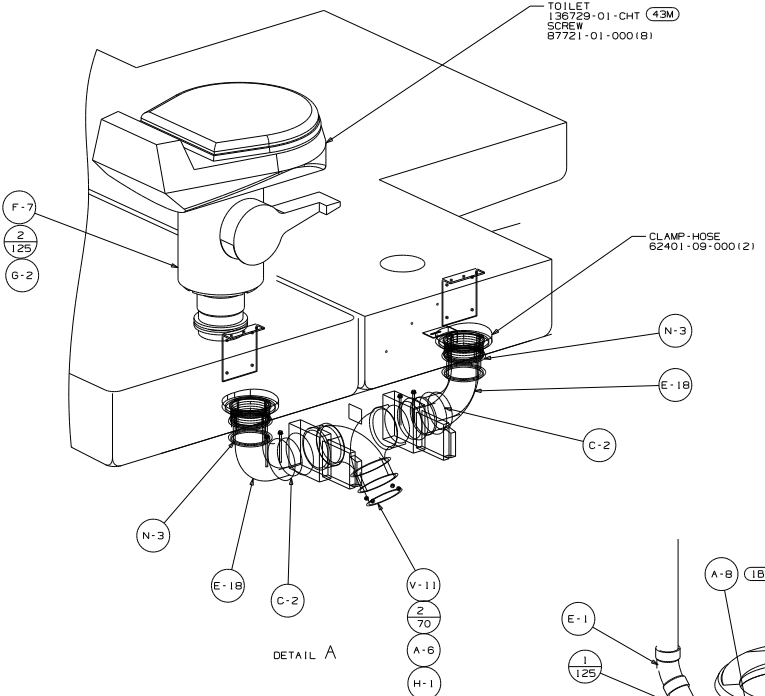




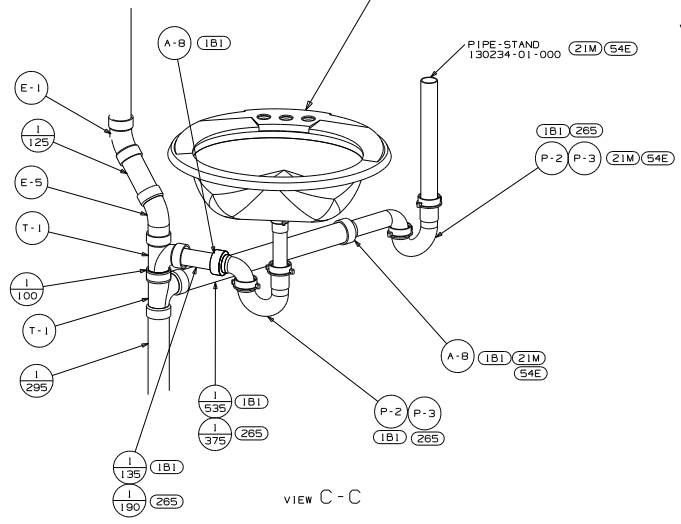
TOILET  
136729-01-CHT (43M)  
SCREW  
87721-01-000(8)



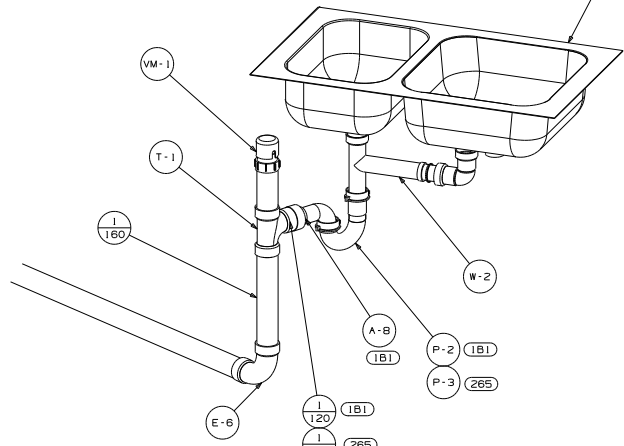
DETAIL A

CLAMP-HOSE  
62401-09-000(12)

SINK (44F)  
90990-01-CHT  
SPACER  
10521B-01-CHT  
ANGLE  
131914-06-CHT (4)  
SCREW  
667-08-10U (16)



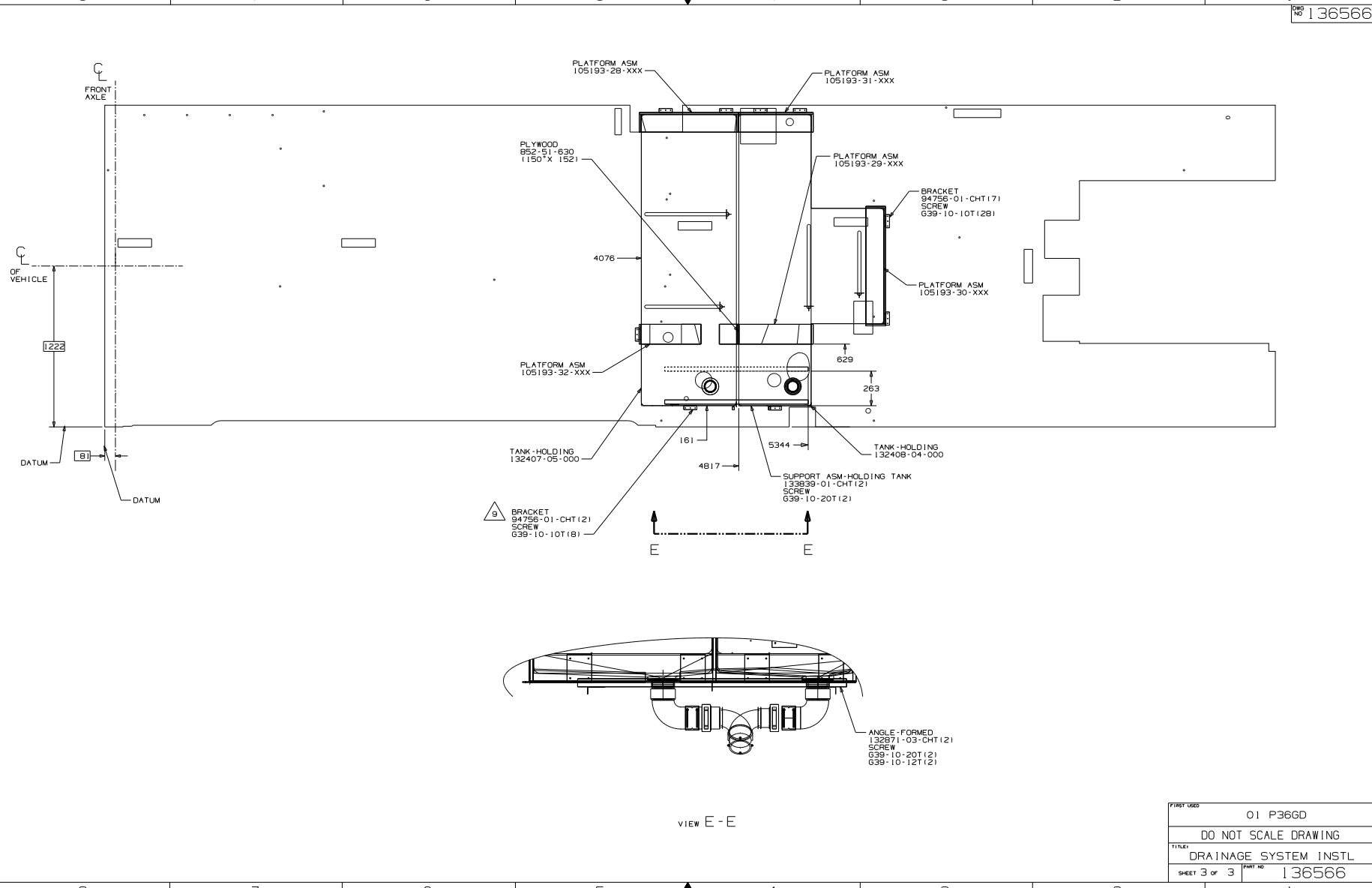
VIEW C-C



VIEW B-B

SINK-SST, DOUBLE  
110654-01-000(US/CAN)  
STRAINER  
92303-01-000(12)  
SEAL  
81255-02-000(A/R)  
RETAINER  
81828-01-CHT  
83699-15-CHT(12)  
83699-19-CHT(13)  
SCREW  
667-06-10U(22)  
WASHER-RUBBER  
127440-02-CHT(12)

FIRST USED	01 P36GD
DO NOT SCALE DRAWING	
TITLE: DRAINAGE SYSTEM INSTL	
SHEET 2 of 3	DWG NO 136566

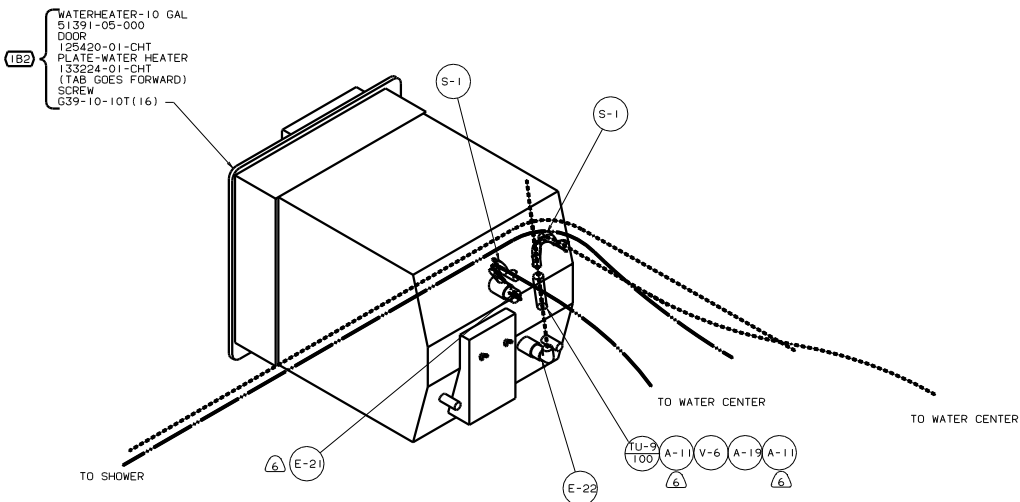
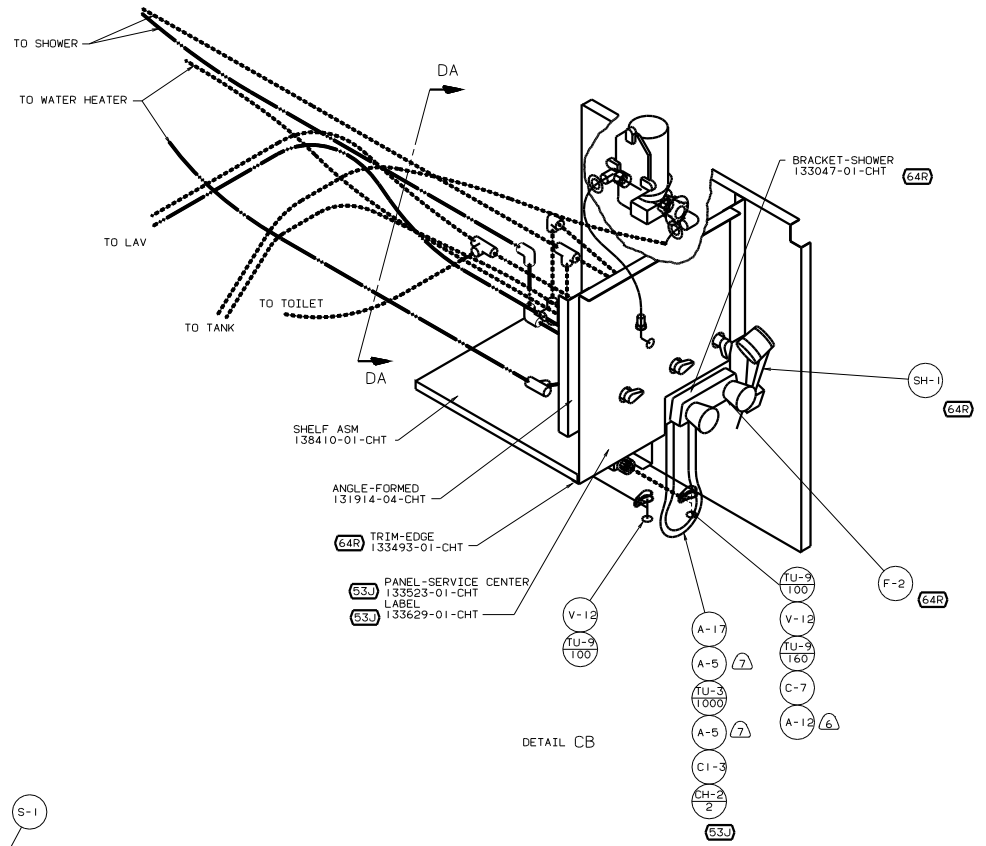


VIEW E-E

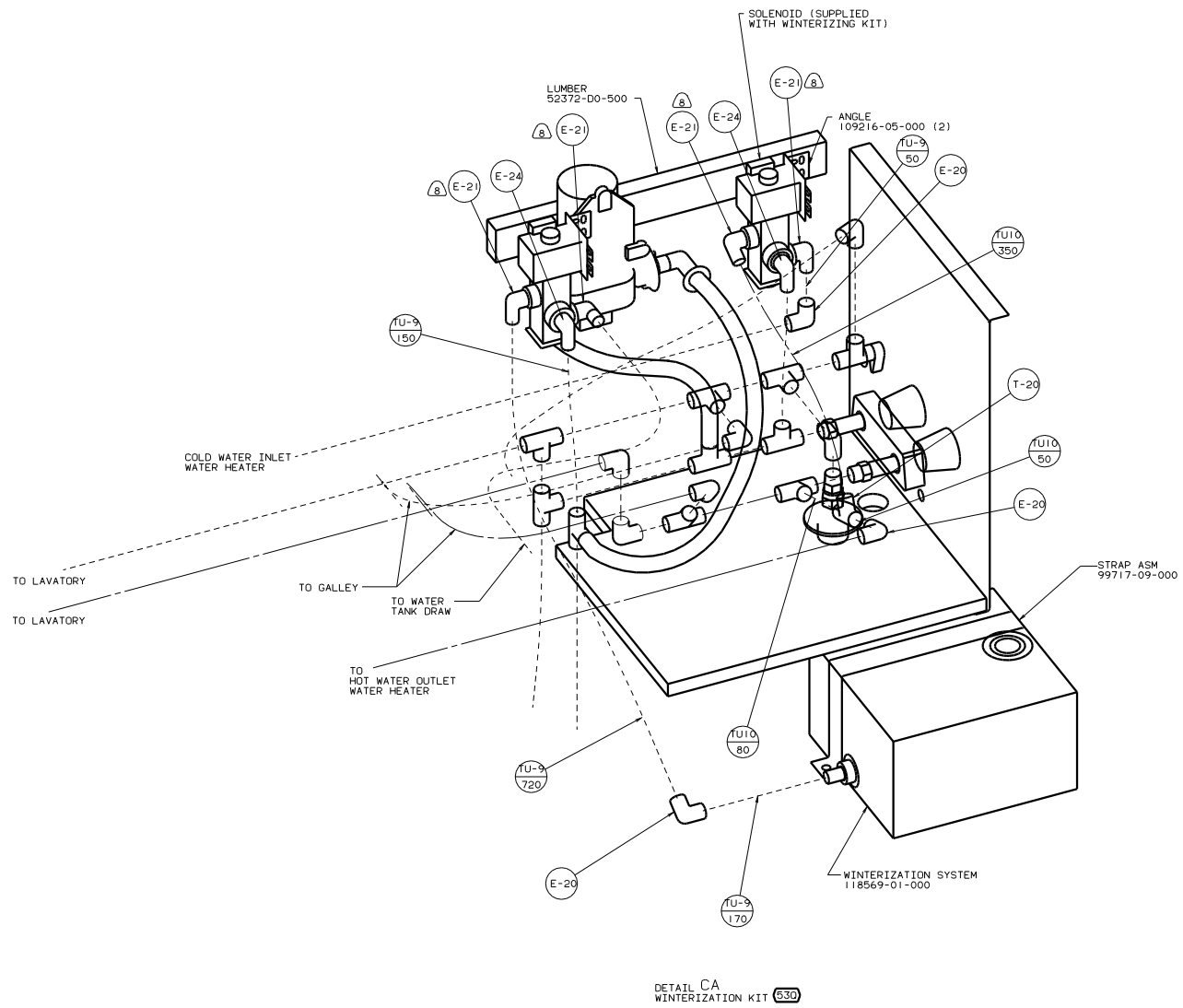
FIRST USED	01 P36GD
DO NOT SCALE DRAWING	
TITLE:	DRAINAGE SYSTEM INSTL
SHEET 3 of 3	DWG NO 136566











DETAIL CA  
WINTERIZATION KIT 630

01 P36GD

TITLE		136565	
WATER SYSTEM INSTL			
NO. OF SHEETS	TOTAL SHEETS	DATE	REV
5 OF 5	5		1