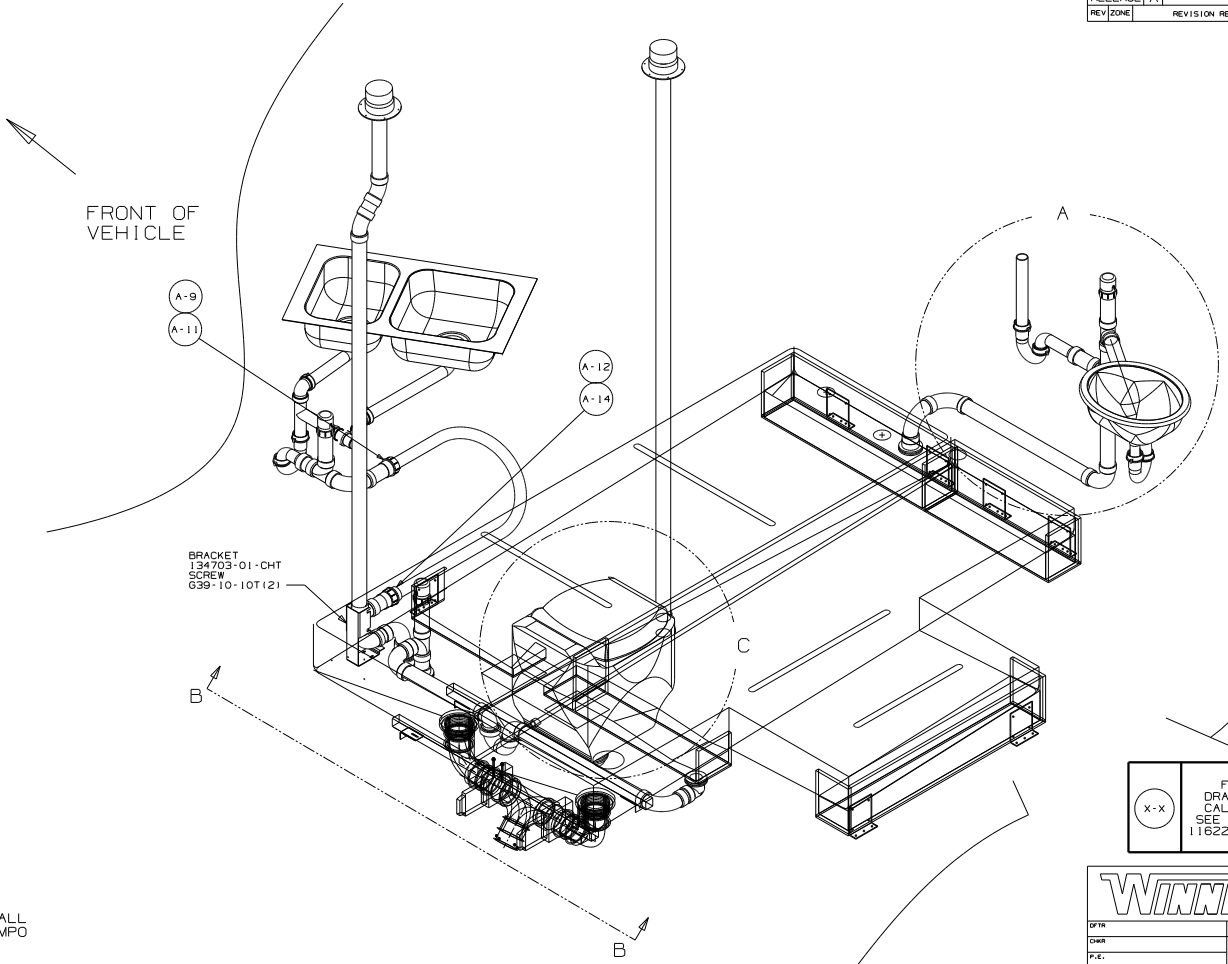


DWG NO	----
136497-01	ITA
136497-02	WIN

RELEASE	REV/DATE	DWG NO
A		136497
REV/ZONE	REVISION RECORD	DATE
		DTR-016



BRACKET  
134703-01-CHT  
SCREW  
G39-10-10T121

- 9 VENT PIPE MUST PROJECT 51 MIN AND 63.5 MAX ABOVE ROOF FOR PROPER FIT AND FUNCTION.
- 8 FASTEN TO BOTTOM OF UPPER FLOOR.
- 7 TRIM TO FIT
- 6 FOR CANADIAN UNITS EACH HOLDING TANK SHALL HAVE A CSA APPROVAL STAMPED NEAR THE TAMPO APPROVAL.
- 5 SEAL AROUND SHOWER WITH SILICONE.
- 4 ALL EXTERIOR OPENINGS AROUND PIPE TO BE SEALED WITH 110744-01-000.
- 3 ALL PIPE AND FITTINGS TO BE ASSEMBLED WITH SOLVENT
- 2. SLOPE OF TRAP ARM MUST BE 6 PER 305 MM.
- 1. SLOPE OF HORIZONTAL PIPING TO BE 6 PER 305 MM.

NOTES:  
Copyright 2005 Winnebago Industries, Inc.

- 43M TOILET-PORCELAIN ELONGATED
- ITA ITASCA ONLY
- WIN WINNEBAGO ONLY
- 44F COUNTERTOP-SOLID SURFACE-BATH
- 44A COUNTERTOP-LAMINATE-BATH
- 54E WASHER/DRYER
- 21M WASHER/DRYER PREP
- 43D TOILET PORCELAIN-ROUND
- 26S CODES/STDS-CSA/CMVSS
- 1B1 CODES/STANDARDS-USA

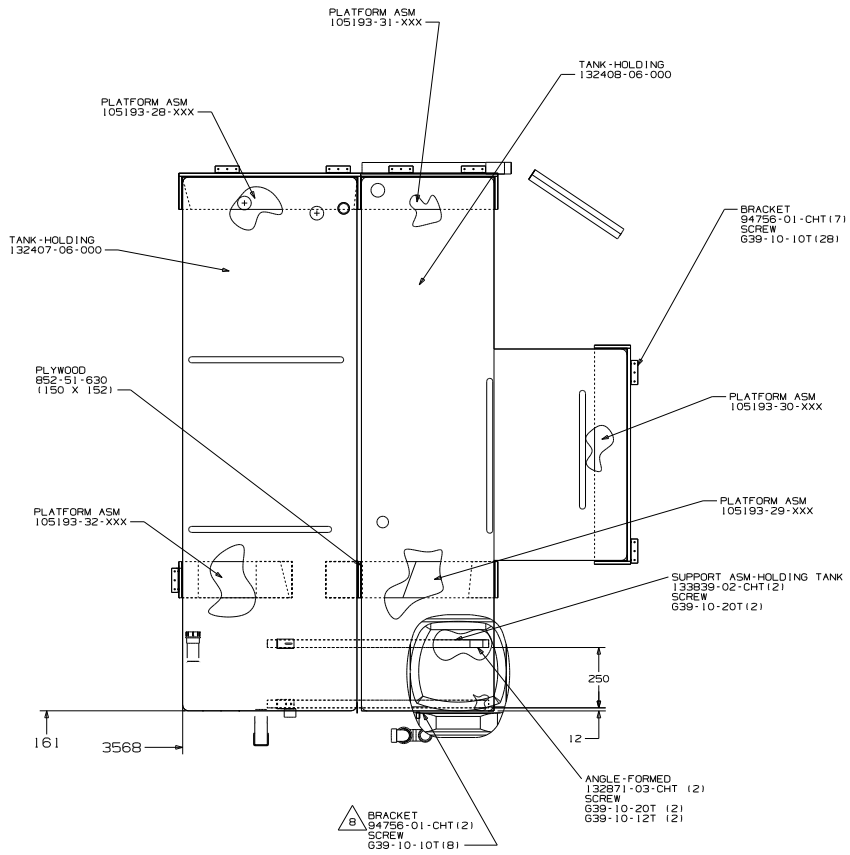
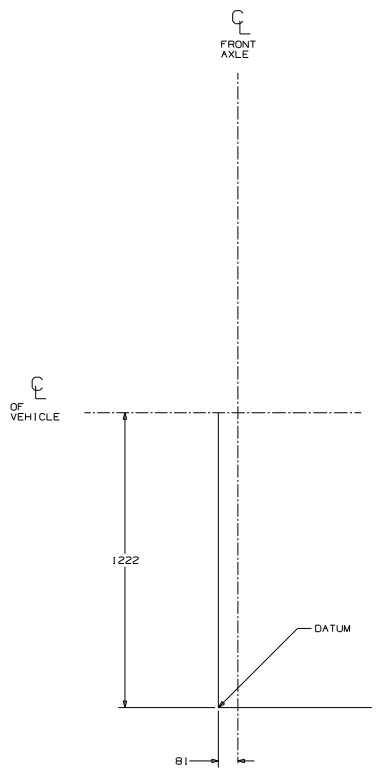
X-X FOR DRAINAGE CALLOUTS SEE DWG NO. 116229-01-000

**WINNEBAGO**

DTR	ORIG. DATE	05/01/00
CHR	ALL DIMENSIONS ARE IN MILLIMETERS	
P.E.	FIRST USED	
W.E.	01 P34BD	
DWR	MATERIAL	
UNSPECIFIED TOLERANCES ARE:		
SIZE DIM (X)	+	
ONE-PLACE (X,XX)	+	
TWO-PLACE (X,XXX)	+	
ANGLE	+	
THIRD ANGLE PROJECTION		
<b>DO NOT SCALE DRAWING</b>		
TITLE: DRAINAGE SYSTEM INSTL		
SHEET 1 of 3	PART NO	136497

REF: 134160 6 1

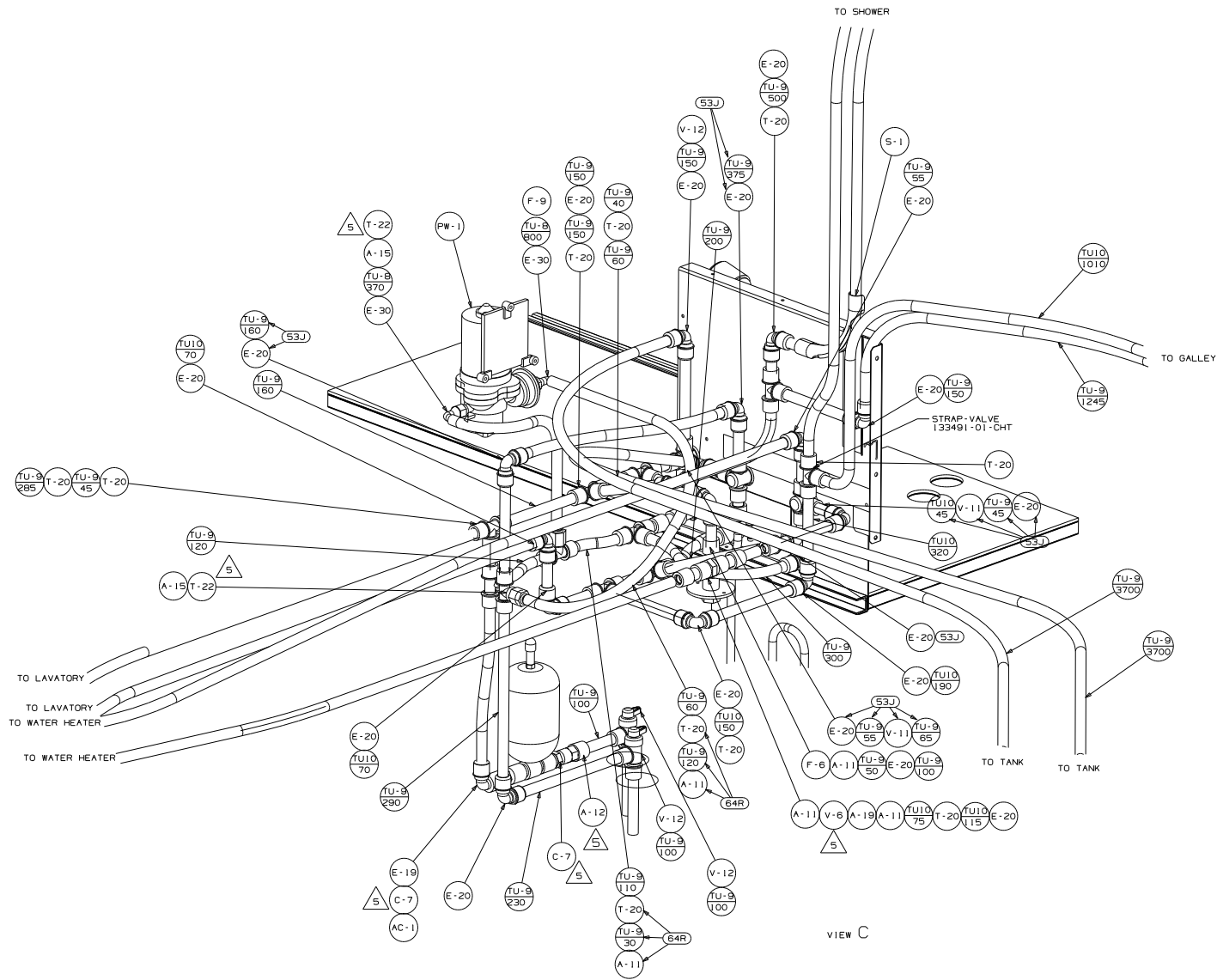




FIRST USED	01 P34BD
DO NOT SCALE DRAWING	
TITLE: DRAINAGE SYSTEM INSTL	
SHEET 3 of 3	DWG NO 136497







VIEW C

PART USED	01 P34BD
DO NOT SCALE DRAWING	
TITLE	WATER SYSTEM INSTL
SHEET 3	PART NO 136433

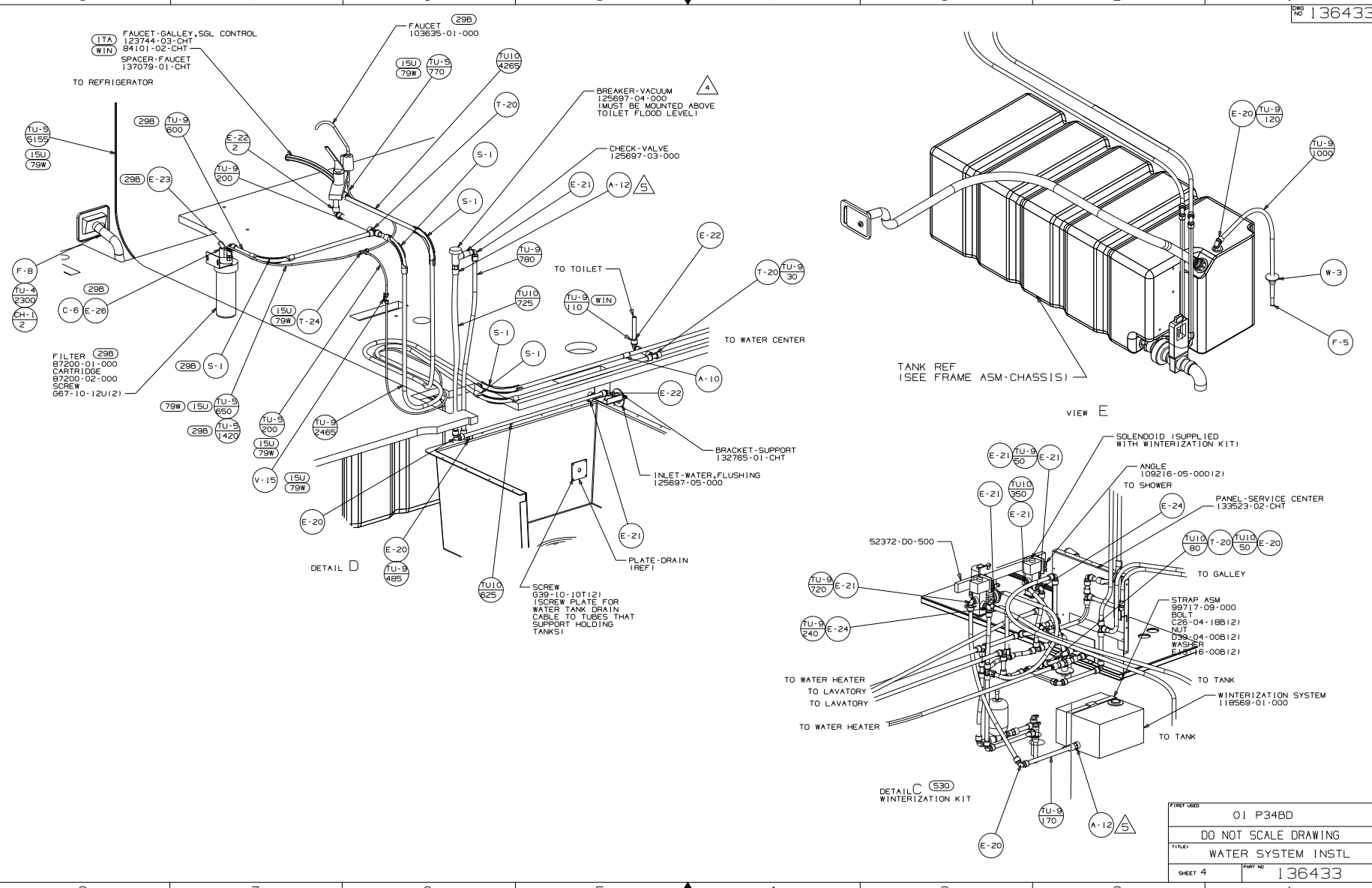


FIGURE	01 P34BD
TITLE	DO NOT SCALE DRAWING
	WATER SYSTEM INSTL
SHEET 4	PART NO 136433