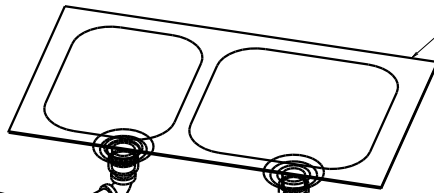


- NOTES:
- 10 SECURE VENT TUBES TO FLOOR WITH BRACKET 95061-01-000 (2)
 CLAMP 62401-02-000, SCREW G67-10-12B (2).
 9. SECURE PIPES TO CABINET USING WIRE TIE 108046-02-000
 AND SCREW G67-10-12U (8).
 - 8 VENT PIPE MUST PROJECT 51 MIN TO 64 MAX
 ABOVE ROOF FOR PROPER FIT AND FUNCTION.
 - 7 SEE DWG 61607-01-000 FOR INSTL OF GROMMET.
 - 6 SEAL ALL AROUND SHOWER PAN.
 - 5 TRIM TO FIT.
 4. ALL EXTERIOR OPENINGS AROUND PIPE TO BE SEALED WITH 110744-01-000.
 3. ALL PIPE AND FITTINGS TO BE ASSEMBLED WITH SOLVENT 4020-01-000.
 2. SLOPE OF TRAP MUST BE 6 PER 300 MINIMUM.
 1. SLOPE OF HORIZONTAL PIPING TO BE 6 PER 300 MINIMUM.

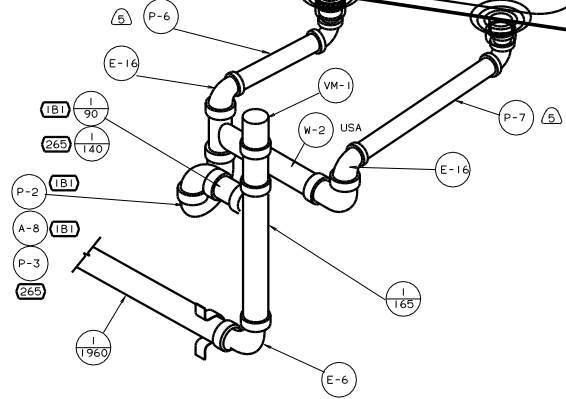
- (WIN) WINNEBAGO ONLY
- (ITA) ITASCA ONLY
- (54E) WASHER/DRYER
- (430) TOILET-PORCELAIN
- (43W) TOILET PORCELAIN-ELONGATE
- (WIN) WINNEBAGO ONLY
- (ITA) ITASCA ONLY
- (21M) WASHER/DRYER PREP
- (26S) CODES/STANDARDS-CSA/CMVSS
- (IB1) CODES/STANDARDS USA

FOR DRAINAGE CALLOUTS SEE DWG NO. 116229-01-000

		00 L36W
DATE	DATE	UNDESIGNED TOLERANCES ARE:
DATE	DATE	WHOLE DIM (IN)
DATE	DATE	ONE-PLACE (IN.X1)
DATE	DATE	TWO-PLACE (IN.XXX)
DATE	DATE	MILLI
DATE	DATE	THIRD WHOLE INCREMENT
DATE	DATE	ALL DIMENSIONS ARE IN MILLIMETERS
LANE# L36W	TITLE	DRAINAGE SYSTEM INSTL
REV #	SCALE	NO. OF SHEETS
1	1:1	1
SHEET 1	OF 3	134322



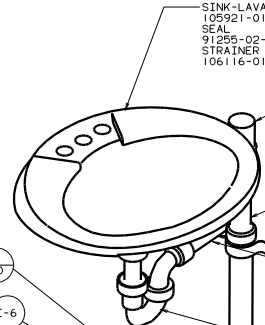
- SINK-SST DOUBLE
110654-01-000
- STRAINER
92303-01-000 (2)
- SEAL
91255-02-000 (A/R)
- SCREW
G57-06-10U (2)
- RETAINER
81828-01-CHT
- 83699-15-CHT (2)
- 83699-19-CHT (3)



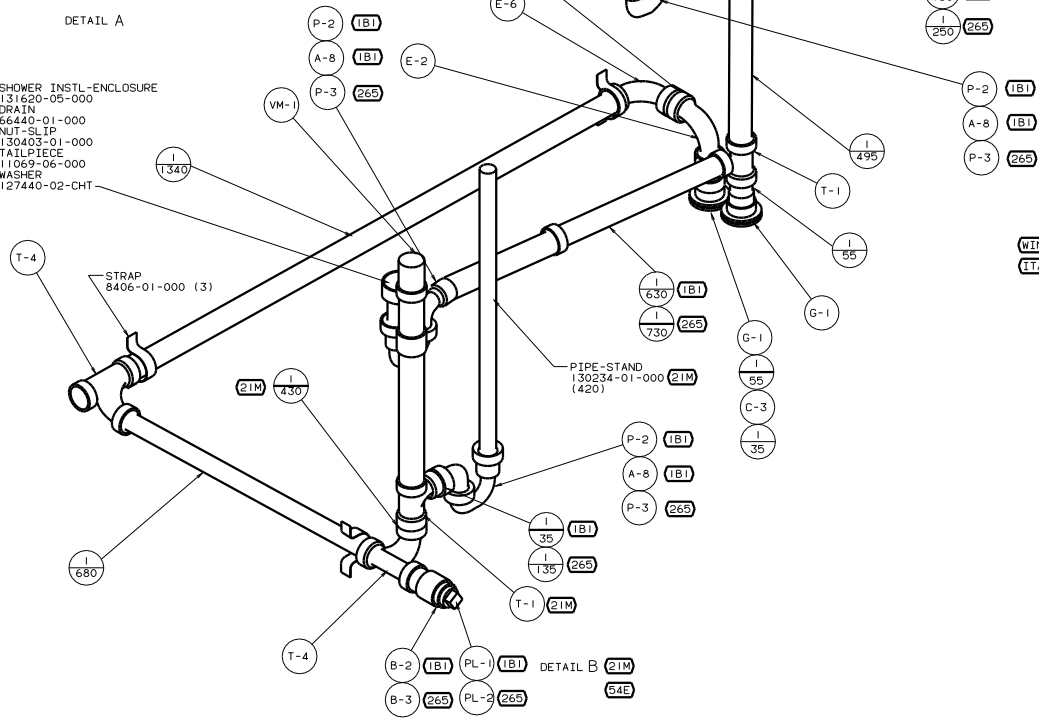
DETAIL A

- SHOWER INSTL-ENCLOSURE
131620-05-000
- DRAIN
66440-01-000
- NUT-SLIP
130403-01-000
- TAILPIECE
11069-06-000
- WASHER
127440-02-CHT

- STRAP
8406-01-000 (3)

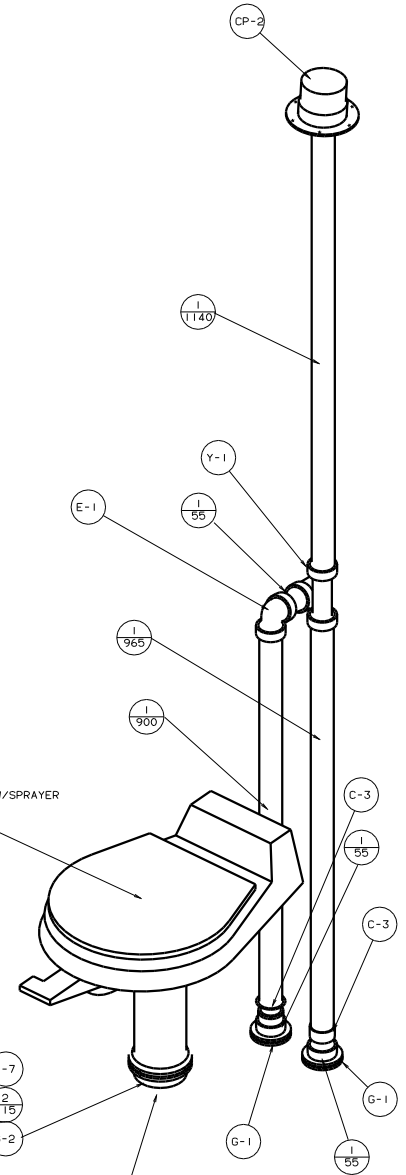


- SINK-LAVATORY
105921-01-CHT
- SEAL
91255-02-000 (A/R)
- STRAINER
106116-01-CHT



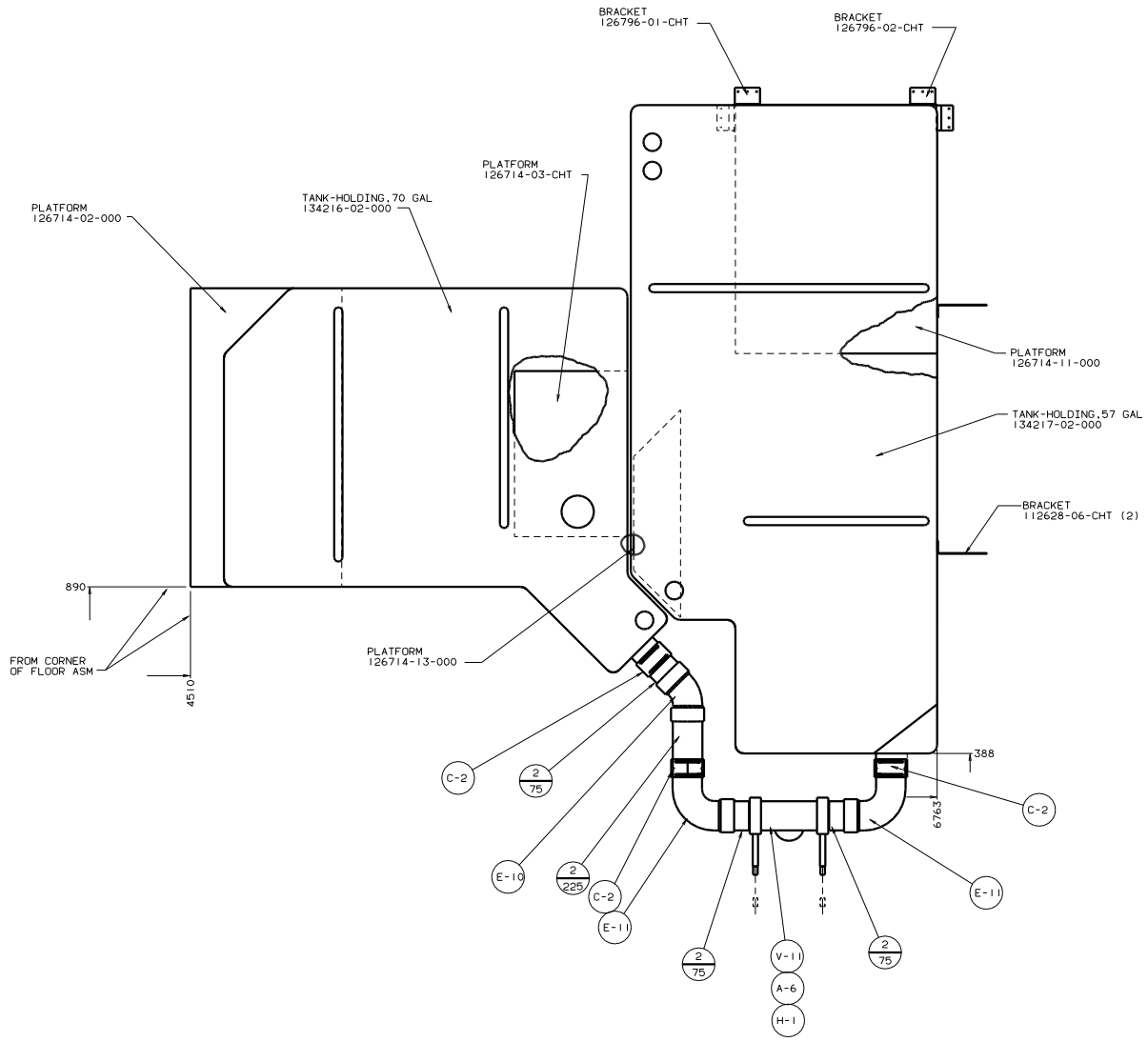
- PIPE-STAND
130234-01-000 (21M)
420

- WIN TOILET-CHINA, STD W/SPRAYER
136729-10-CHT
- ITA TOILET-AURORA
132389-01-CHT



DETAIL C

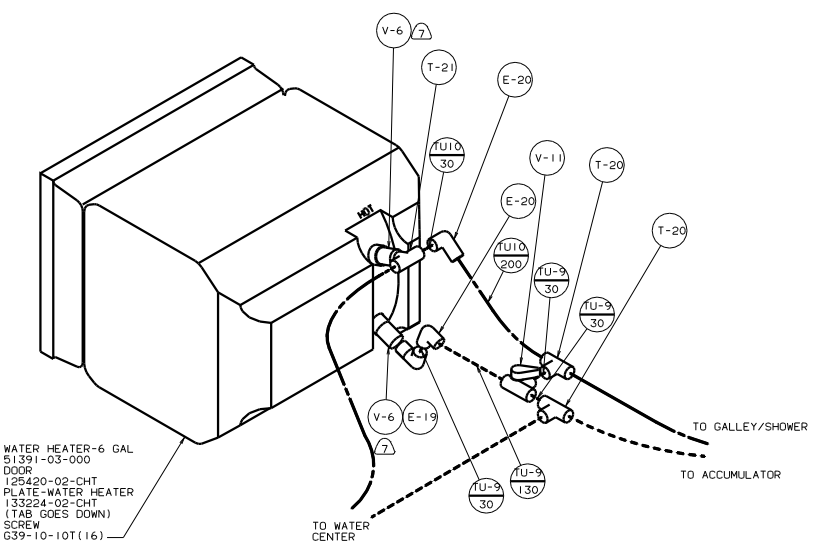
- SCREW
87721-01-000 (8)



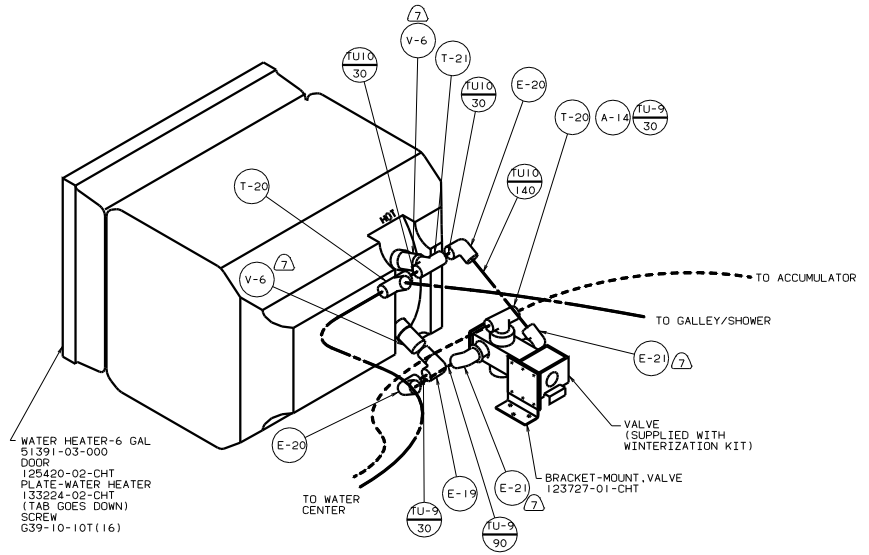
VIEW D-D

00 L36W

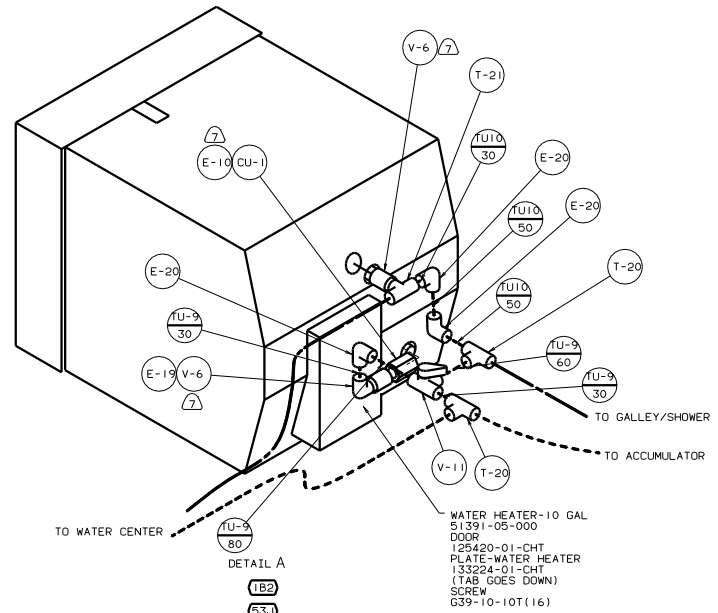
TITLE: DRAINAGE SYSTEM INSTL	
DO NOT SCALE DRAWING	DATE: 1/1/00
SHEET 3 OF 3	FIG. NO. 134322



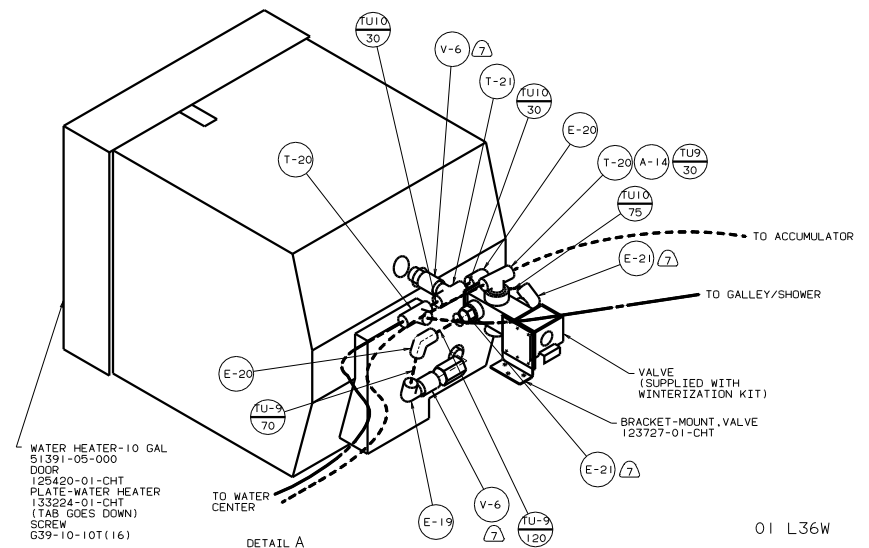
DETAIL A
53F
53J



DETAIL A
53F
53D



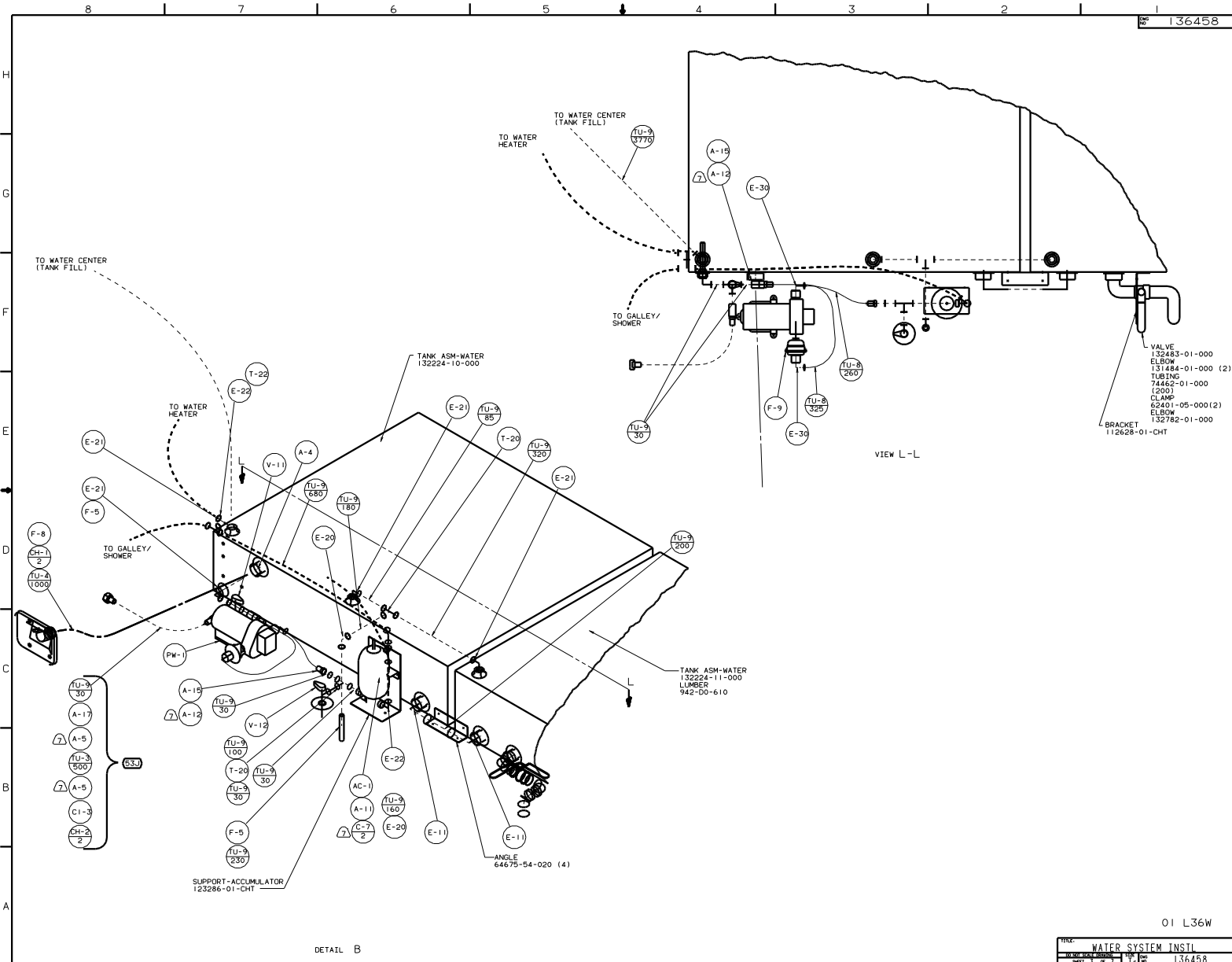
DETAIL A
1B2
53J



DETAIL A
53D
1B2

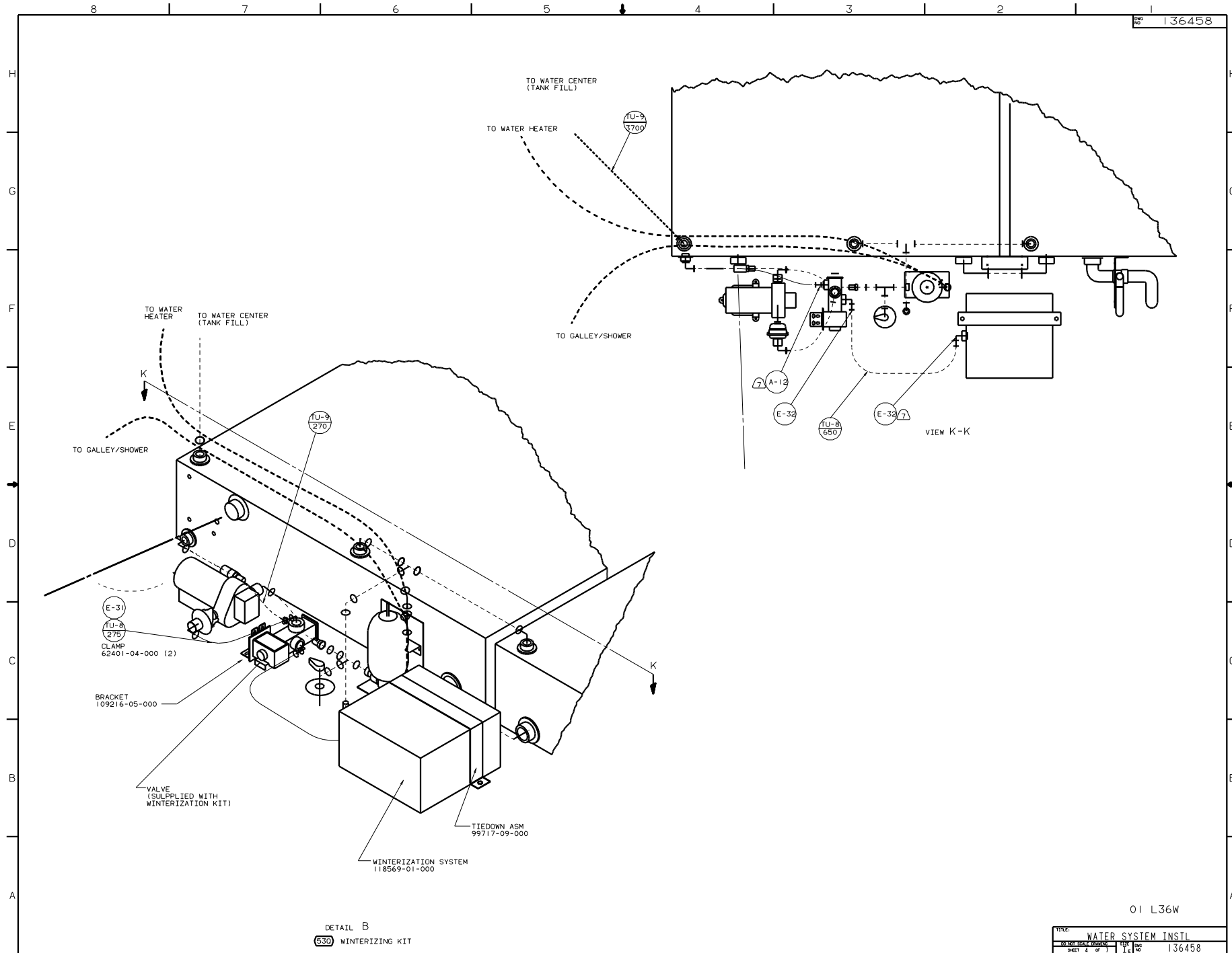
01 L36W

TITLE		WATER SYSTEM INSTL	
NO	DATE	BY	CHK
2	7	1	1
SHEET		136458	

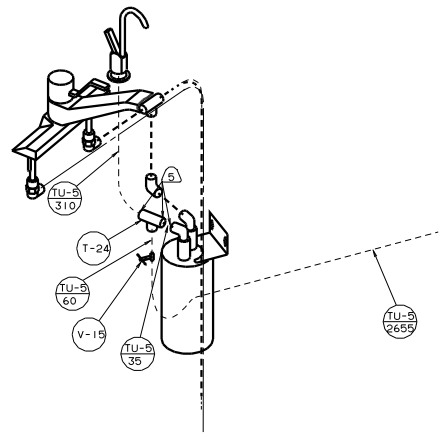


VIEW L-L

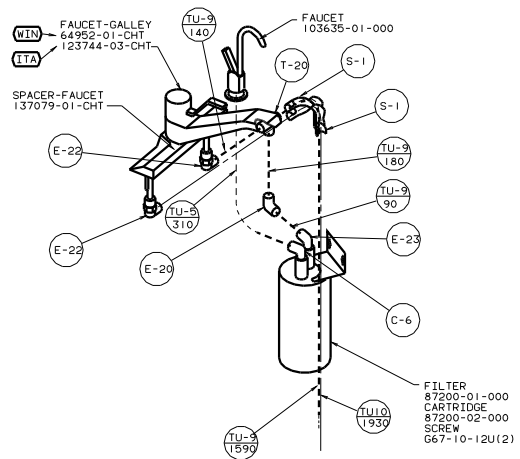
DETAIL B



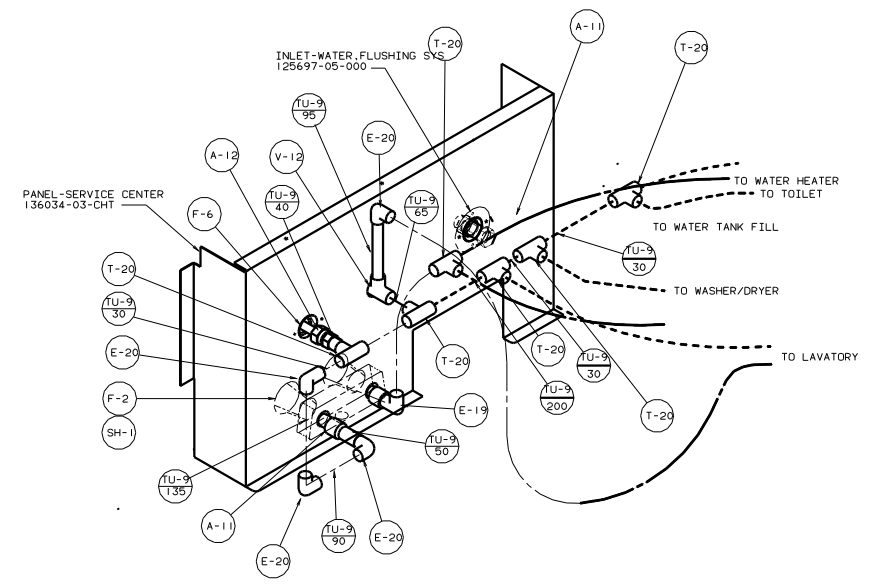
01 L36W



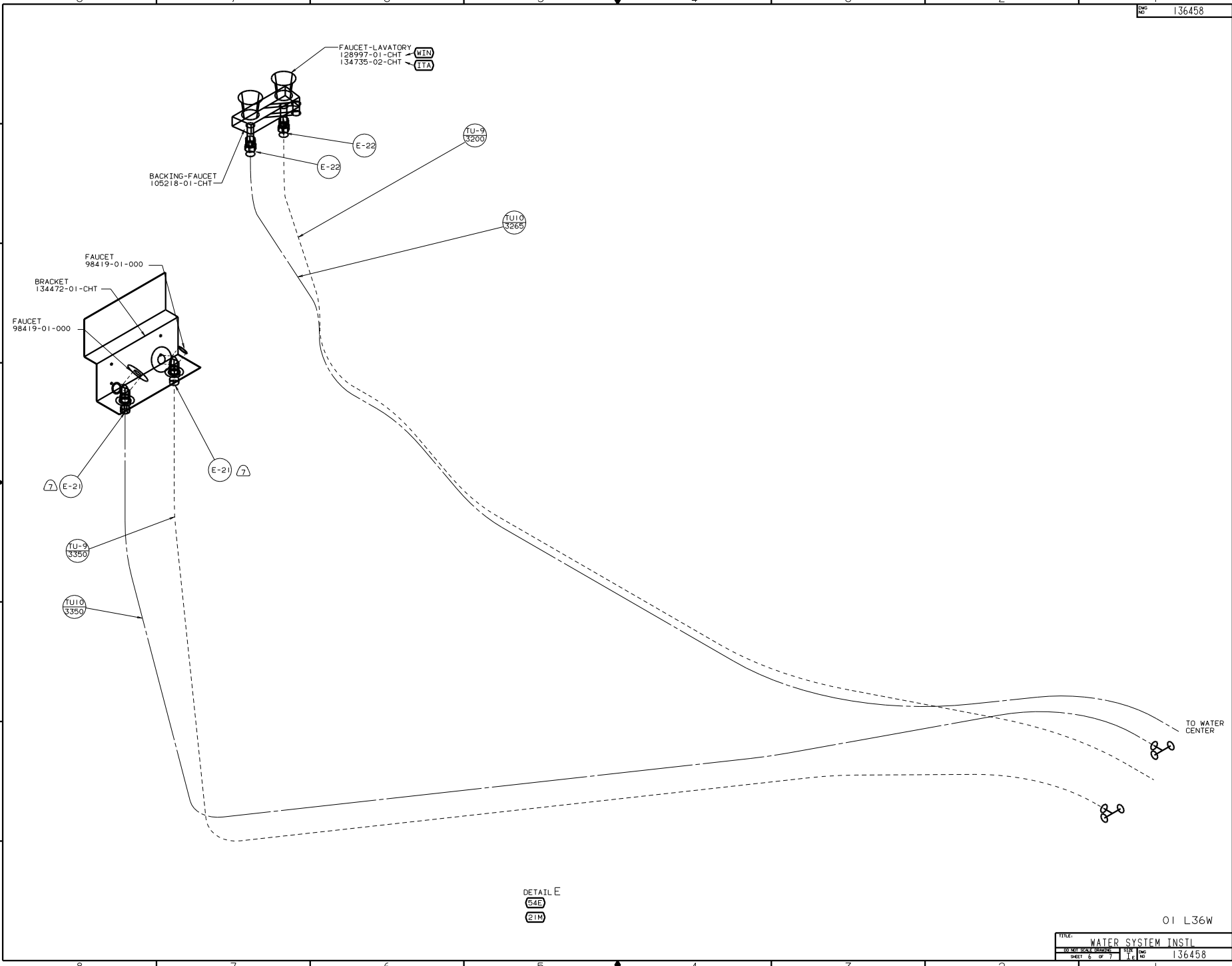
DETAIL C (29B) 15U 79W



DETAIL C (29B)



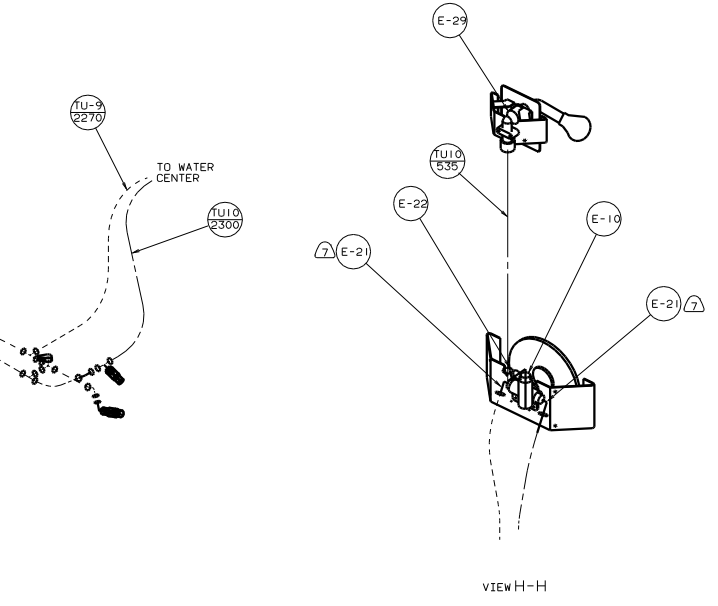
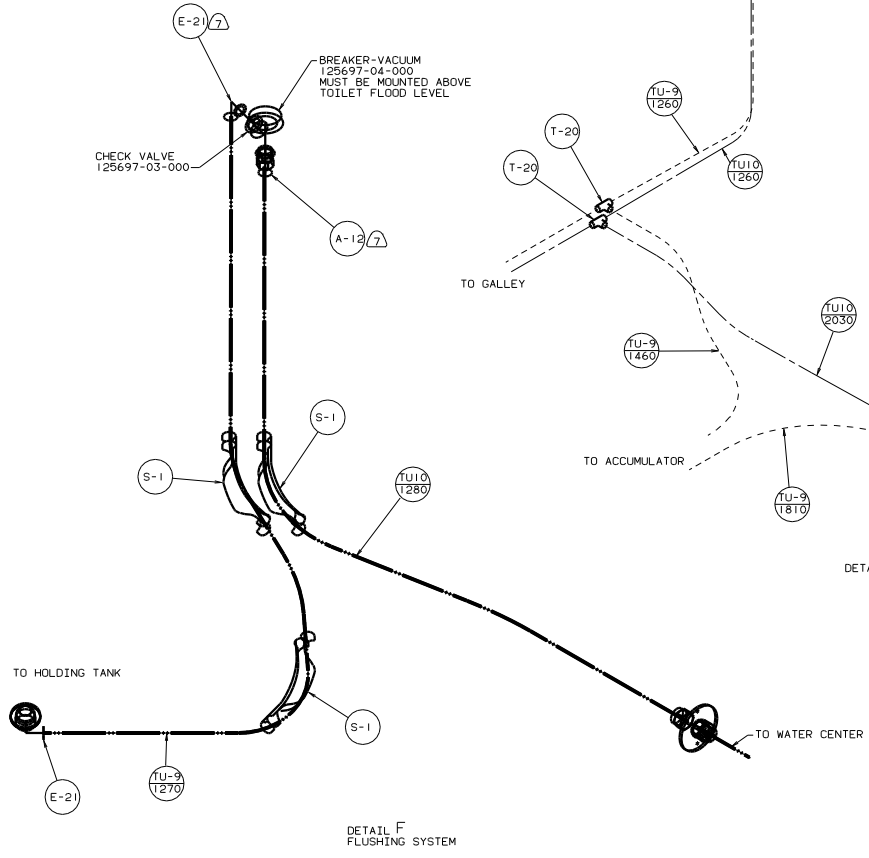
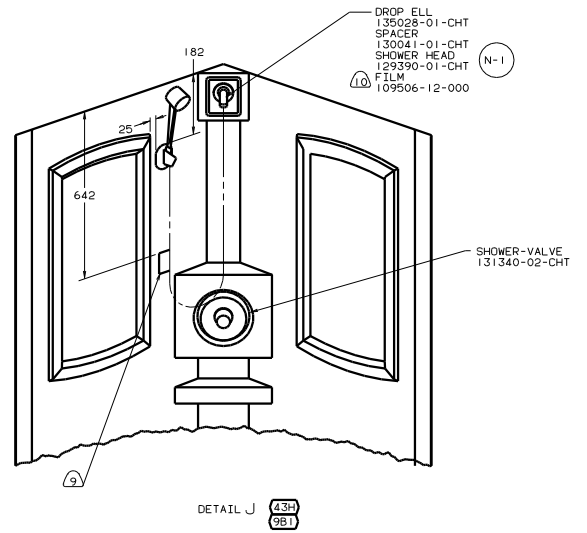
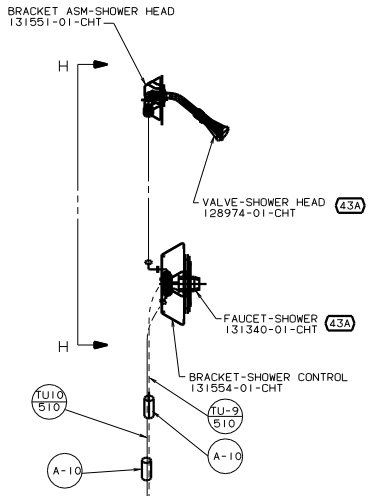
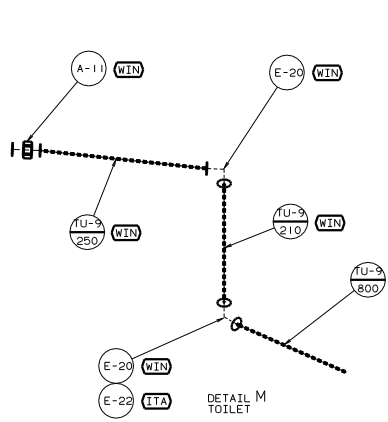
DETAIL D (64R)



DETAIL E
 54E
 21M

01 L36W

TITLE: WATER SYSTEM INSTL	
DO NOT SCALE DRAWING	DATE
SHEET 6 OF 7	1.6
136458	



TITLE: WATER SYSTEM INSTL	
NO. OF SHEETS: 7	SHEET NO. 7
DATE: 1/1/00	REV. NO. 136458