

- 9. SECURE PIPES TO CABINET USING WIRE TIE 108046-02-000 AND SCREW 067-10-12U (8).
- Ⓐ VENT PIPE MUST PROJECT 51 MIN TO 64 MAX ABOVE ROOF FOR PROPER FIT AND FUNCTION.
- 7. SEE DWG 61607-01-000 FOR INSTL GROMMET.
- 6. SEAL ALL AROUND SHOWER PAN.
- Ⓐ TRIM TO FIT.
- 4. ALL EXTERIOR OPENINGS AROUND PIPE TO BE SEALED WITH 110744-01-000.
- 3. ALL PIPE AND FITTINGS TO BE ASSEMBLED WITH SOLVENT 4020-01-000.
- 2. SLOP OF TRAP MUST BE 6 PER 300 MINIMUM.
- 1. SLOP OF HORIZONTAL PIPING TO BE 6 PER 300 MINIMUM.

NOTES:

- (WIN) WINNEBAGO ONLY
- (ITA) ITASCA ONLY
- (44E) COUNTRTOP-SOL. SURFACE-GALLEY
- (430) TOILET-PORCELAIN
- (43M) TOILET PORCELAIN-ELONGATE
- (265) CODES/STANDARDS-CSA/CMVSS
- (IB) CODES/STANDARDS USA

DATE		UNSPECIFIED TOLERANCES ARE:		MATERIAL:	
DATE	DATE	FRAC. DIM (1:1)	+	0	
DATE	DATE	ONE-PLACE (1:1)	+	0	
DATE	DATE	TWO-PLACE (1:1)	+	0	
DATE	DATE	ANGLE	+	0	
DATE	DATE	THIRD ANGLE	+	0	
DATE	DATE	PROJECTOR	+	0	
L35U		TITLE:		DRAINAGE SYSTEM INSTL	
116229-01-000		SHEET		1 OF 4	
135177		REF:		133635 J I	

FOR DRAINAGE CALLOUTS SEE DWG NO. 116229-01-000

SINK-LAVATORY
105921-01-CHT
SEAL
91255-02-000 (A/R)

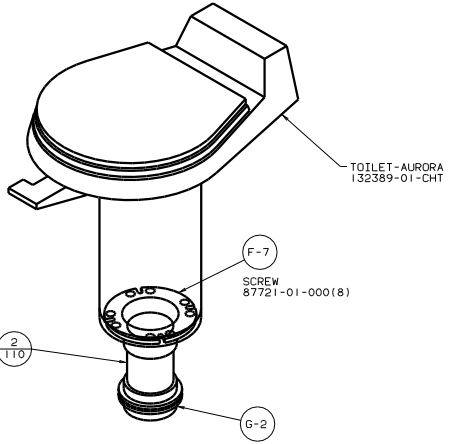
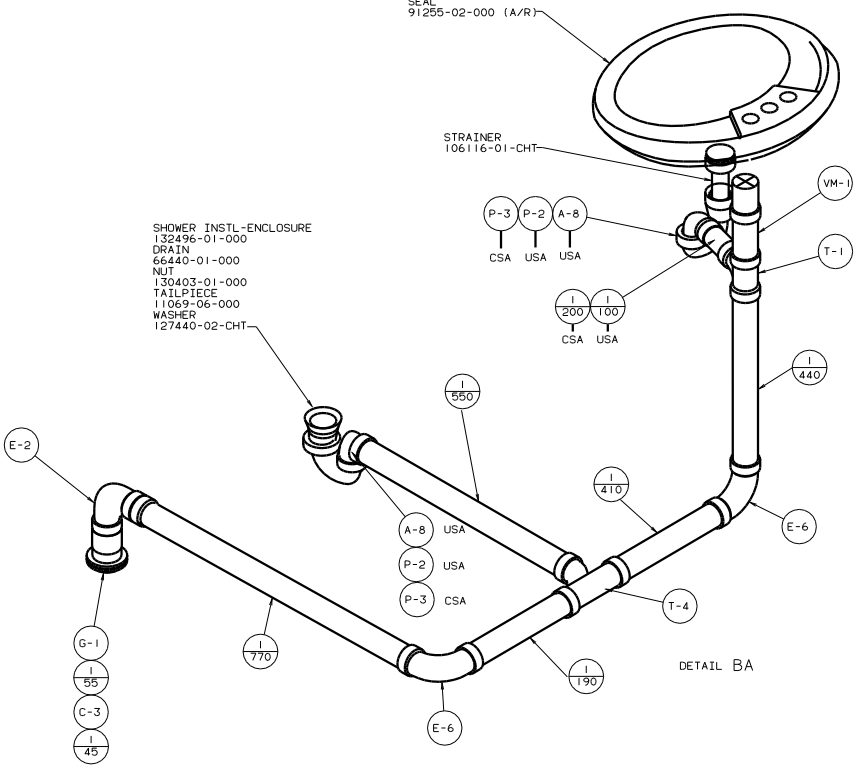
STRAINER
106116-01-CHT

SHOWER INSTL-ENCLOSURE
132496-01-000
DRAIN
66440-01-000
NUT
130403-01-000
TAILPIECE
11069-06-000
WASHER
127440-02-CHT

P-3 CSA P-2 USA A-8 USA

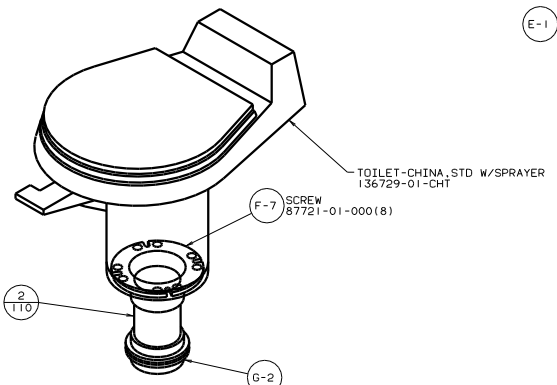
I 200 CSA I 100 USA

DETAIL BA



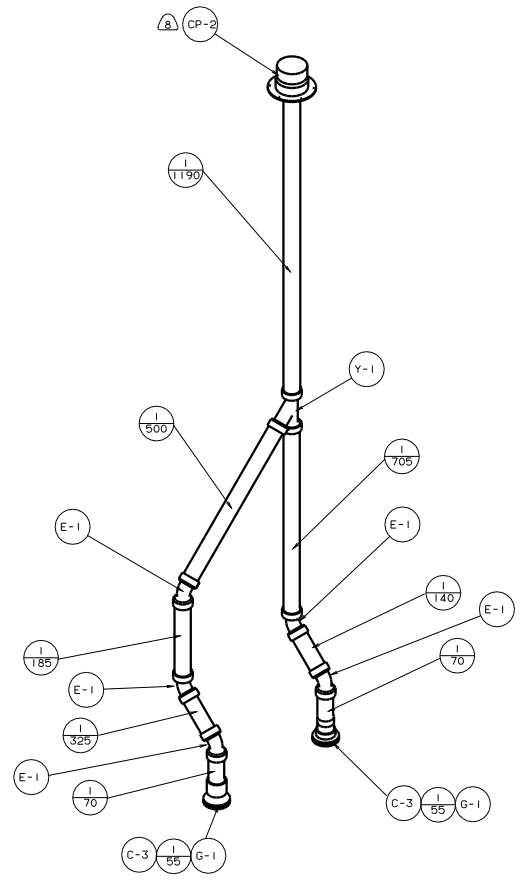
DETAIL BB

43D LTA



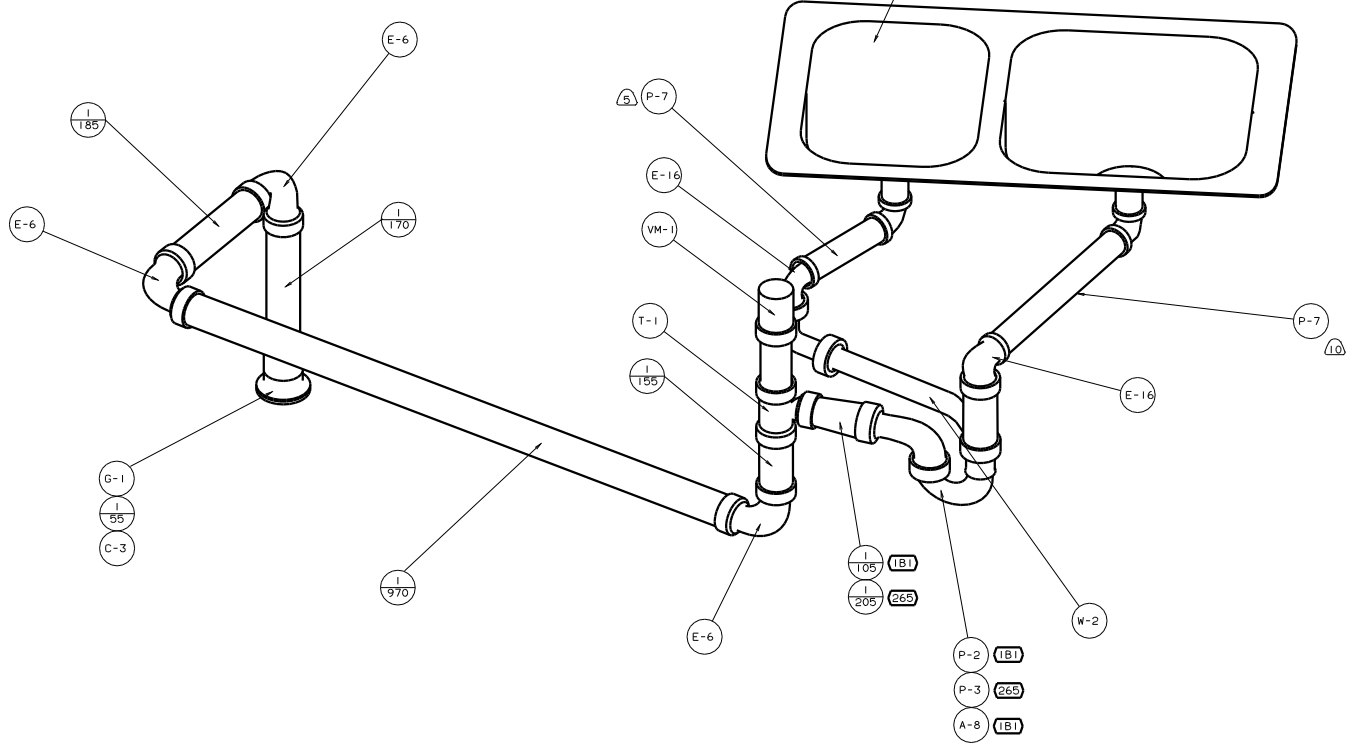
DETAIL BB

43M WIN

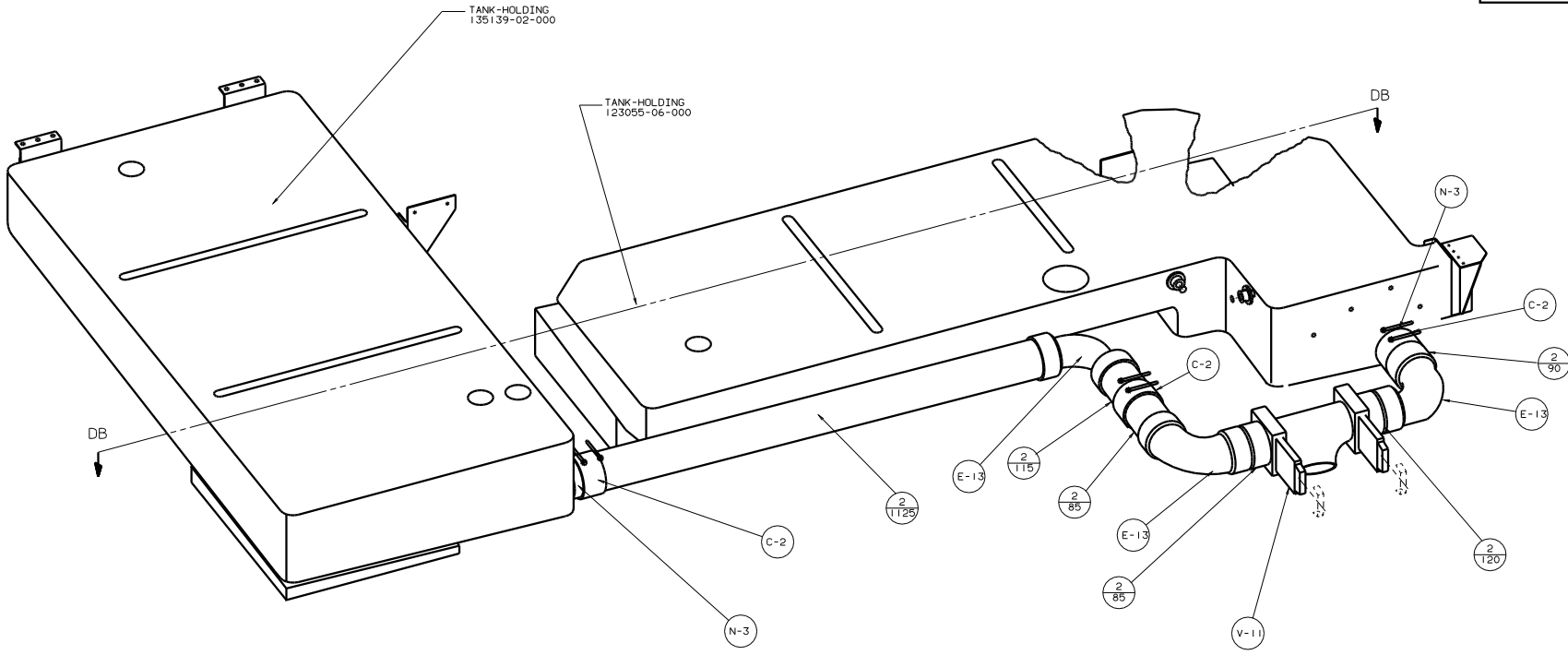


DETAIL BC

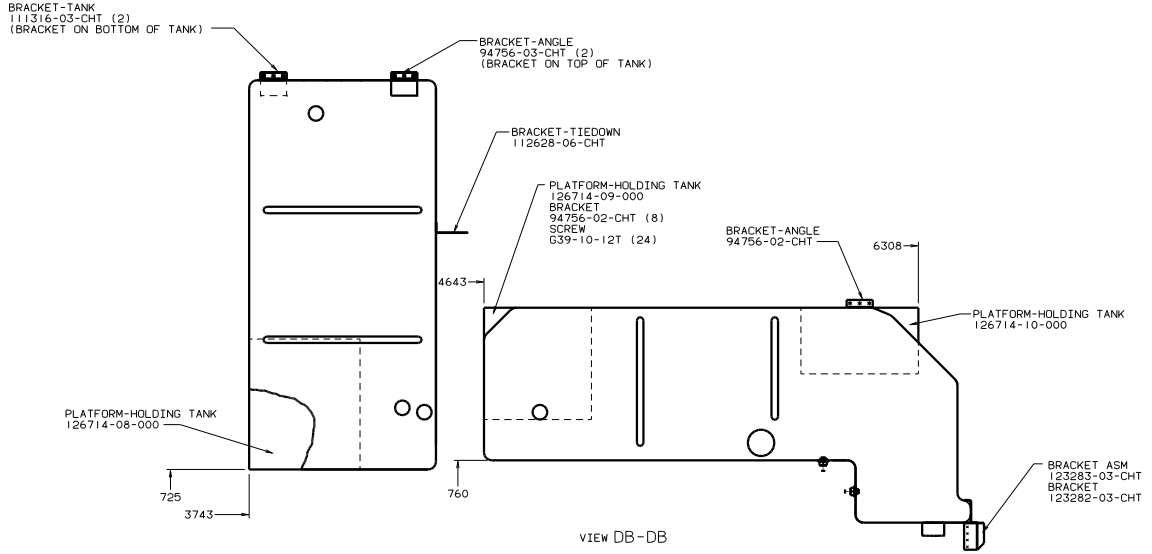
- SINK-SST, DOUBLE
- 110654-01-000
- STRAINER
- 92303-01-000 (2)
- SEAL
- 91255-02-000 (A/R)
- SCREW
- G67-06-10U (2)
- WASHER-RUBBER
- 127440-02-CHT (2)
- RETAINER
- 44B 81828-01-CHT
- 83699-15-CHT (2)
- 83699-18-CHT
- 83699-19-CHT (3)

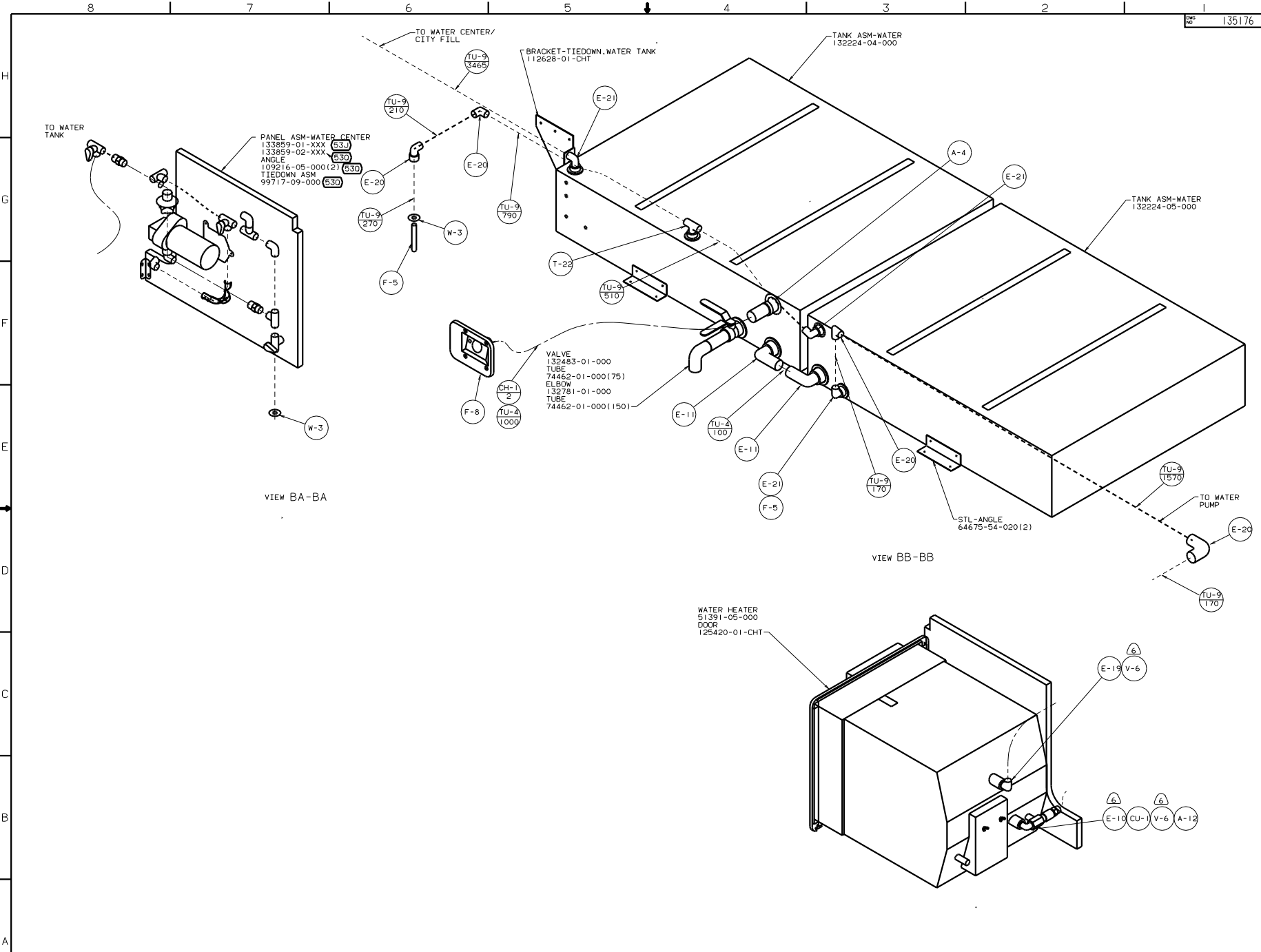


VIEW CA



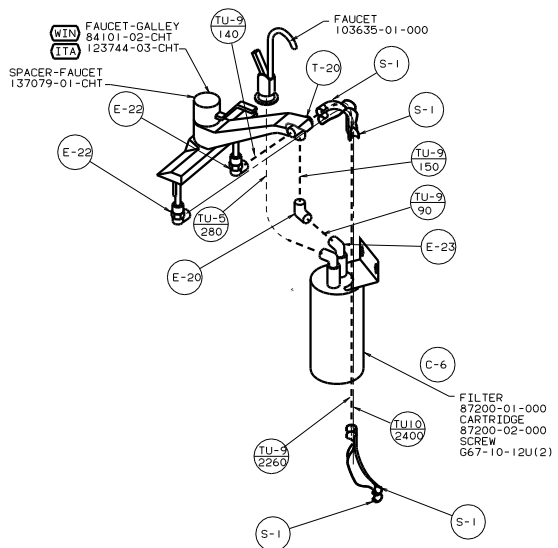
DETAIL DA



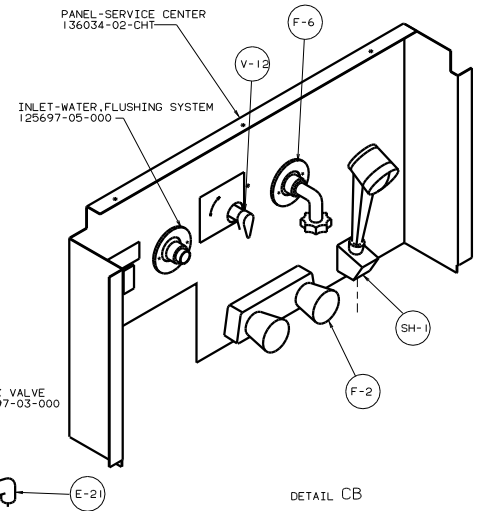


DETAIL BC (B2)

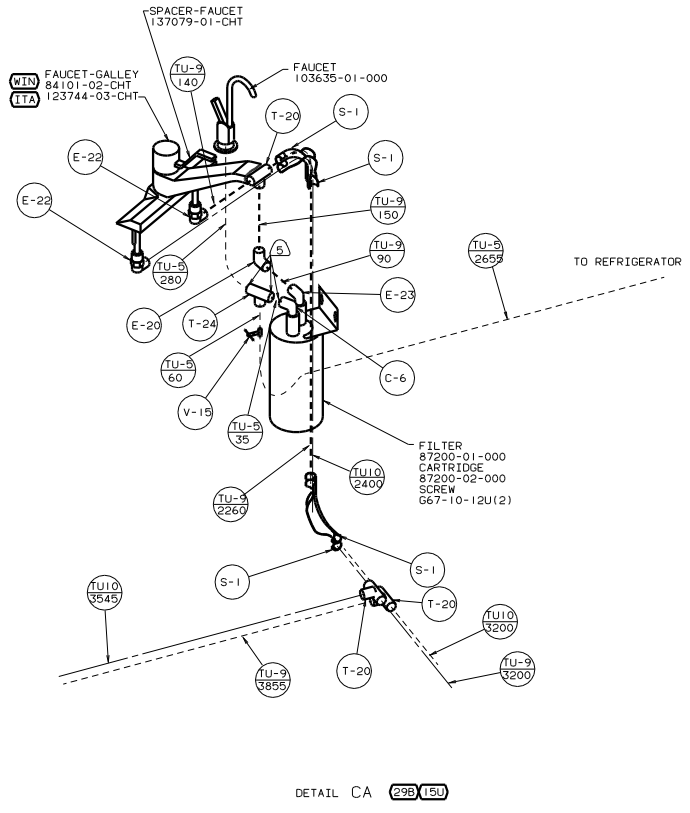
01 L35U



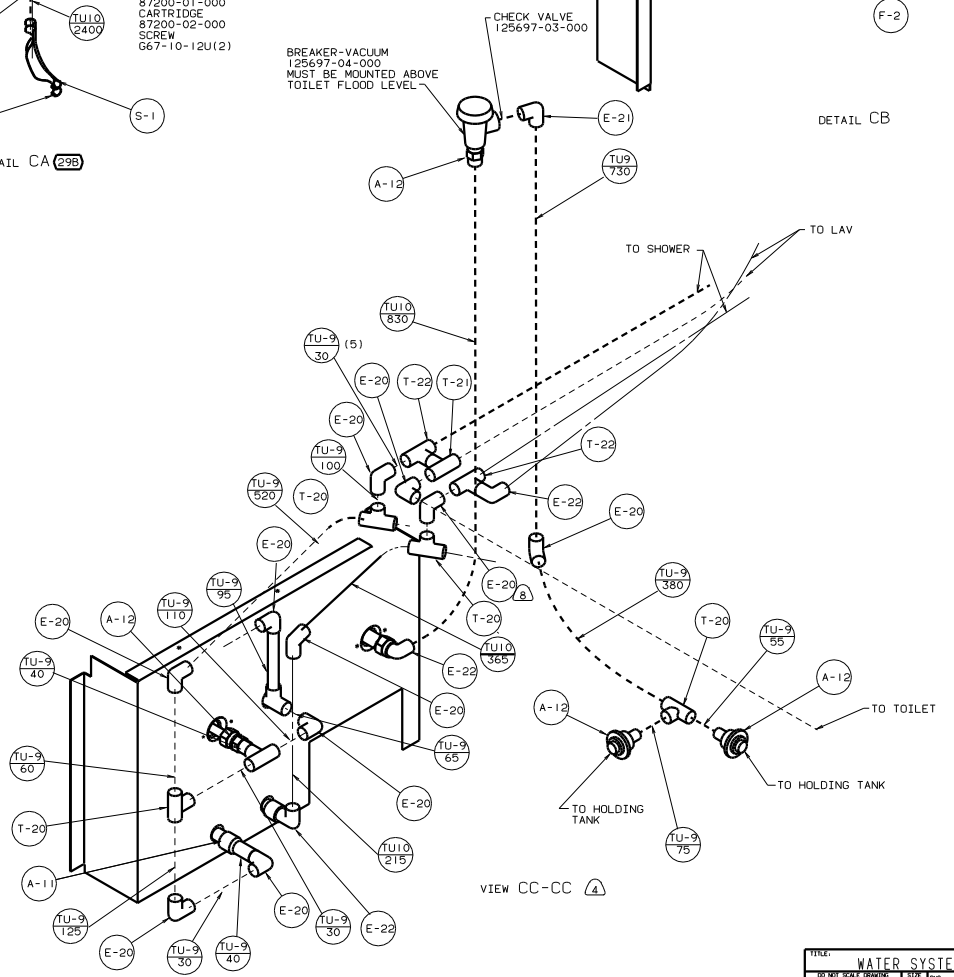
DETAIL CA (29B)



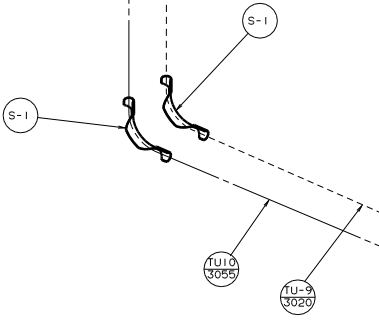
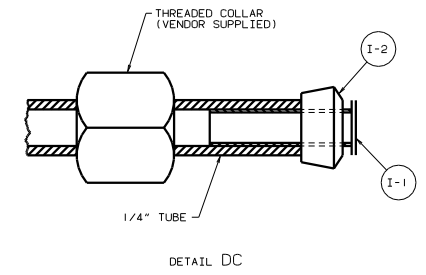
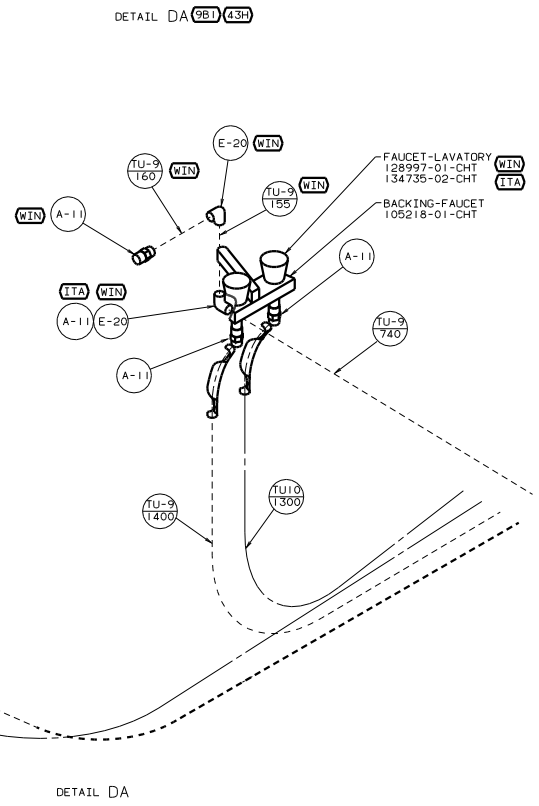
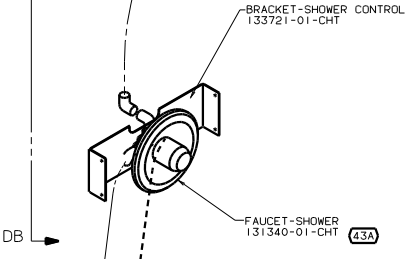
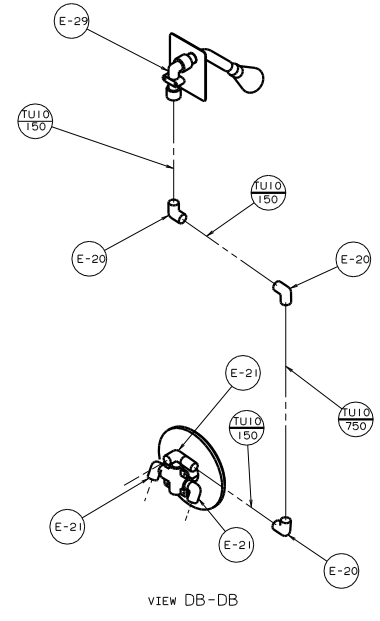
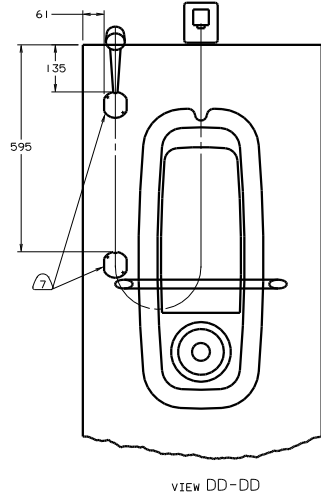
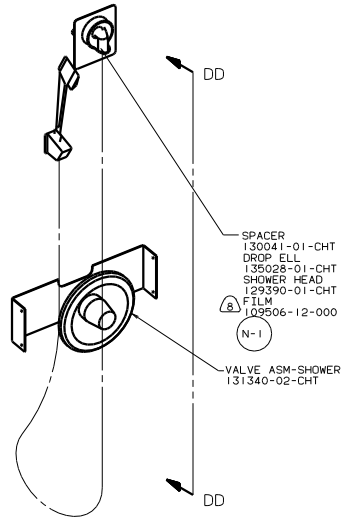
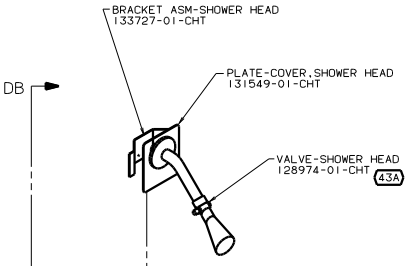
DETAIL CB



DETAIL CA (29B, 15U)



VIEW CC-CC (A)



DETAIL DA