

TANK-HOLDING  
132320-02-000

TANK-HOLDING 67 GAL  
125948-06-000

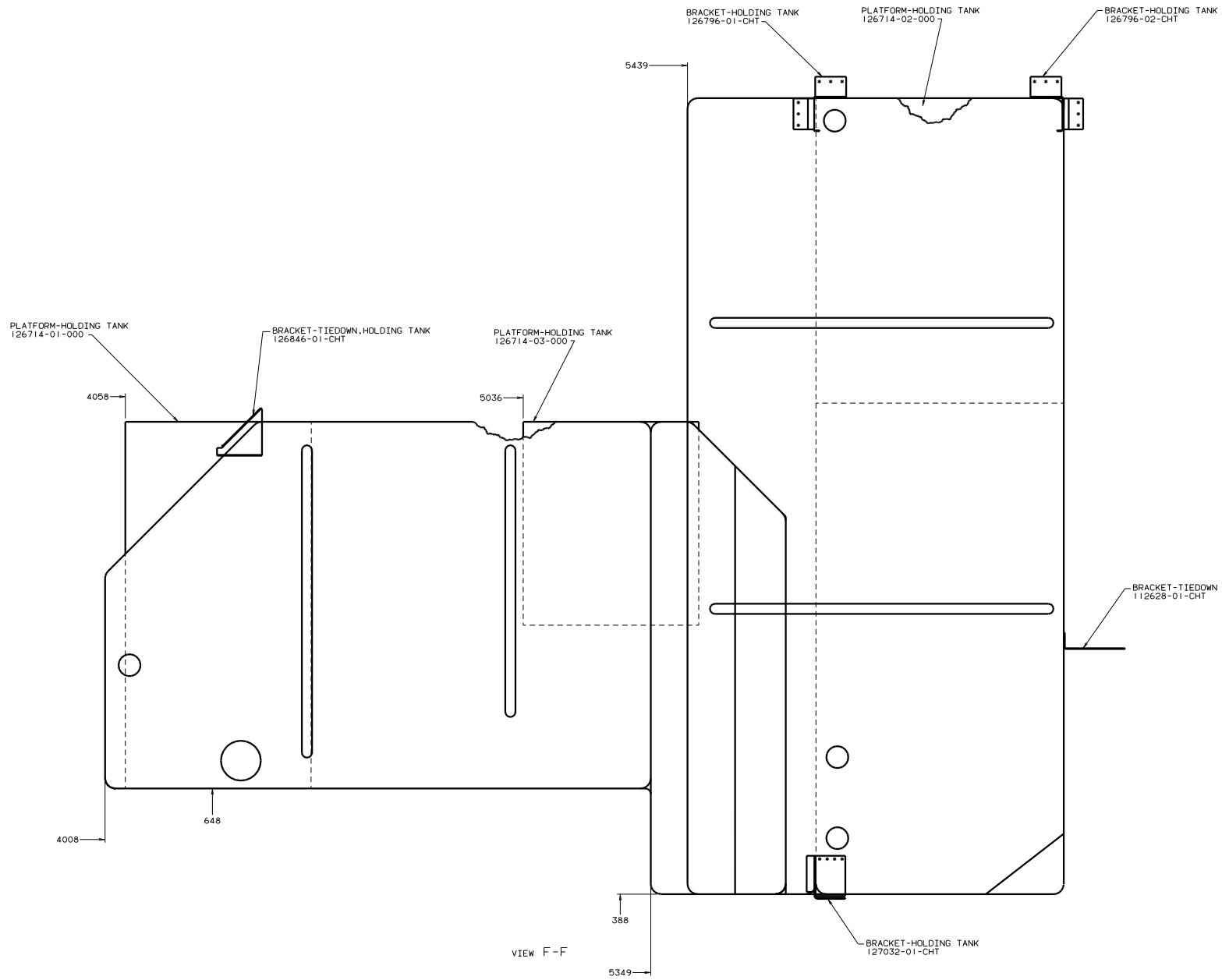
DETAIL E

SHOWER INSTL-ENCLOSURE  
131620-03-000  
DRAIN  
66440-01-000  
NUT-SLID  
130403-01-000  
TAILPIECE  
11069-06-000  
WASHER  
127440-02-CHT

VIEW D-D (140)

00 L34Y

TITLE: DRAINAGE SYSTEM INSTL	
NO. OF SHEETS: 4	SHEET NO: 3
DATE: 1/85	REV: 1
132899	



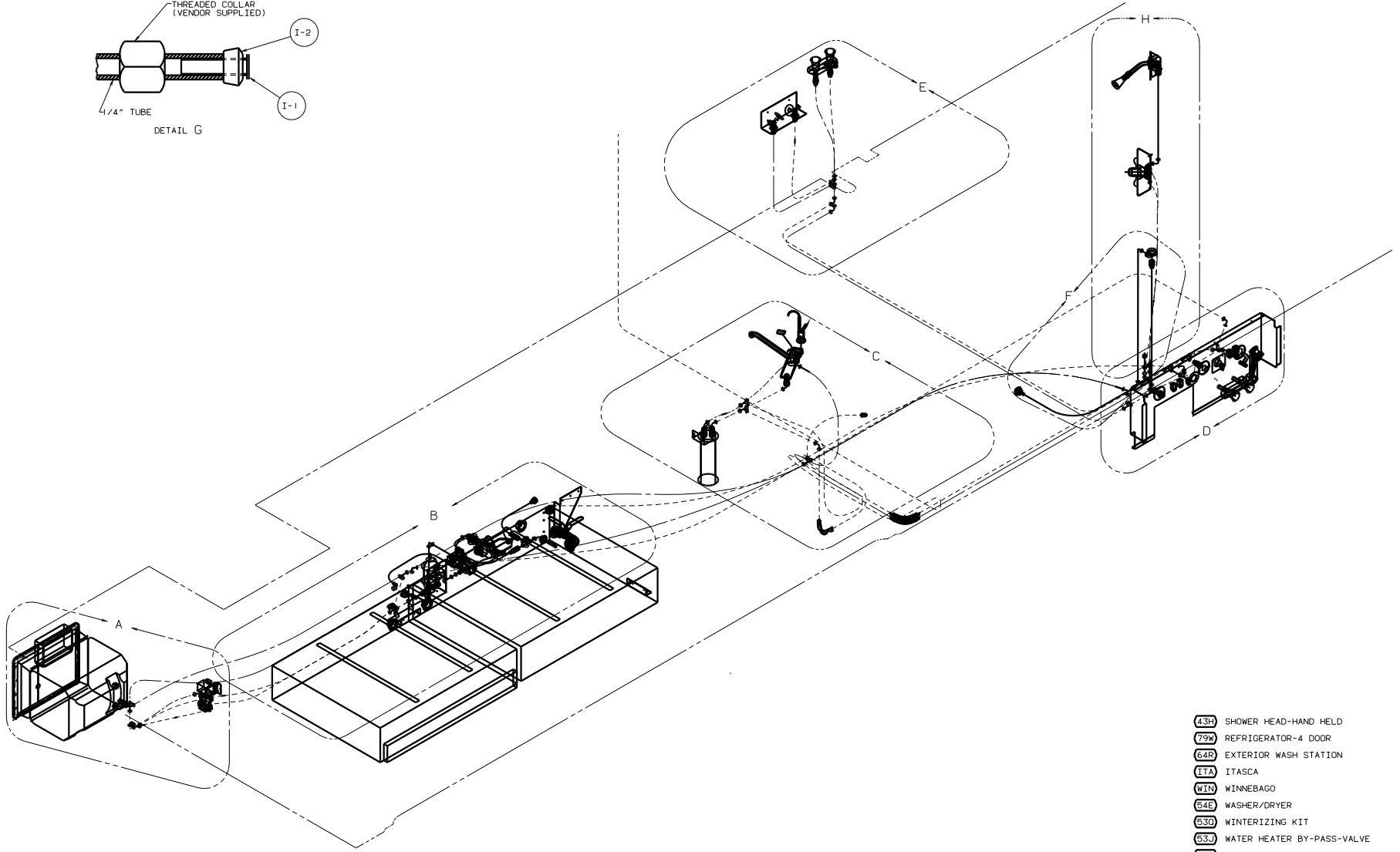
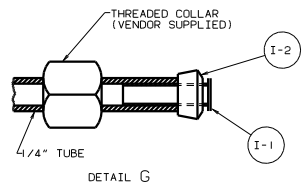
VIEW F-F

00 L34Y

TITLE: DRAINAGE SYSTEM INSTL	
30 101 0000 0000	1.0
SHEET 4 of 4	132899

DWG NO  
136494-01  
136494-02

RELEASE A1 DATE 07/28/05 DWG NO 136494  
REV. DATE REVISION RECORD DATE P/EN-DRS



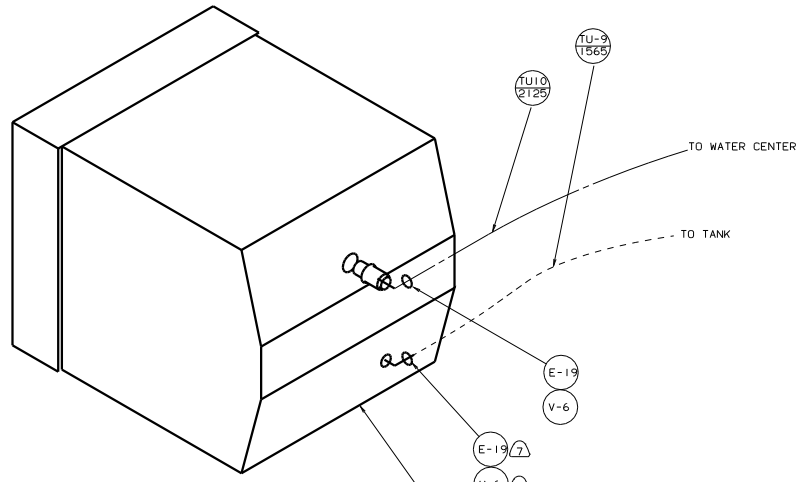
- 5 USE DETAIL "G" IN THIS AREA.
- 4 CLAMPS MUST BE ON BARBS.
3. ALL TUBING TO BE SECURED AT 1200 INTERVALS MAXIMUM WITH CLAMP 10495-01-000 OR CLIP 91951-01-00 AND SCREW G67-10-12B.
2. TUBING TO BE INSTALLED WITH SUFFICIENT SLOPE TO PROVIDE DRAINAGE TO NEAREST VALVE.
1. PLASTIC FITTINGS TO BE SEALED WITH SEALANT 84456-01-000.
- NOTES:
- 10 APPLY DECAL INSIDE OF UPPER SHOWER HEAD HOLDER TO RETAIN HAND SHOWER UNIT INSIDE HOLDER.
- 9 PRE-DRILL SHOWER SURROUND WITH 5.0 DIA HOLES USING MOUNTING BRACKET AS A TEMPLATE.
- 8 ADD TEFLON TAPE 10405-03-000 TO FITTING.
- 7 ADD TEFLON TAPE 10405-02-000 TO FITTING.
- 6 FLUSHING SYSTEM REQUIRES 125697-06-000 INSTL. SHEET.

- 43H SHOWER HEAD-HAND HELD
- 79W REFRIGERATOR-4 DOOR
- 64R EXTERIOR WASH STATION
- ITA ITASCA
- WIN WINNEBAGO
- 64E WASHER/DRYER
- 63D WINTERIZING KIT
- 53U WATER HEATER BY-PASS-VALVE
- 15U REFRIGERATOR/FRZR W/ICEMAKER
- 1B2 WTR HTR-10GAL/ELEC/LP/MTRAIID

LEGEND		DATE		UNDESIGNED TOLERANCES ARE:	
HOT	-----	DATE	DATE	WHOLE DIM (IN)	FRACTION
COLD	-----	DATE	DATE	ONE-PLACE (IN, INI)	1
		DATE	DATE	TWO-PLACE (IN, INI)	10
		DATE	DATE	THREE-PLACE (IN, INI)	100
		DATE	DATE	FOUR-PLACE (IN, INI)	1000
		DATE	DATE	FIVE-PLACE (IN, INI)	10000

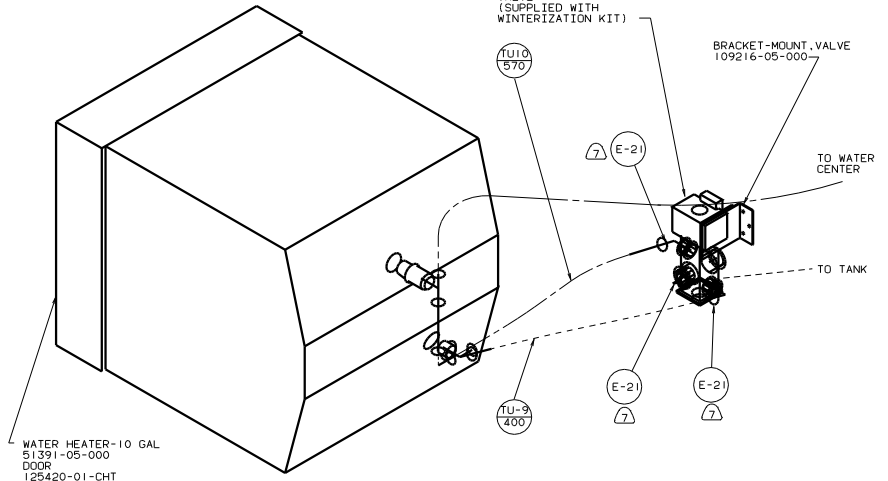
FOR WATER CALLOUTS SEE DWG NO. 116230-01-000		TITLE: WATER SYSTEM INSTL	
L34Y	SCALE: NONE	SHEET 1 OF 7	DWG NO 136494
ALL DIMENSIONS ARE IN MILLIMETERS			



DETAIL A

1B2  
53J

WATER HEATER-10 GAL  
51391-05-000  
DOOR  
125420-01-CHT  
PLATE-WATER HEATER  
133224-01-CHT  
(TAB GOES DOWN)  
SCREW  
G39-10-10T(16)



DETAIL A

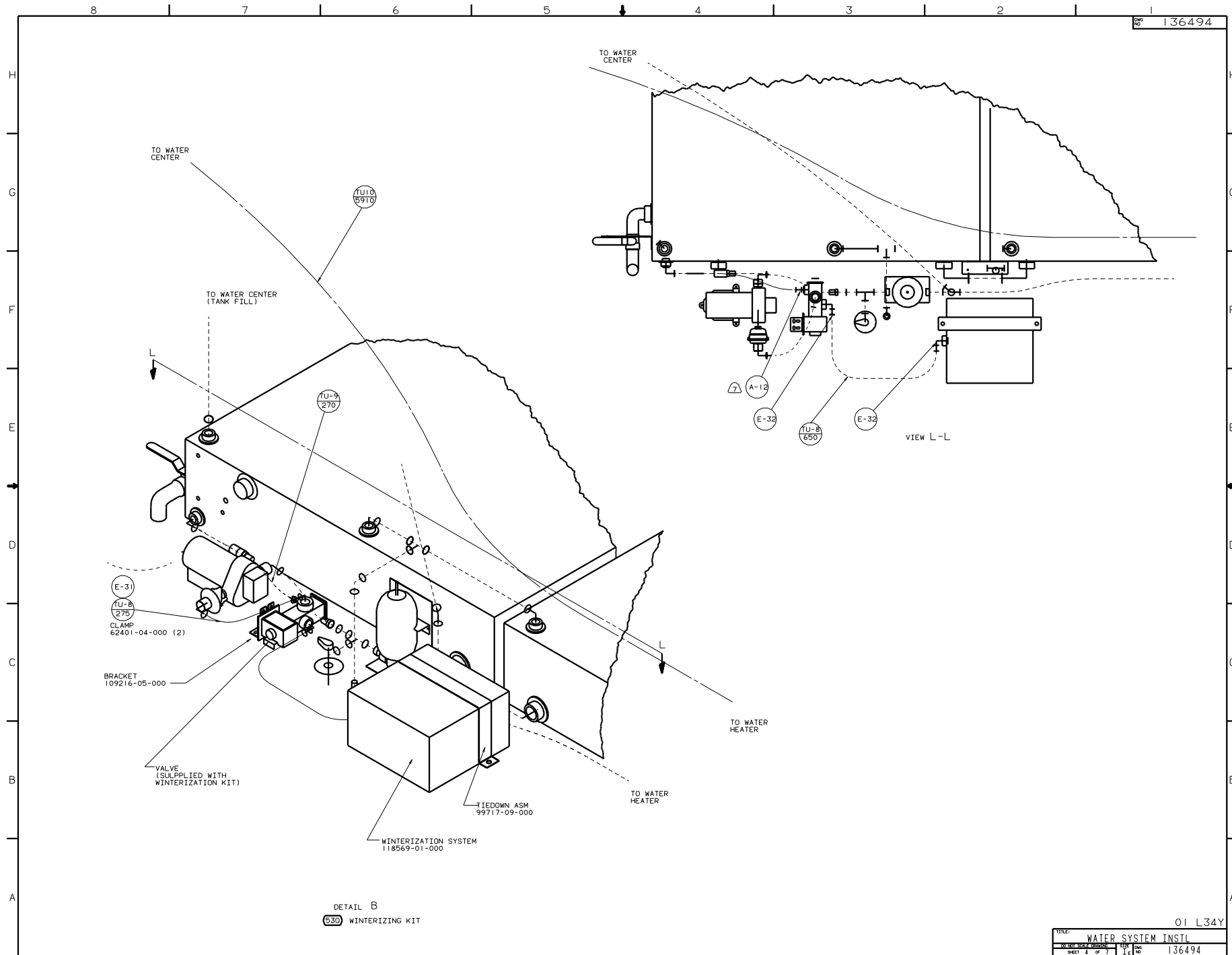
530  
1B2

WATER HEATER-10 GAL  
51391-05-000  
DOOR  
125420-01-CHT  
PLATE-WATER HEATER  
133224-01-CHT  
(TAB GOES DOWN)  
SCREW  
G39-10-10T(16)

01 L34Y

TITLE		WATER SYSTEM INSTL	
DO NOT SCALE DRAWING	FIG	1	136494
SHEET 2 OF 7	REV		





DETAIL B  
WINTERIZING KIT





