

9. SECURE VENT TUBES TO FLOOR WITH BRACKET.
- VENT PIPE MUST PROJECT 51 MM MIN AND 64 MM MAX ABOVE ROOF FOR PROPER FIT AND FUNCTION.
 - SEE DWG 61607-01-000 FOR INSTL OF GROMMETS.
 - SEAL ALL AROUND SHOWER WITH SILICONE.
 - EXPOSED PIPE ABOVE ROOF TO BE PAINTED WITH 37163-01-000.
 - ALL EXTERIOR OPENINGS AROUND PIPE TO BE SEALED WITH 11074-01-000.
 - ALL PIPE AND FITTINGS TO BE ASSEMBLED WITH SOLVENT 4020-01-000.
 - SLOPE OF TRAP ARM MUST BE 6 PER 305.
 - SLOPE OF HORIZONTAL PIPING TO BE 6 PER 305 MIN.

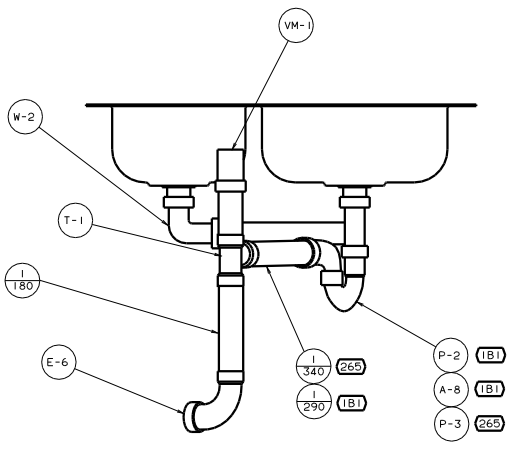
- 44E COUNTRTOP-SOL. SURFACE-GALLEY
- ITA ITASCA ONLY
- WIN WINNEBAGO ONLY
- 21M WASHER / DRYER PREP
- 54E WASHER/DRYER
- 265 CODES/STANDARDS-CSA/CMSS
- 1BT1 CODES/STANDARDS USA

X-X
 FOR DRAINAGE CALLOUTS
 SEE DWG NO. 116229-01-000

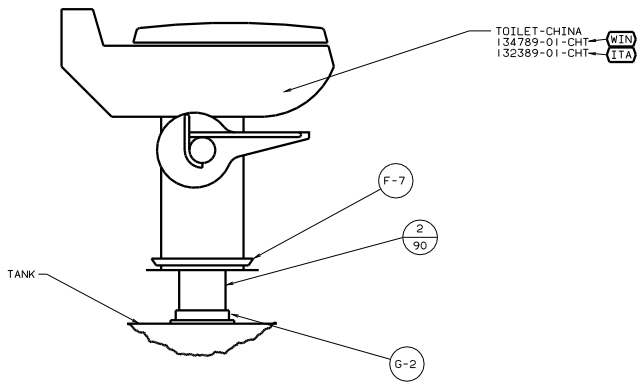
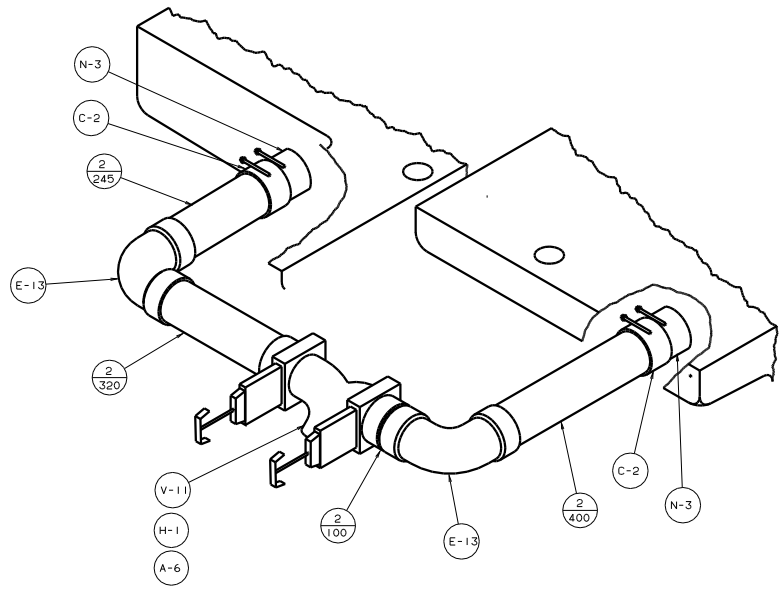
WINNEBAGO 01 G37G

DATE	DESCRIPTION	BY	CHKD

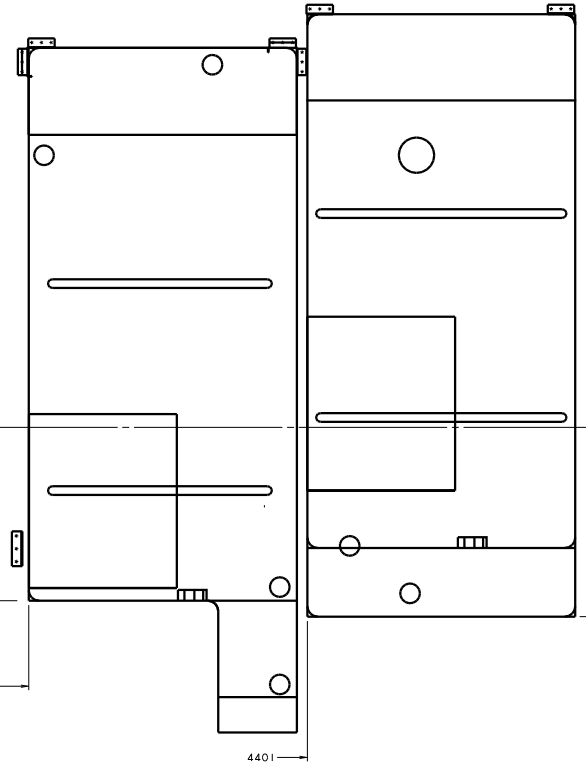
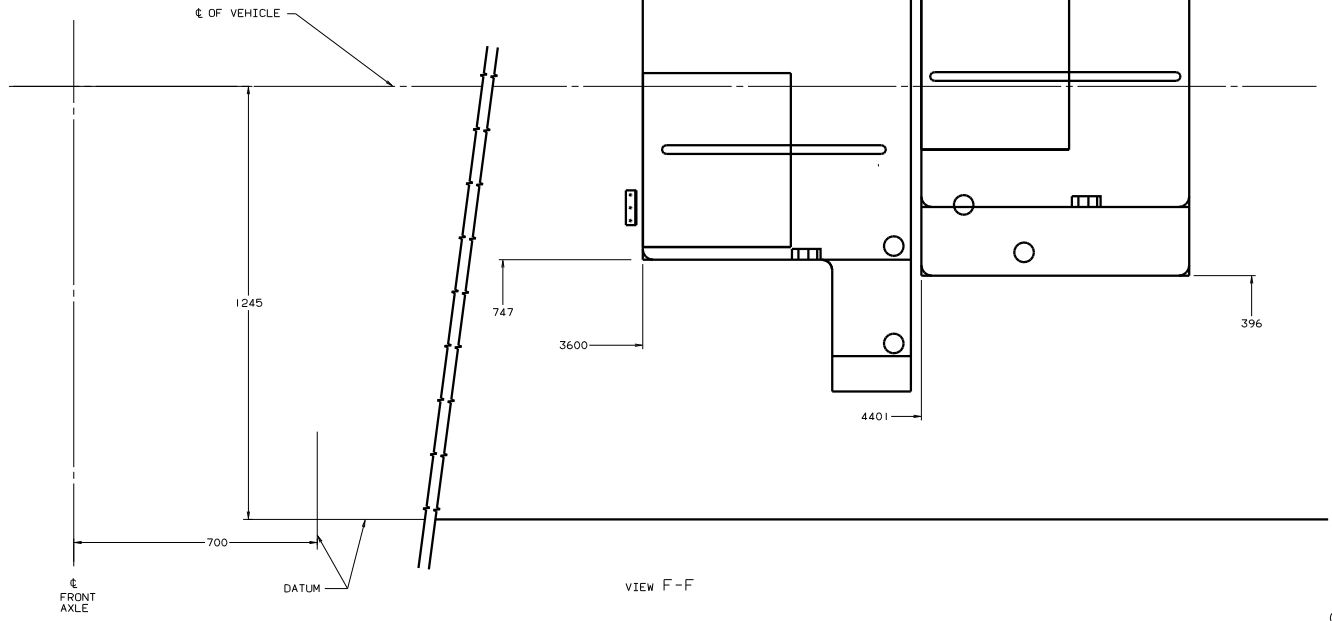
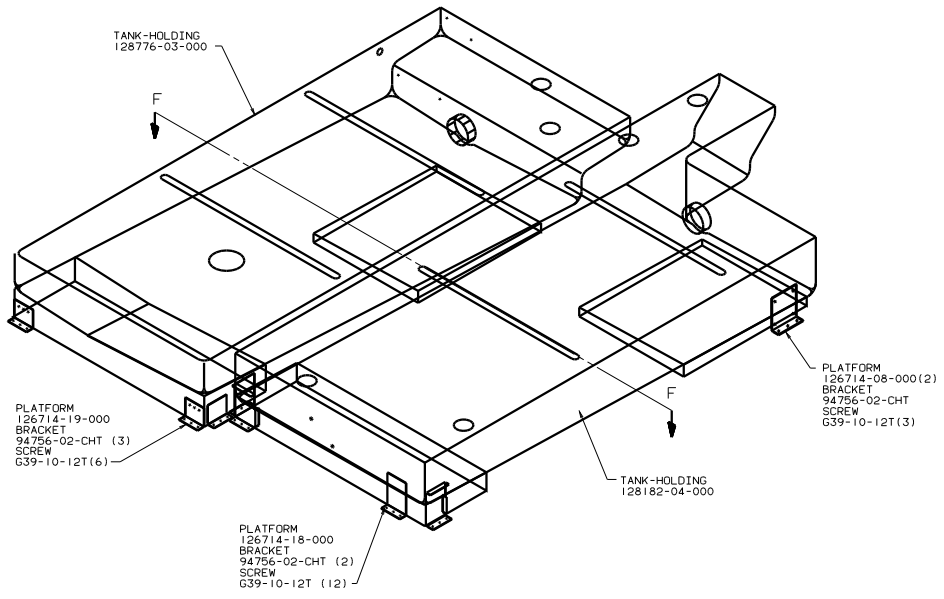
REV: 1 SCALE: NONE TITLE: DRAINAGE SYSTEM INSTL
 SHEET 1 OF 4



VIEW A-A

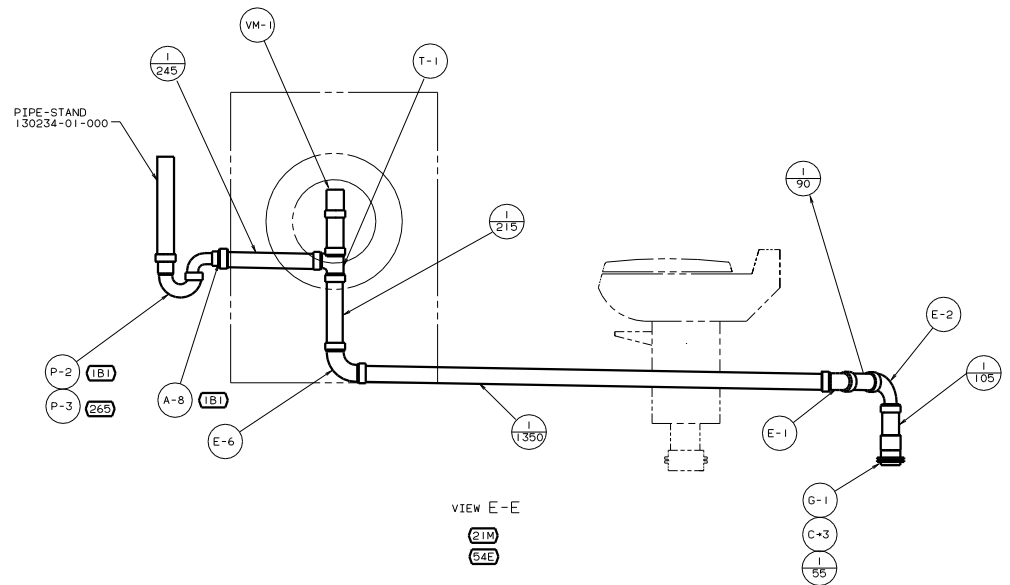
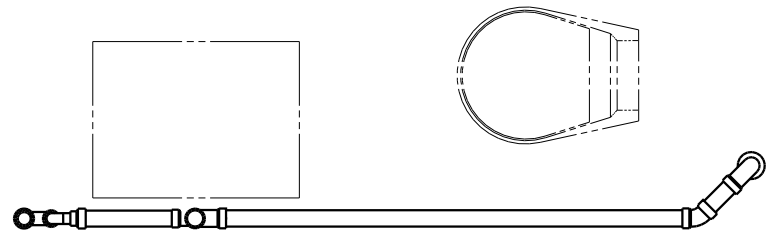


VIEW B-B



01 G37G

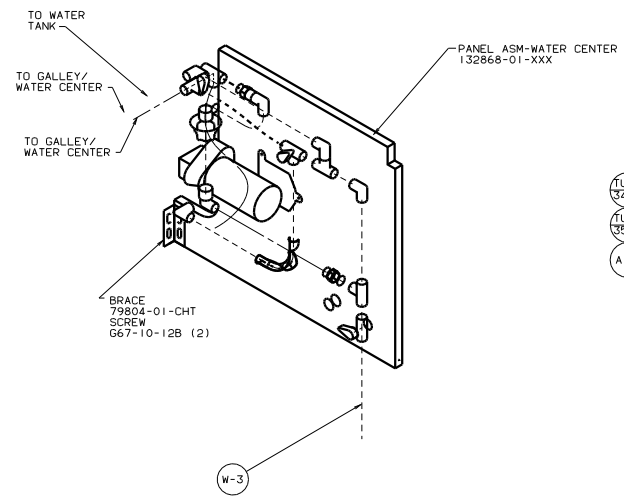
TITLE: DRAINAGE SYSTEM INSTL		DWG NO: 134880	
DO NOT SCALE DRAWING	SHEET 3 OF 4	REV	1/E



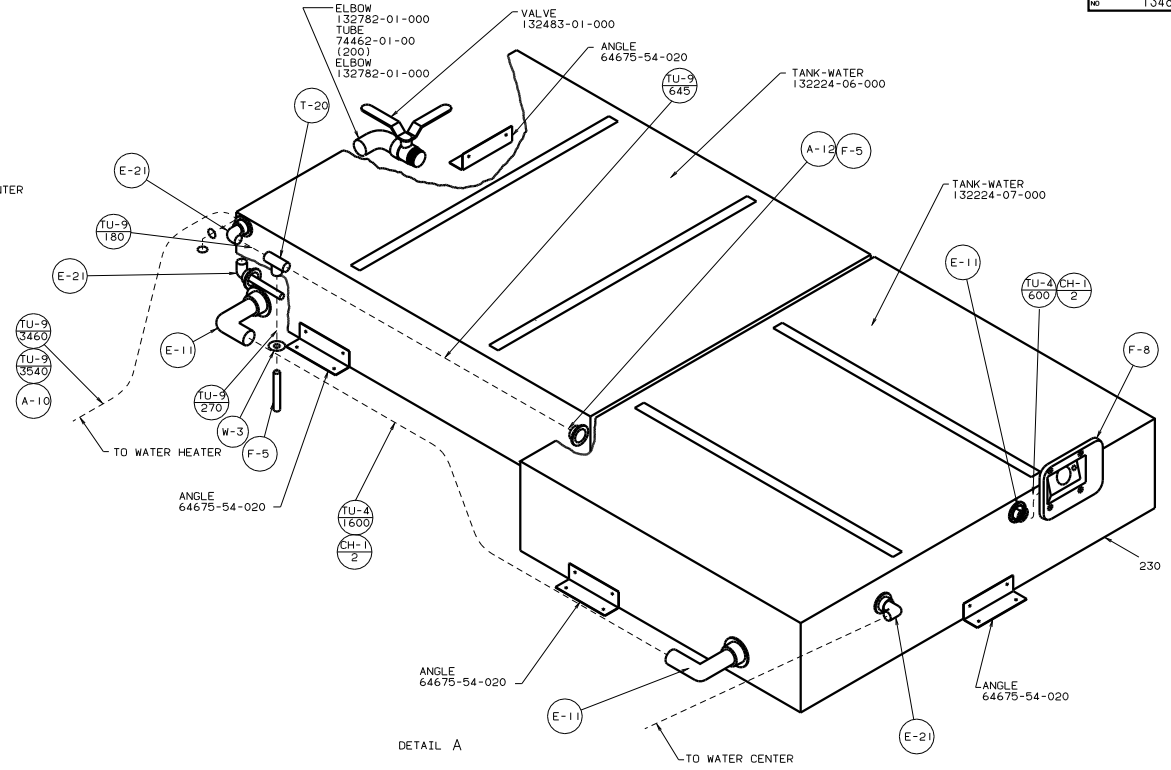
01 G37G

TITLE: DRAINAGE SYSTEM INSTL	
DATE: 01/01/00	REV: 1.0
SHEET: 4 OF 4	FIG NO: 134880

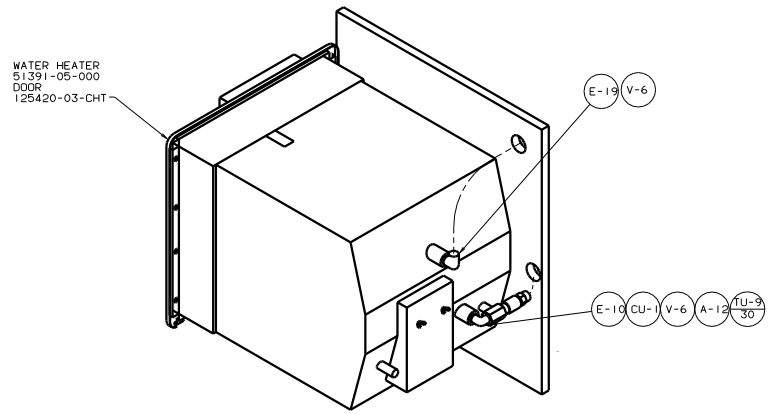
H
G
F
E
D
C
B
A



VIEW B-B

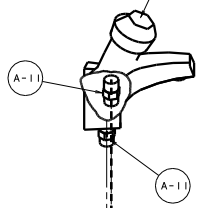


DETAIL A



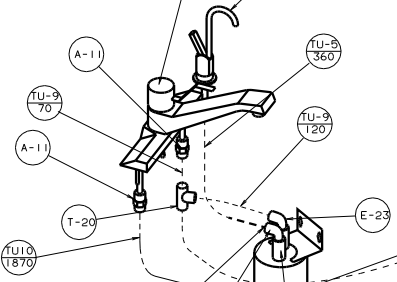
DETAIL C 1B2

FAUCET-LAV
128997-01-CHT
134735-02-CHT



FAUCET-GALLEY
104114-03-CHT
123744-03-CHT
SPACER-FAUCET
137079-01-CHT

FAUCET
103635-01-000

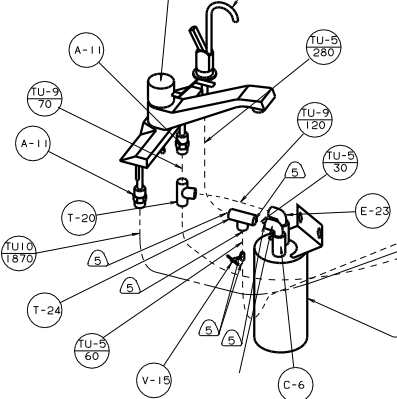


FILTER
87200-01-000
CARTRIDGE
87200-02-000
SCREW
G67-10-12U (2)

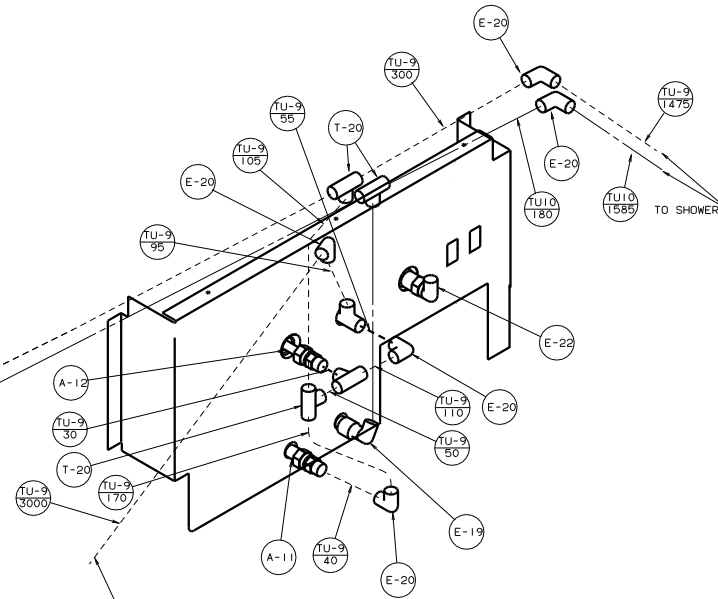
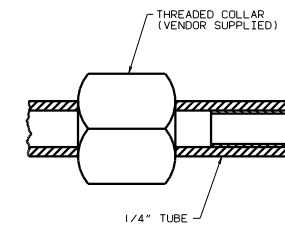


FAUCET-GALLEY
104114-03-CHT
123744-03-CHT
SPACER-FAUCET
137079-01-CHT

FAUCET
103635-01-000



FILTER
87200-01-000
CARTRIDGE
87200-02-000
SCREW
G67-10-12U (2)



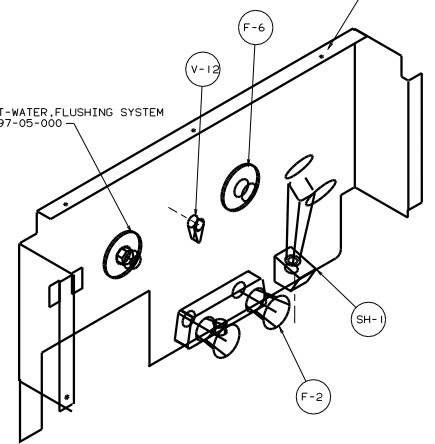
VIEW F-F

TO REFRIGERATOR

TO WATER TANK

PANEL-SERVICE CENTER
136034-02-CHT

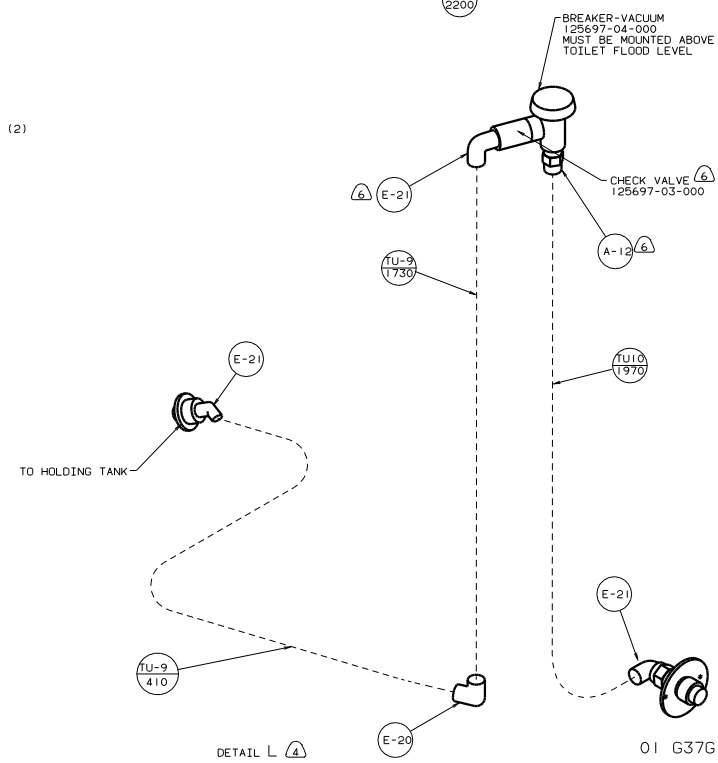
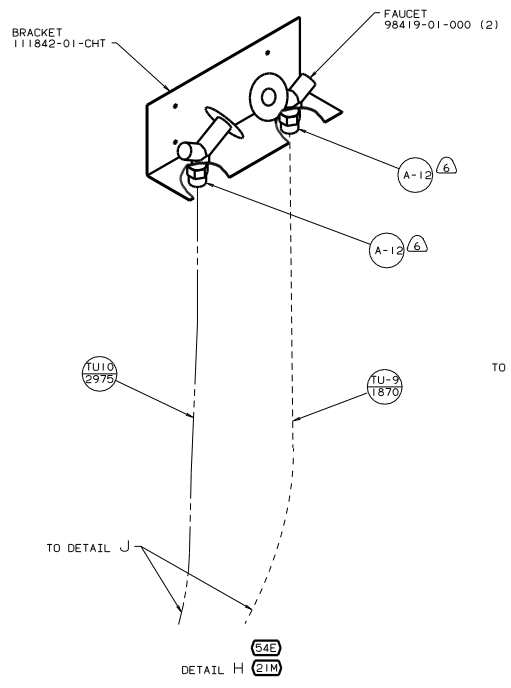
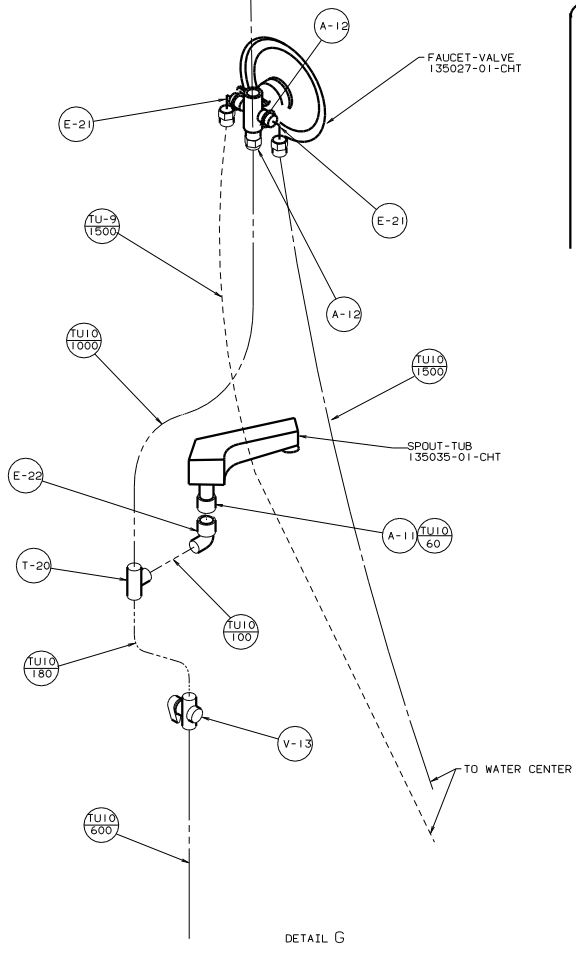
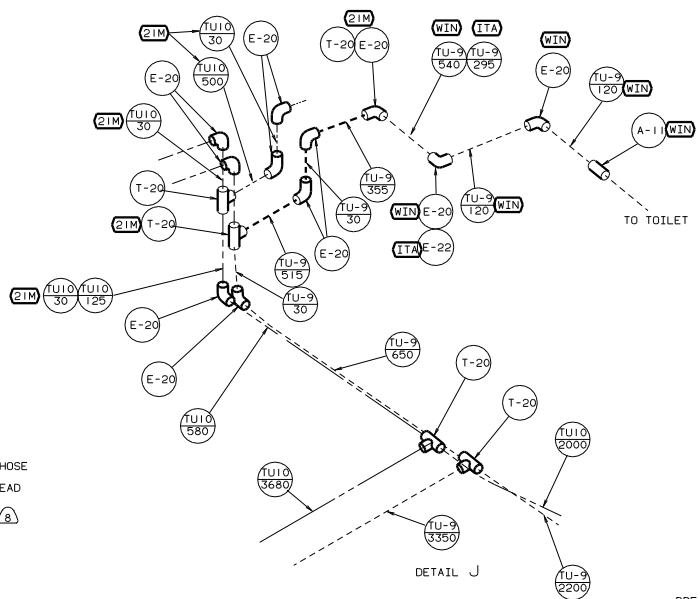
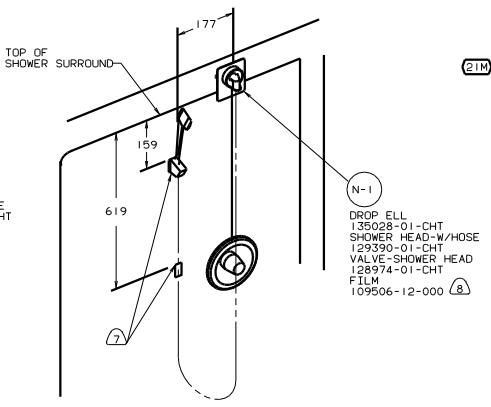
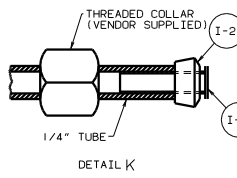
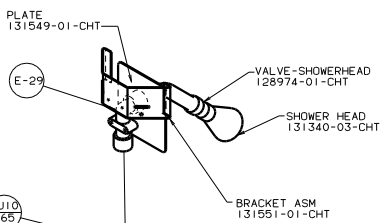
INLET-WATER, FLUSHING SYSTEM
125697-05-000



DETAIL E

DETAIL D (29B) (15U)

DETAIL K



TITLE: WATER SYSTEM INSTL	
NO. OF SHEETS: 4	SHEET NO. 4
REV. NO. 1	DATE
134879	

01 G37G