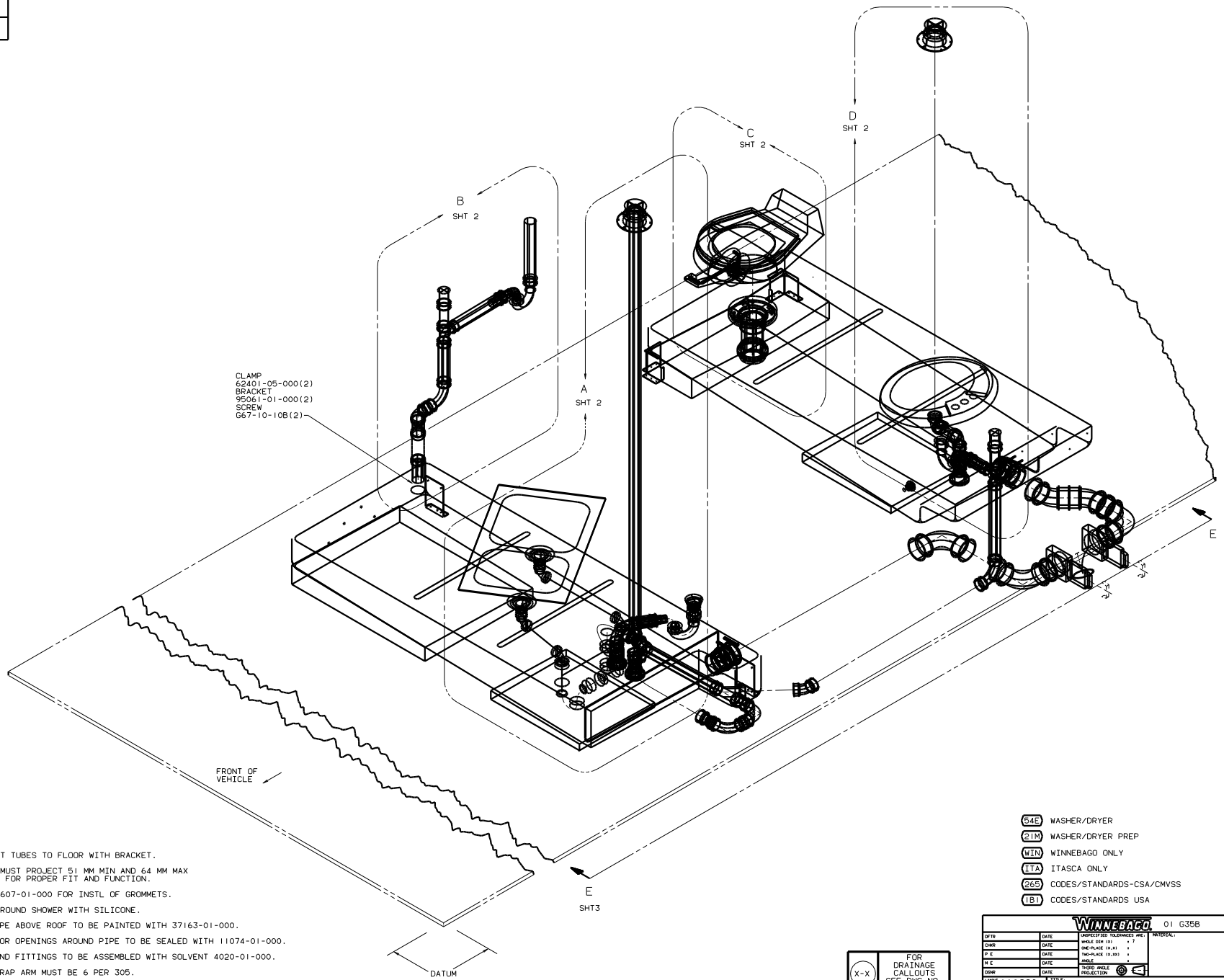


DWG NO	
136163-01	(WIN)
136163-02	(ITA)

RELEASE BY	DATE	BY	NO	136163
REV				
REV				
REV				



CLAMP
62401-05-000 (2)
BRACKET
95061-01-000 (2)
SCREW
G67-10-10B (2)

FRONT OF VEHICLE

DATUM

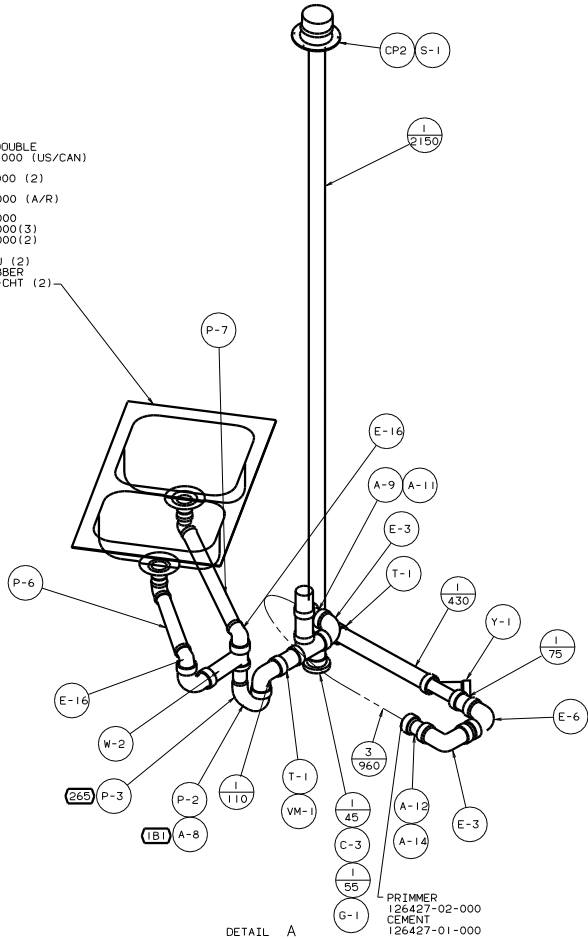
9. SECURE VENT TUBES TO FLOOR WITH BRACKET.
- VENT PIPE MUST PROJECT 51 MM MIN AND 64 MM MAX ABOVE ROOF FOR PROPER FIT AND FUNCTION.
 - SEE DWG 61607-01-000 FOR INSTL OF GROMMETS.
 - SEAL ALL AROUND SHOWER WITH SILICONE.
 - EXPOSED PIPE ABOVE ROOF TO BE PAINTED WITH 37163-01-000.
 - ALL EXTERIOR OPENINGS AROUND PIPE TO BE SEALED WITH 11074-01-000.
 - ALL PIPE AND FITTINGS TO BE ASSEMBLED WITH SOLVENT 4020-01-000.
 - SLOPE OF TRAP ARM MUST BE 6 PER 305.
 - SLOPE OF HORIZONTAL PIPING TO BE 6 PER 305 MIN.
- NOTES:

- (54E) WASHER/DRYER
- (21M) WASHER/DRYER PREP
- (WIN) WINNEBAGO ONLY
- (ITA) ITASCA ONLY
- (265) CODES/STANDARDS-CSA/CMVSS
- (TBT) CODES/STANDARDS USA

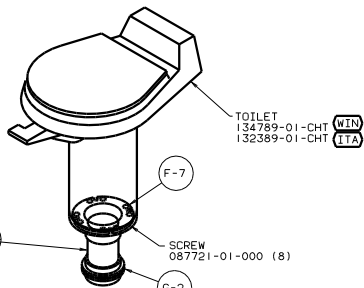
FOR DRAINAGE CALLOUTS SEE DWG NO. 116229-01-000

WINNEBAGO		01 G35B
QTY	DATE	UNSPECIFIED TOLERANCES ARE:
CHP	DATE	WHOLE DIM (1:1)
PIE	DATE	ONE-PLACE (1:1)
D/E	DATE	TWO-PLACE (1:10)
CDR	DATE	THREE-PLACE (1:10)
INCH	DATE	INDIC. W/ANGLE
MILL	DATE	INDIC. W/ANGLE
LAYOUT NO. 00G35B		TITLE: DRAINAGE SYSTEM INSTL
REV	SCALE	NO. OF SHEETS
1	1:1	3
ALL DIMENSIONS ARE IN MILLIMETERS		SHEET 1 OF 3
REF: 133904 N I		136163

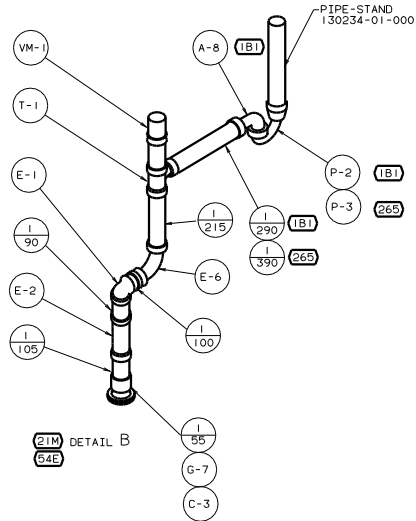
SINK-SST_DOUBLE
 110654-01-000 (US/CAN)
 STRAINER
 92303-01-000 (2)
 SEAL
 91255-02-000 (A/R)
 RETAINER
 83125-02-000
 77351-30-000(3)
 77351-32-000(2)
 SCREW
 G67-06-10U (2)
 WASHER-RUBBER
 127440-02-CHT (2)



DETAIL A

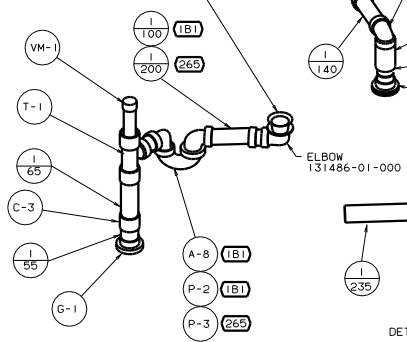


DETAIL C

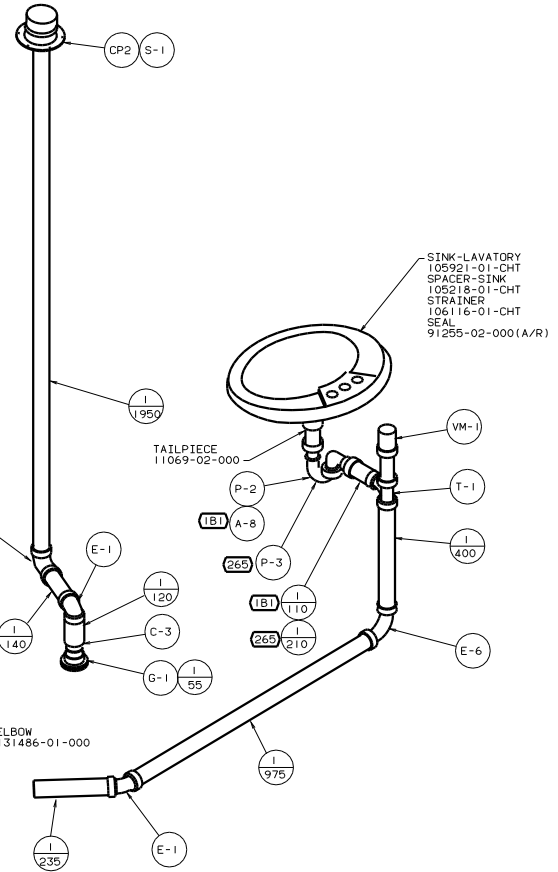


DETAIL B

SHOWER-INSTL-ENCLOSURE
 131620-04-000
 DRAIN
 132150-01-CHT
 SEALER
 69640-01-000
 NUT
 130403-01-000
 TAILPIECE
 11069-06-000
 WASHER
 127440-02-CHT

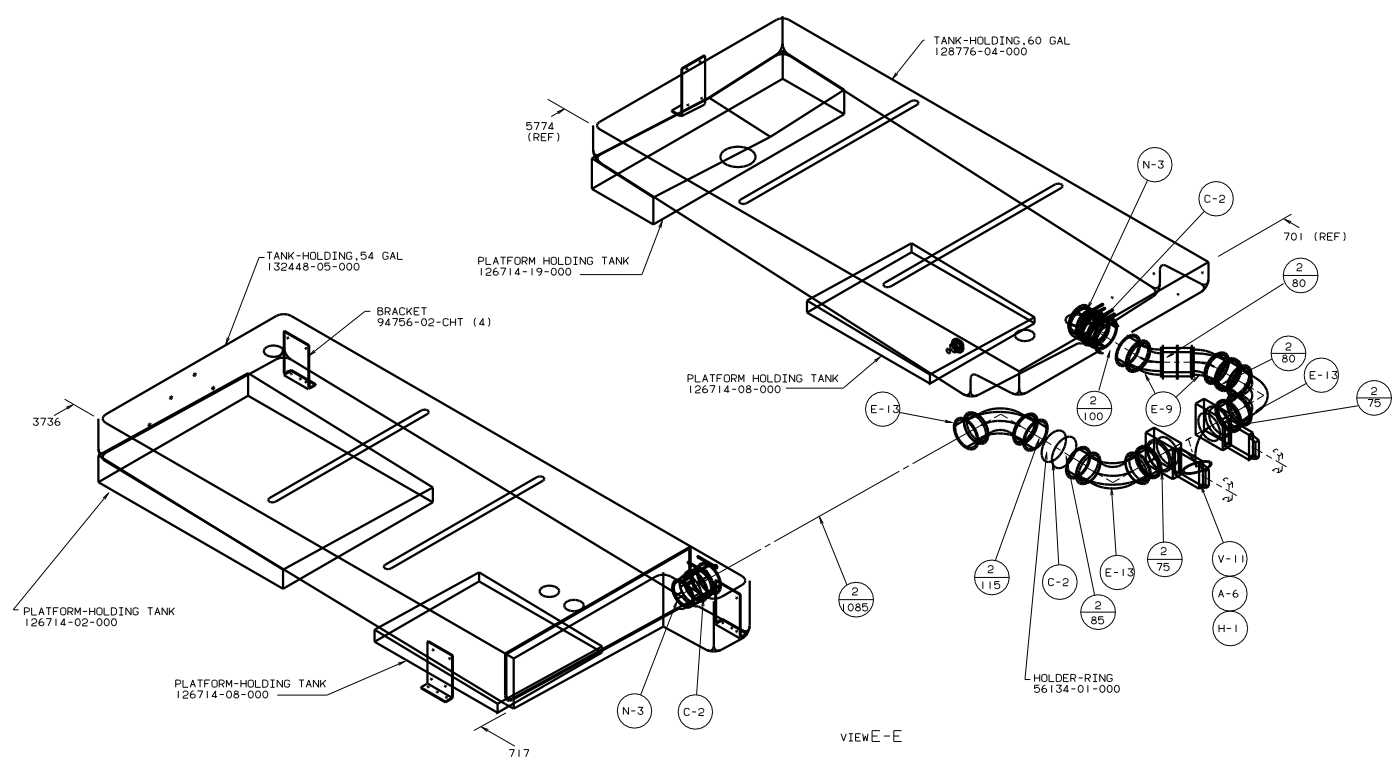


DETAIL D



DETAIL D

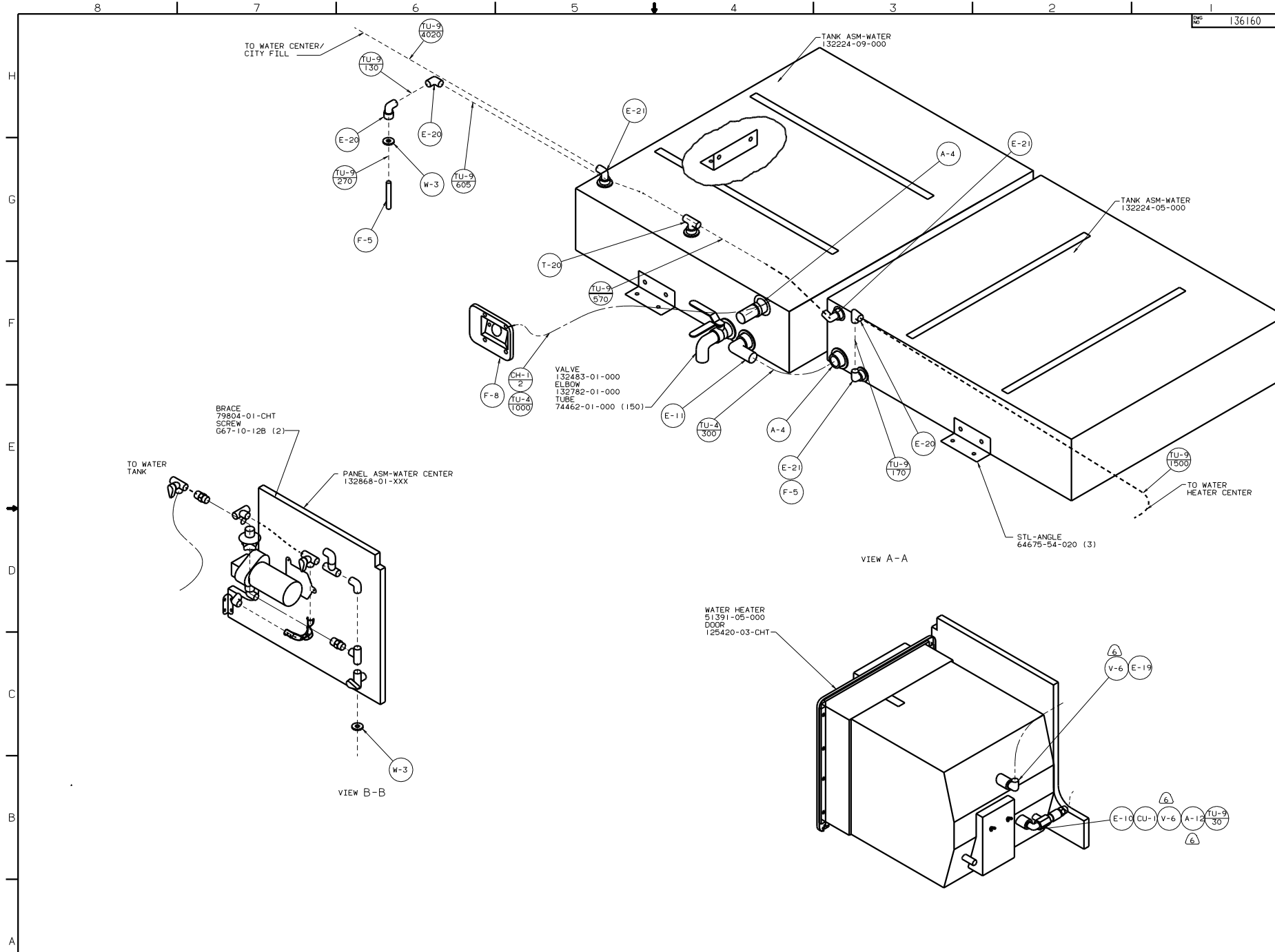
01 G35B



VIEW E-E

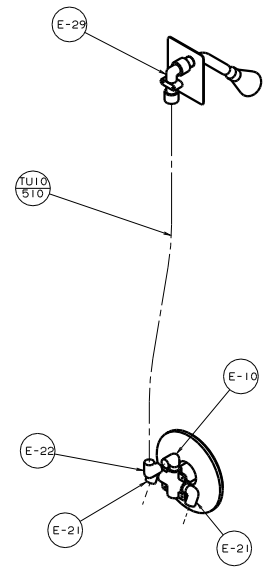
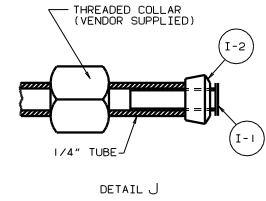
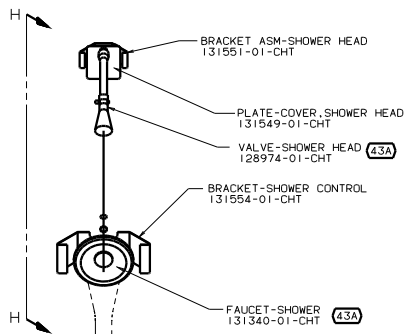
01 G35B

TITLE: DRAINAGE SYSTEM INSTL	
30 THE SCALE LISTING	FIG. NO. 1
SHEET 3 OF 3	136163



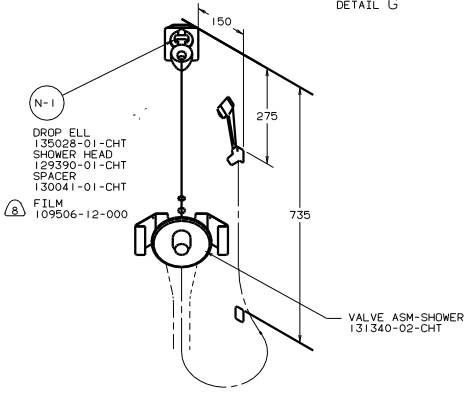
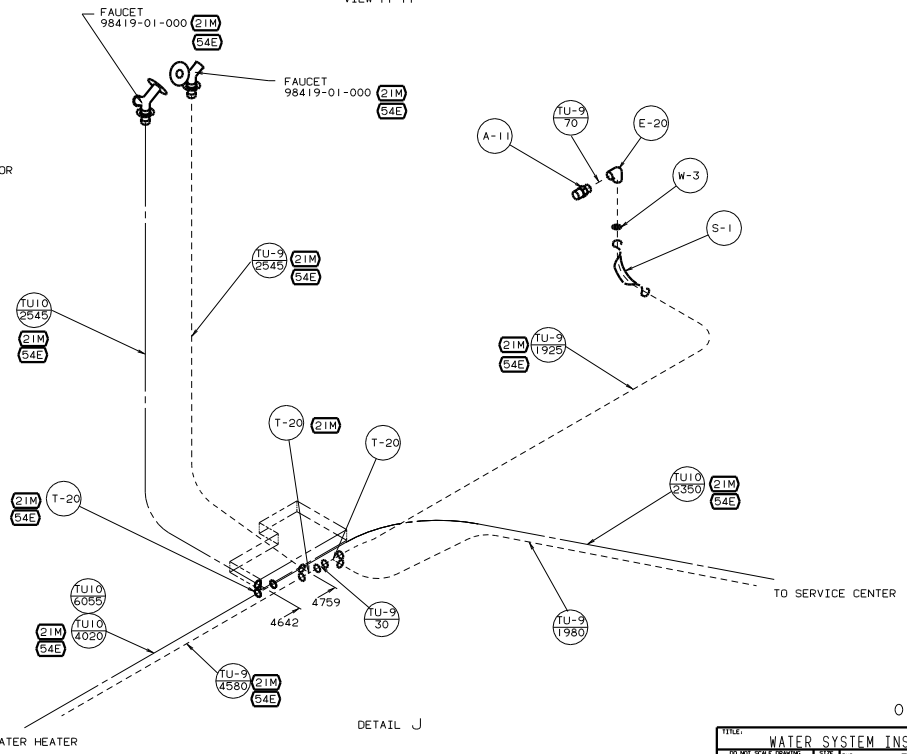
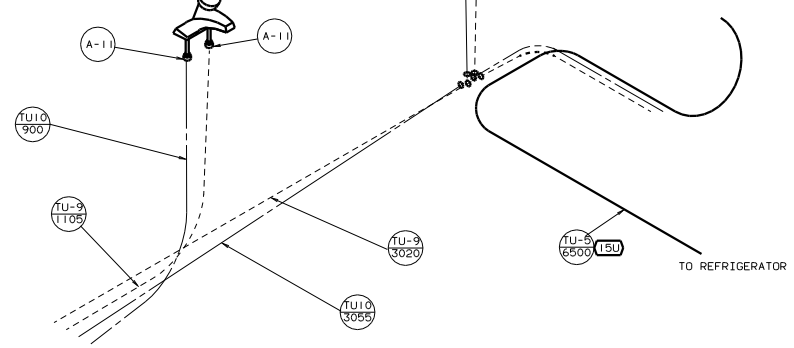
DETAIL C 1B2

01 G35B



WIN FAUCET-LAV
129397-01-CHT

ITA 134735-02-CHT



DETAIL G
(4.3H)

DETAIL J

01 G35B

TITLE		WATER SYSTEM INSTL	
NO	SCALE	REV	DATE
1		1	
SHEET 4 OF 4		136160	