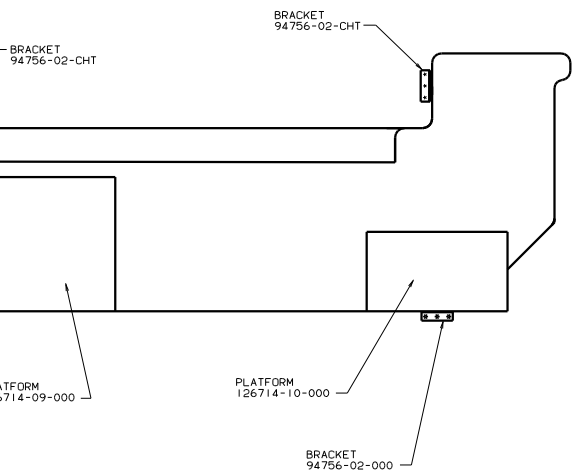
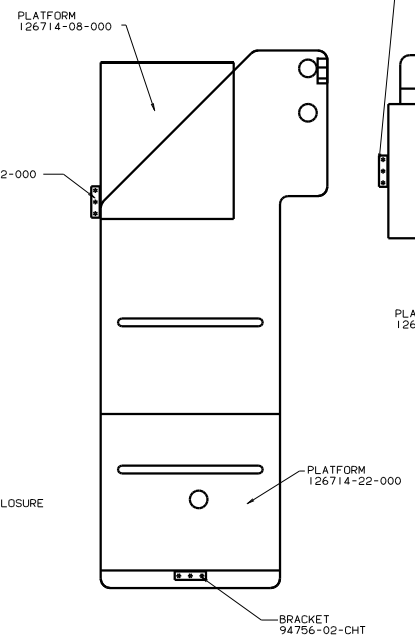


- SHOWER INSTL-ENCLOSURE 132496-02-000
- DRAIN 132150-01-CHT
- SEALER 69640-01-000
- NUT 130403-01-000
- WASHER-RUBBER 127440-02-CHT
- TAILPIECE 1069-06-000

- A-8 (1B1)
- P-2 (1B1)
- P-3 (265)
- 645 (265)
- 545 (1B1)

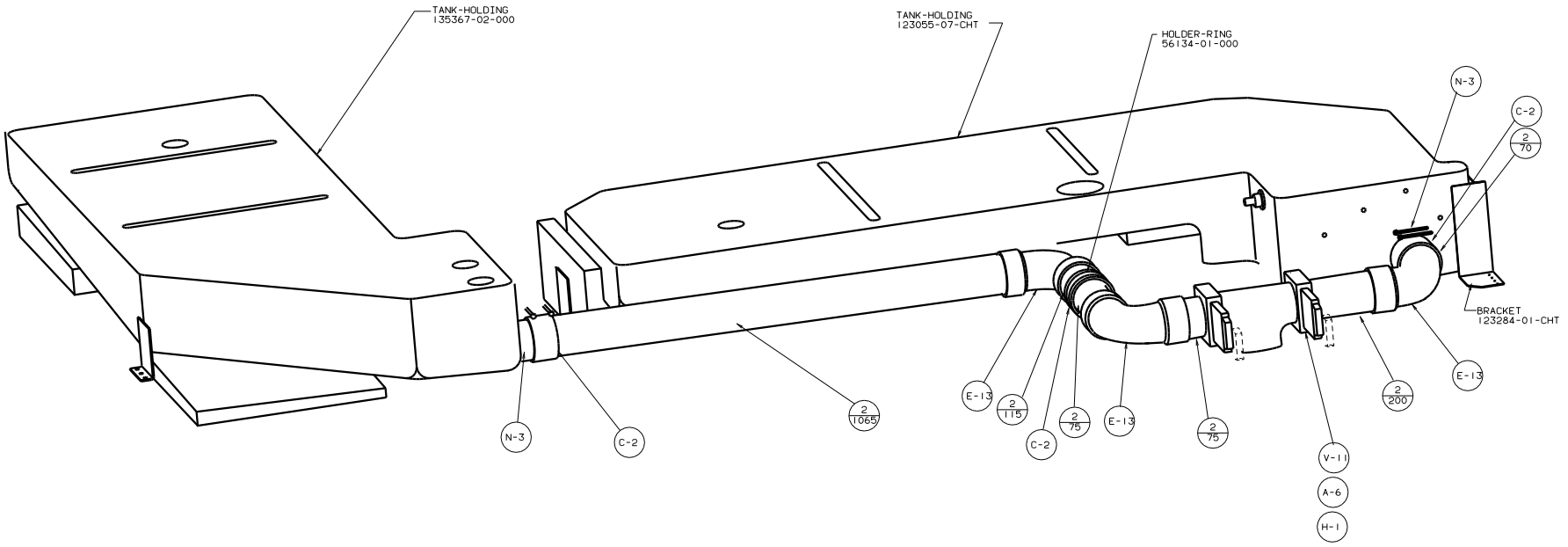
DETAIL C



VIEW E-E

01 G32V

TITLE: DRAINAGE SYSTEM INSTL		DWG NO 135370	
30 X 30 X 30	3	4	1
SHEET	3	OF	4
REV	1	DATE	



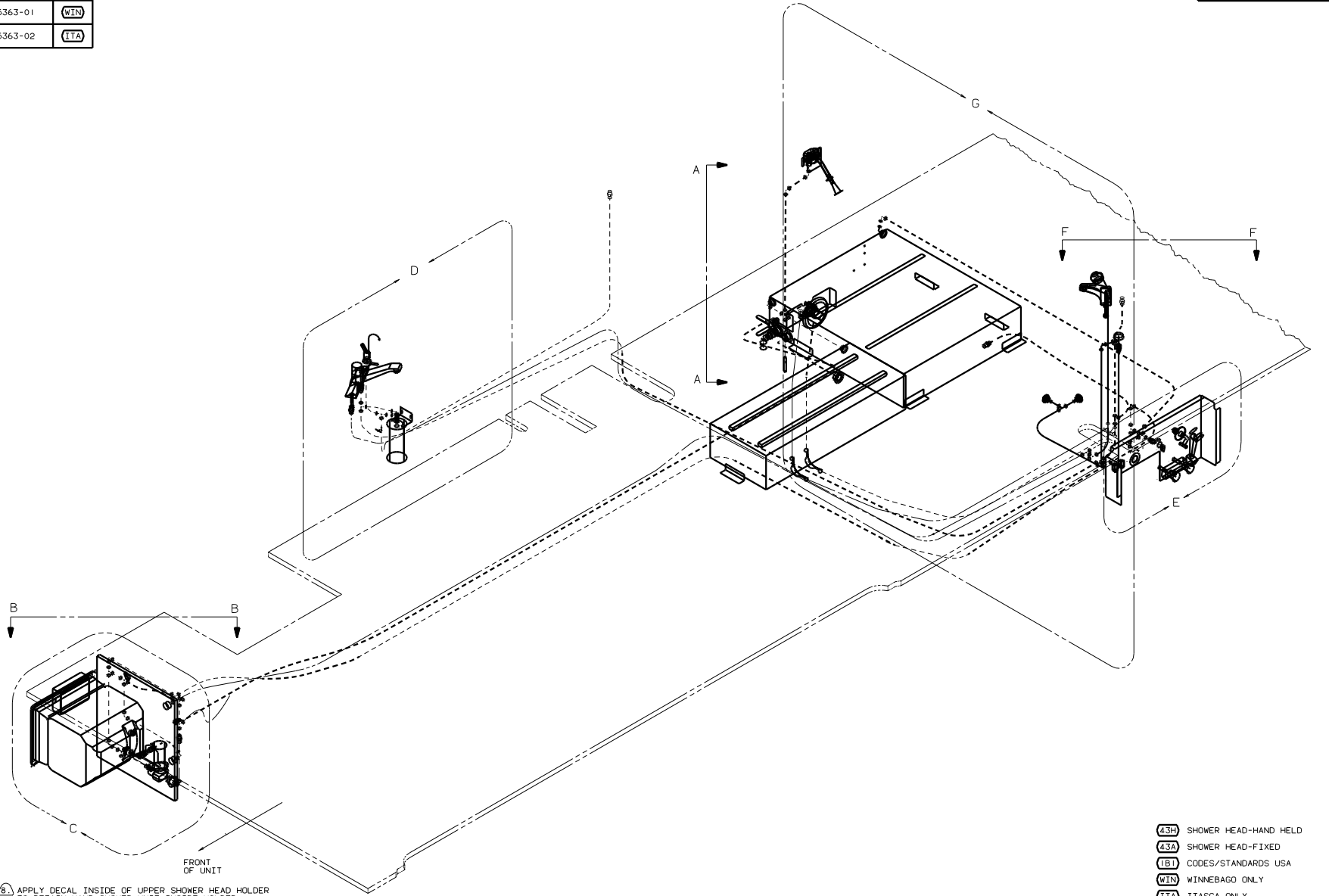
DETAIL F

01 G32V

TITLE: DRAINAGE SYSTEM INSTL		REV: 1		DATE: 11/01/05	
BY: J.E.	CHK: J.E.	APP: J.E.	DATE: 11/01/05	135370	
SHEET 4 OF 4					

DWG NO	---
135363-01	WIN
135363-02	ITA

RELEASE BY: DATE: 11/11/03  
 REVISION RECORD: DATE: 8/19/02



- 8.) APPLY DECAL INSIDE OF UPPER SHOWER HEAD HOLDER TO RETAIN HAND SHOWER UNIT INSIDE HOLDER.
- 7.) PRE-DRILL SHOWER SURROUND WITH 5.0 DIA HOLES USING MOUNTING BRACKET AS A TEMPLATE.
- 6.) ADD TEFLON TAPE 10405-02-000 TO FITTING.
- 5.) USE DETAIL "J" IN THIS AREA (BOTH ENDS OF TUBING).
- 4.) FLUSHING SYSTEM REQUIRES 125697-06-000 INSTRUCTION SHEET.
3. ALL TUBING TO BE SECURED AT 1200 INTERVALS MAX WITH CLAMP 10495-01-000 OR CLIP 91951-01-000 AND SCREW G67-10-12B.
2. TUBING TO BE INSTALLED WITH SUFFICIENT SLOPE TO PROVIDE DRAINAGE TO THE NEAREST VALVE.
1. PLASTIC FITTINGS TO BE SEALED WITH SEALANT 84456-01-000.

- 43H SHOWER HEAD-HAND HELD
- 43A SHOWER HEAD-FIXED
- 1B1 CODES/STANDARDS USA
- WIN WINNEBAGO ONLY
- ITA ITASCA ONLY
- 29B WATER PURIFIER
- 15U REFRIGERATOR/FRZR W/ICEMAKER
- 1B2 WTR HTR-10GAL/ELEC/LP/MTRAD

FOR WATER CALLOUTS SEE DWG NO. 116230-01-000

LEGEND	
HOT	●●●●●●
COLD	●●●●●●

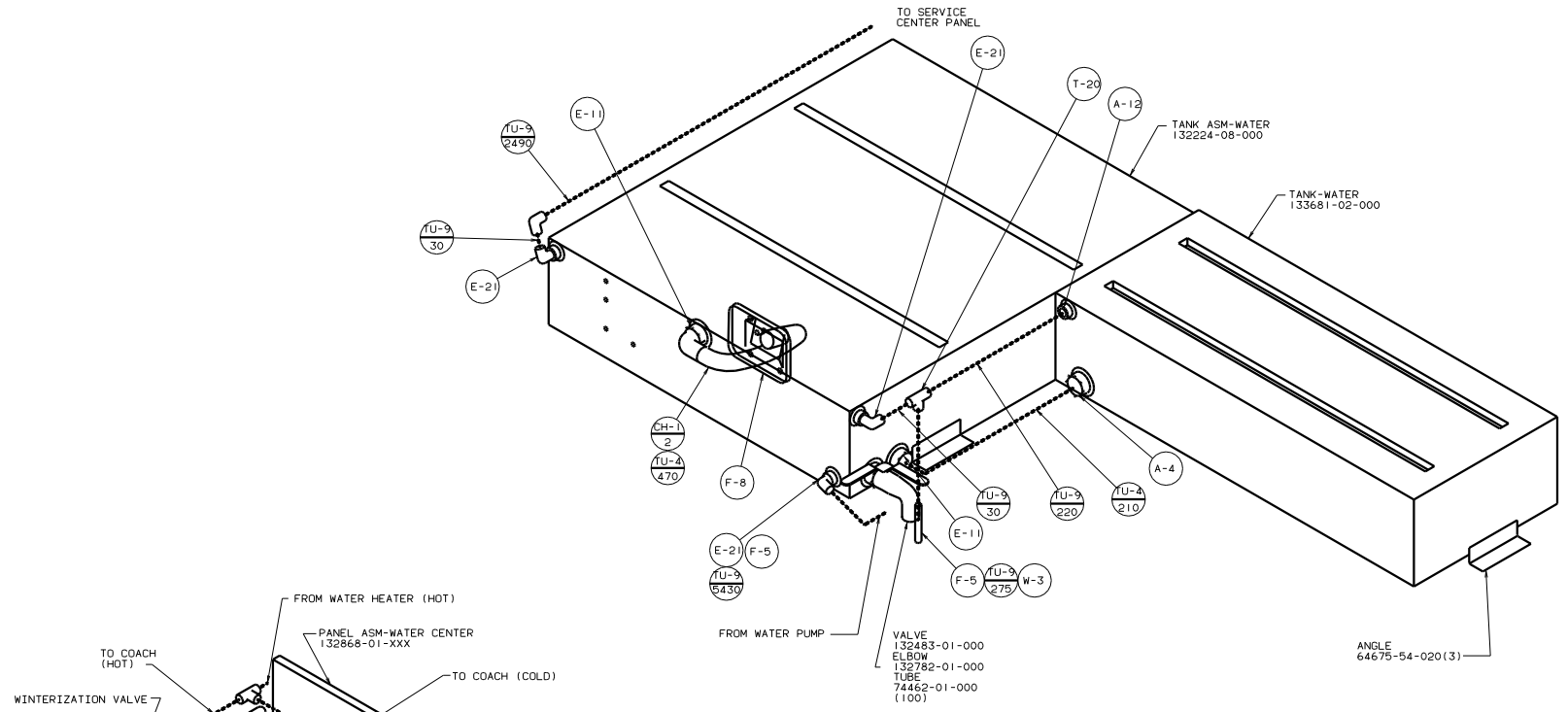
OF/IN		DATE	UNDESIGNED TOLERANCES ARE:	MATERIAL
CHP	DATE	WHOLE DIM (IN)	± .1	
PIE	DATE	ONE-PLACE (IN, IN)	± .01	
D/E	DATE	TWO-PLACE (IN, IN)	± .005	
CDR	DATE	THREE-PLACE (IN, IN)	± .001	
DATE	DATE	THREE-PLACE (IN, IN)	± .001	
DATE	DATE	THREE-PLACE (IN, IN)	± .001	
DATE	DATE	THREE-PLACE (IN, IN)	± .001	

WINNEBAGO OI G32V.WH

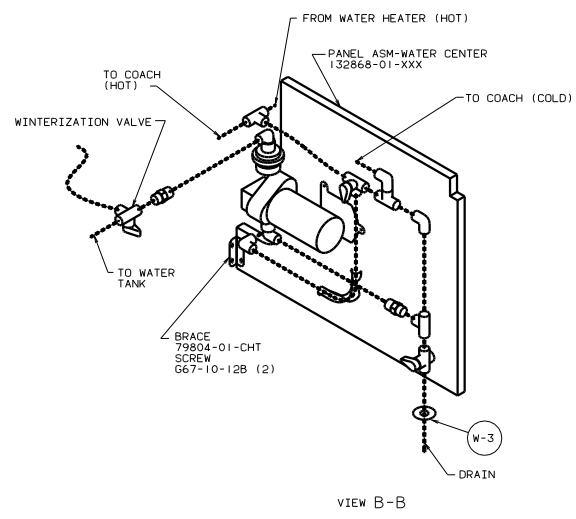
LENGTH: 00AG32V TITLE: WATER SYSTEM INSTL

DIA # SCALE: NONE 200 NET SCALE: 1:1 SHEET 1 OF 4

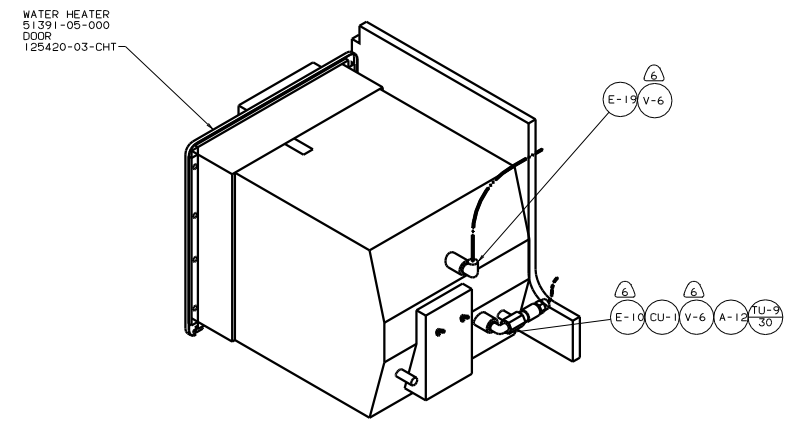
ALL DIMENSIONS ARE IN MILLIMETERS



VIEW A-A

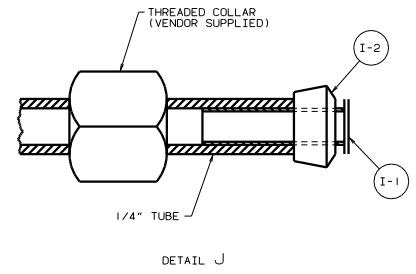
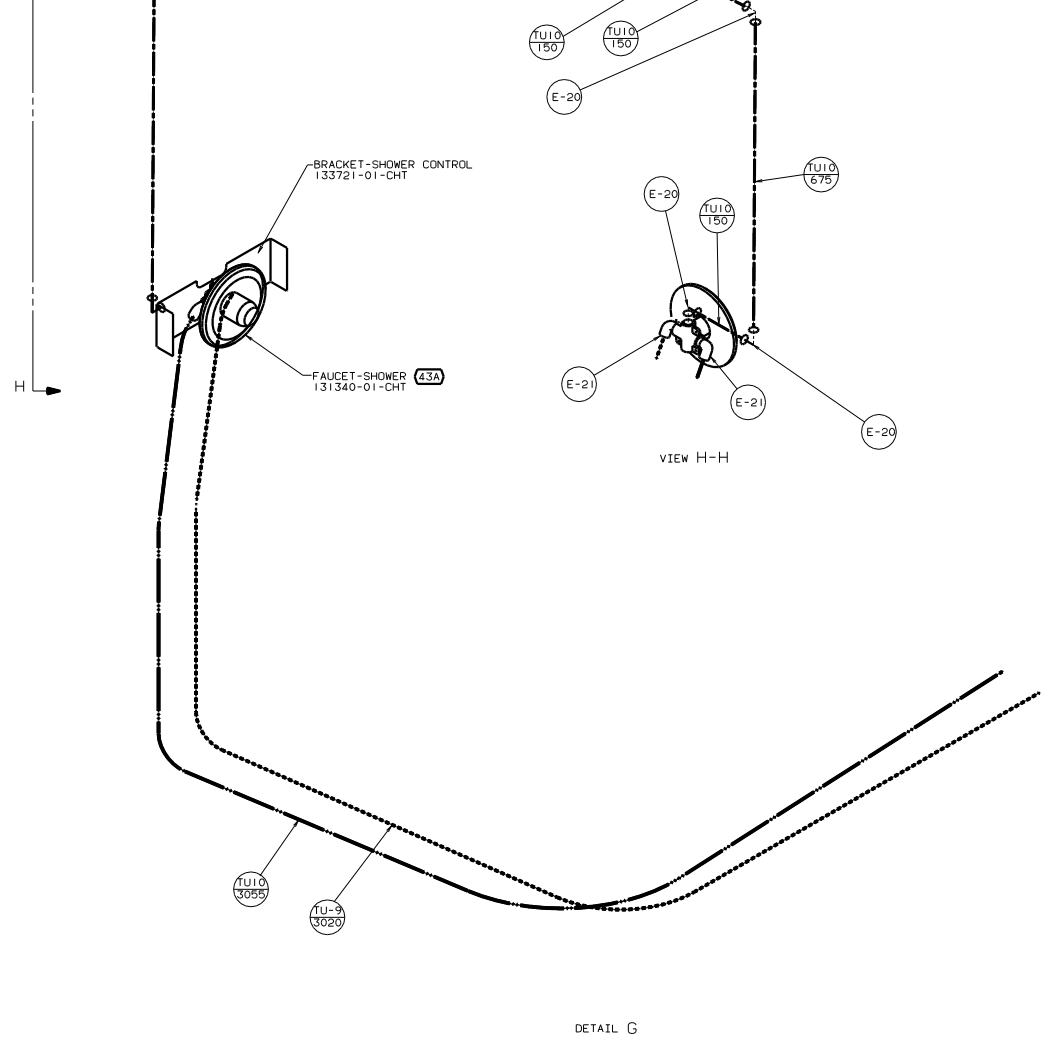
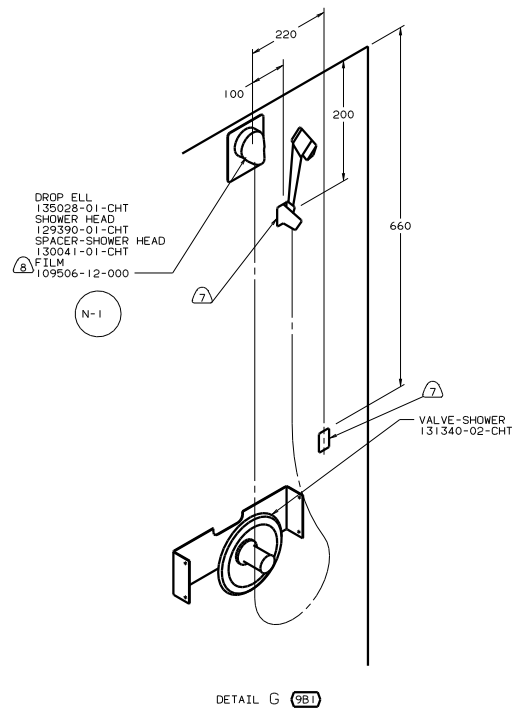
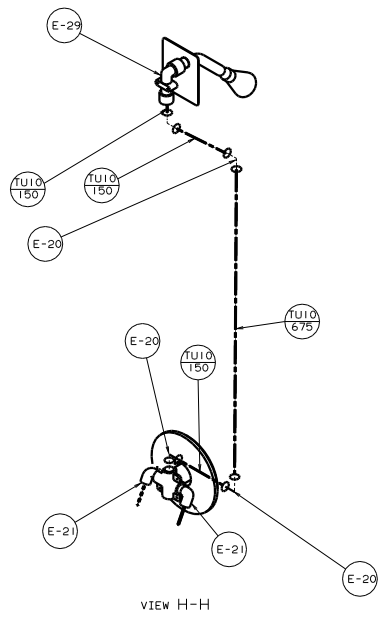
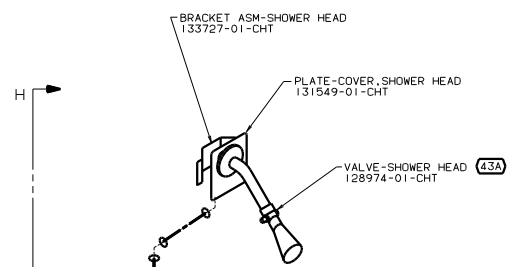


VIEW B-B



DETAIL C 1B2





01 G32V.WH

TITLE: WATER SYSTEM INSTL	
DATE: 11/01/05	REV: 1
SHEET: 4 OF 4	DWG NO: 135363