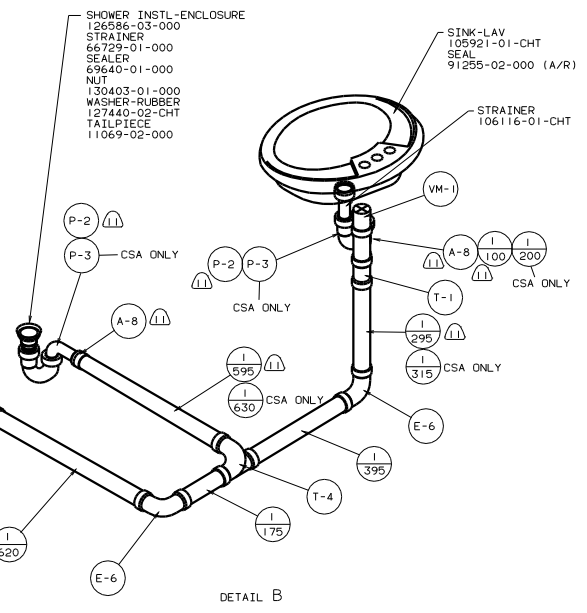
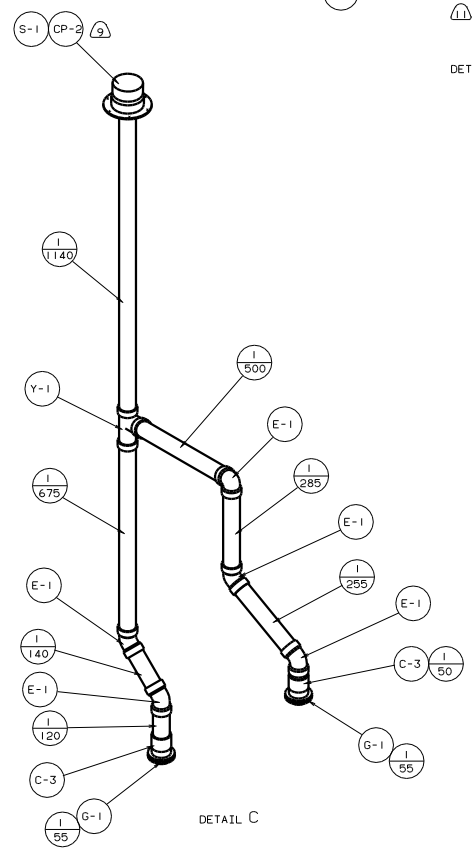


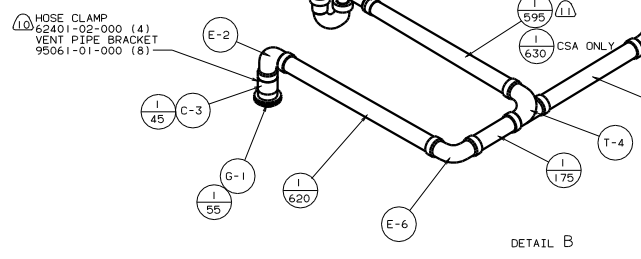
DETAIL A



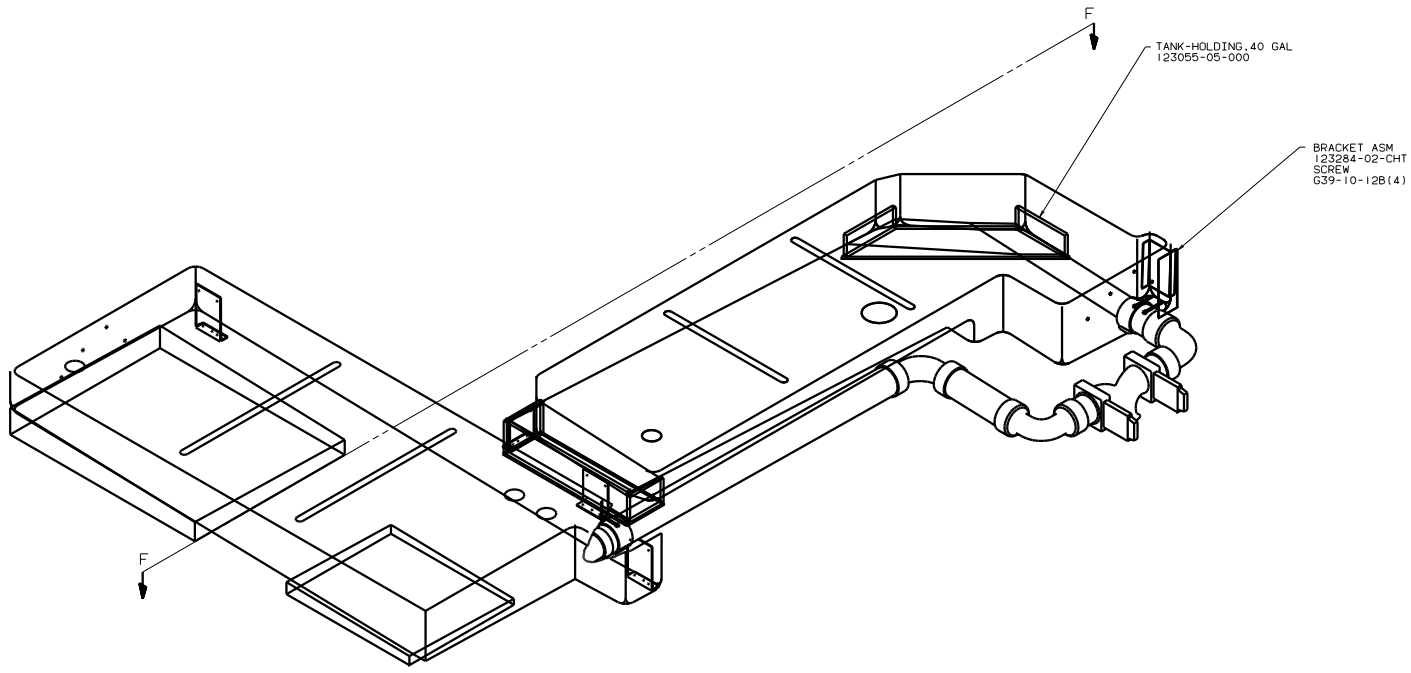
DETAIL B



DETAIL C



DETAIL D



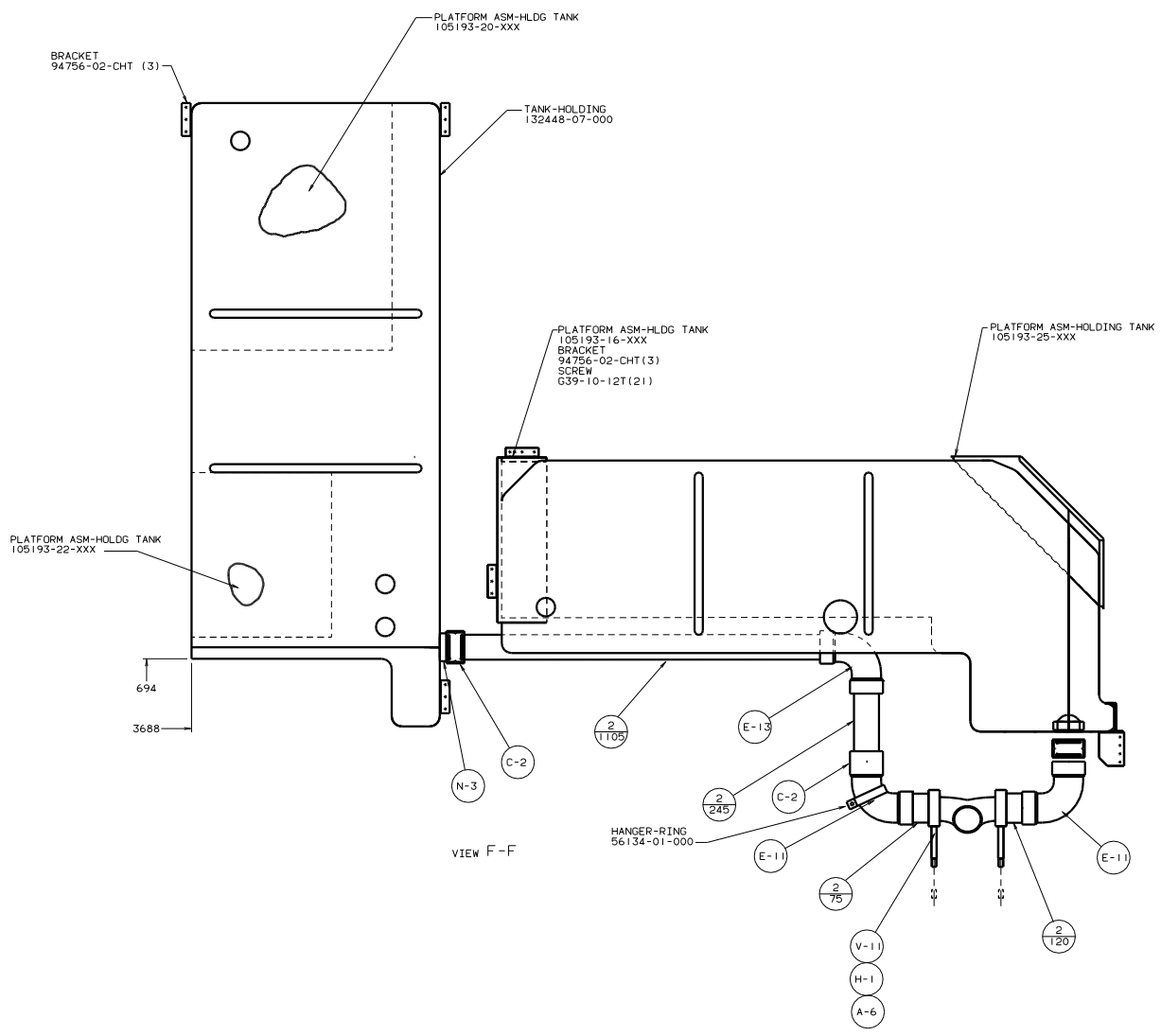
TANK-HOLDING, 40 GAL
123055-05-000

BRACKET ASM
123284-02-CHT
SCREW
G39-10-12B(4)

DETAIL E

01 F35C

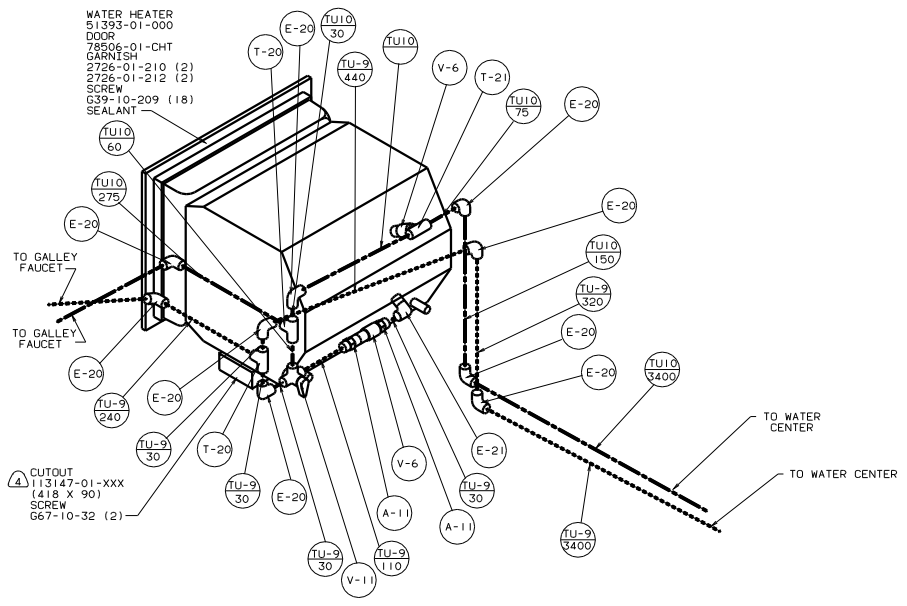
TITLE: DRAINAGE SYSTEM INSTL		FIG. NO. 135820	
NO. OF SHEETS	OF	SHEET NO.	FIG. NO.
3	4	3	135820



01 F35C

TITLE: DRAINAGE SYSTEM INSTL		FIG. NO. 135820	
DO NOT SCALE DRAWING	SHEET 4 OF 4	REV. NO.	1

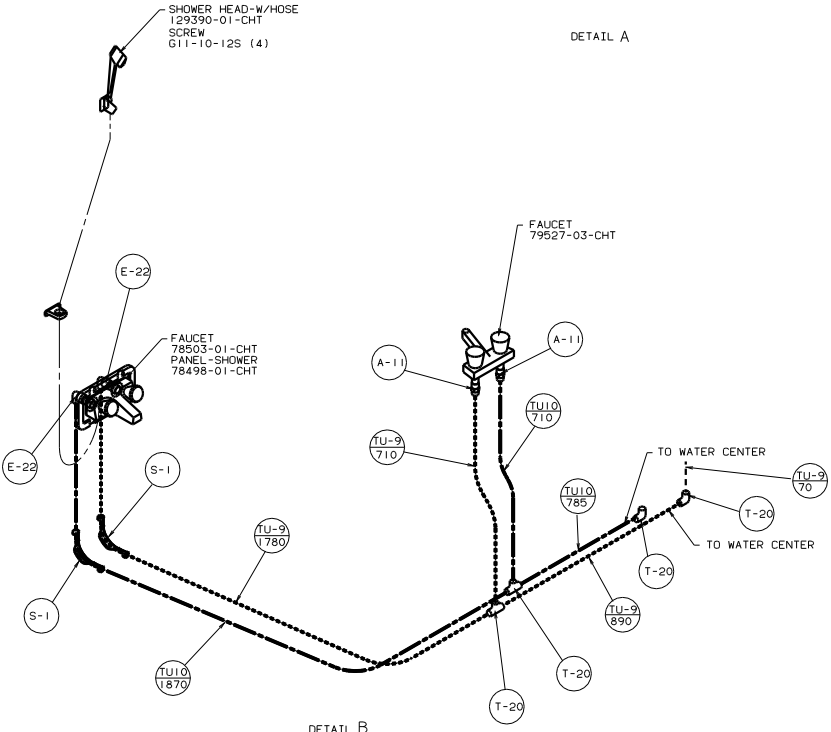
WATER HEATER
 51393-01-000
 DOOR
 78506-01-CHT
 GARNISH
 2726-01-210 (2)
 2726-01-212 (2)
 SCREW
 639-10-209 (18)
 SEALANT



CUTOUT
 4) 113147-01-XXX
 (418 X 90)
 SCREW
 667-10-32 (2)

DETAIL A

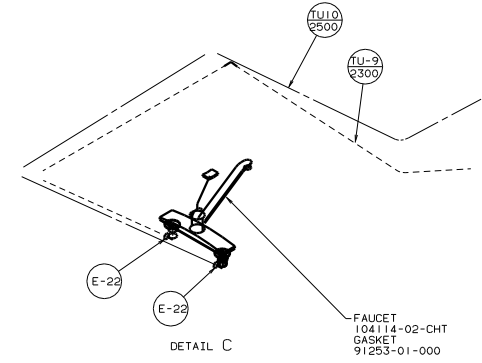
SHOWER HEAD-W/HOSE
 129390-01-CHT
 SCREW
 G11-10-125 (4)



DETAIL B

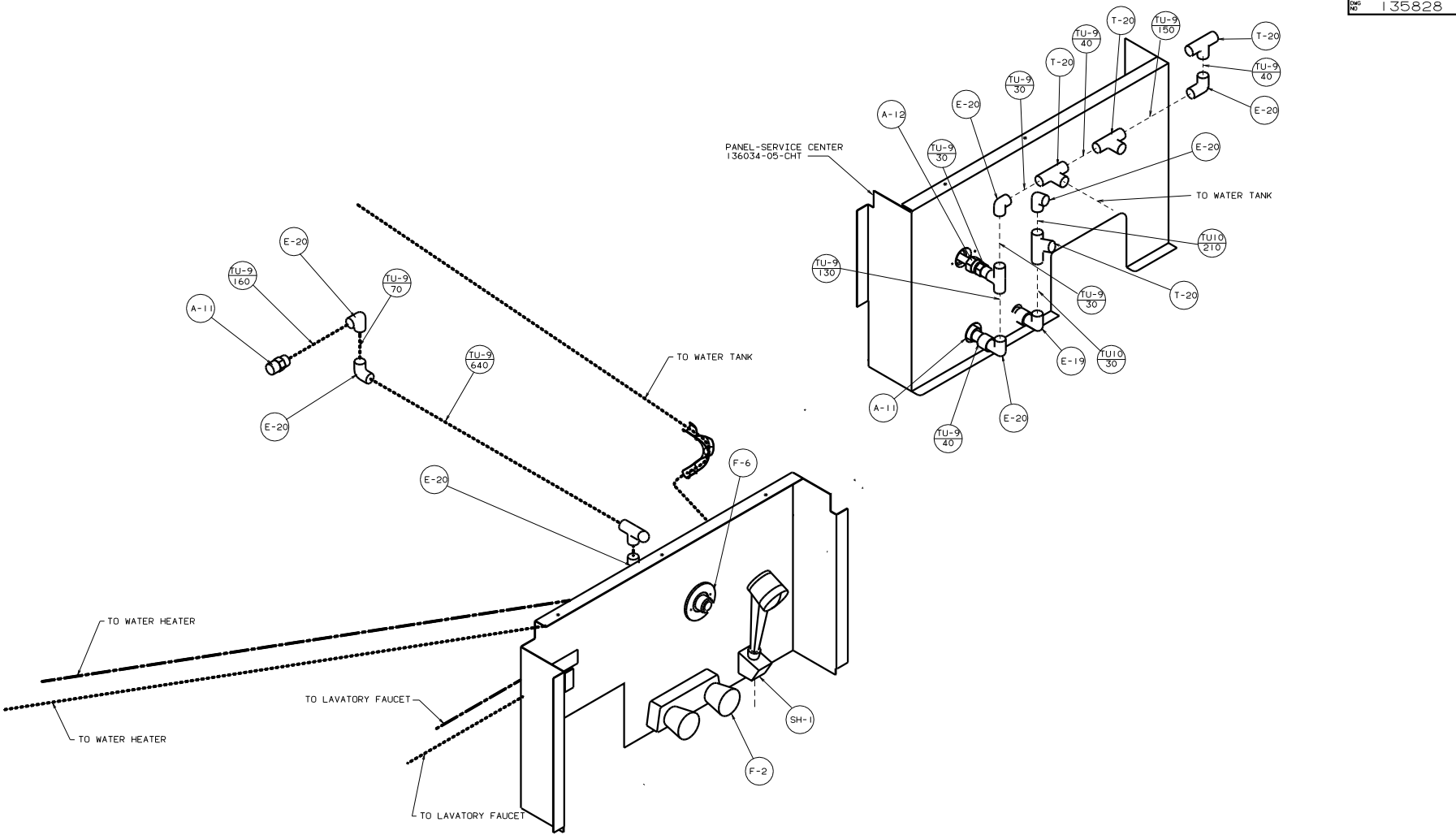
FAUCET
 78503-01-CHT
 PANEL-SHOWER
 78498-01-CHT

TU-10
 2500
 TU-9
 2300



DETAIL C

TITLE		01 F35C	
WATER SYSTEM INSTL			
NO. OF SHEETS	TOTAL SHEETS	DATE	DESIGNER
2 OF 4	4		
SHEET NO.		135828	



DETAIL D

