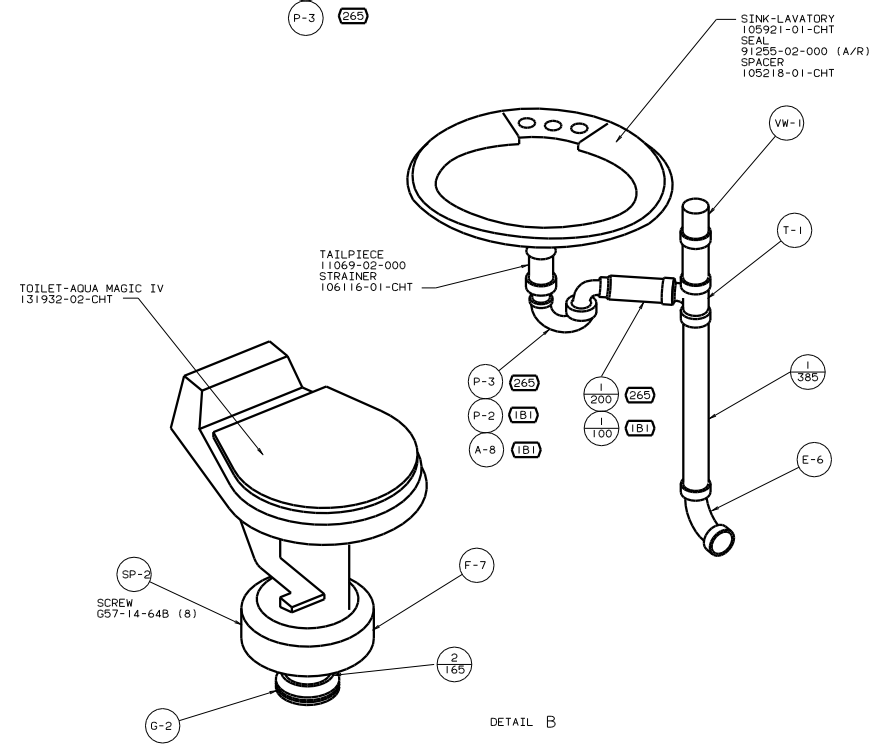
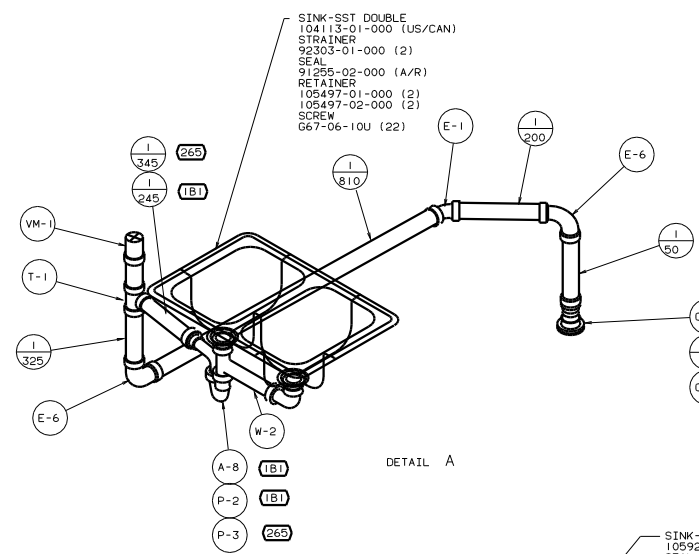


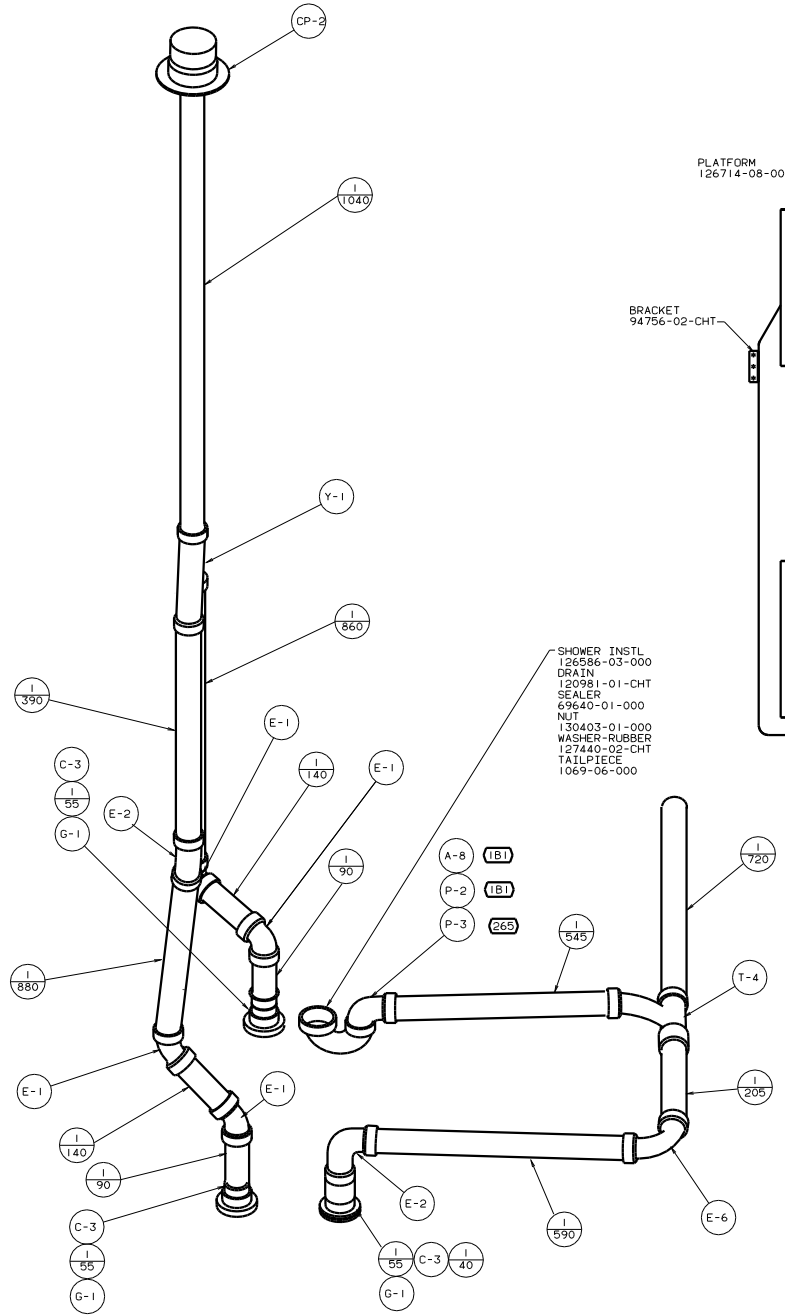
- NOTES:
1. SLOPE OF HORIZONTAL PIPING TO BE 6 PER 305 MIN.
 2. SLOPE OF TRAP ARM MUST BE 6 PER 305.
 3. ALL PIPE AND FITTINGS TO BE ASSEMBLED WITH SOLVENT 4020-01-000.
 4. ALL EXTERIOR OPENINGS AROUND PIPE TO BE SEALED WITH 11074-01-000.
 5. EXPOSED PIPE ABOVE ROOF TO BE PAINTED WITH 37163-01-000.
 6. SEAL ALL AROUND SHOWER WITH SILICONE.
 7. SEE DWG 61607-01-000 FOR INSTL OF GROMMETS.
 8. VENT PIPE MUST PROJECT 51 MM MIN AND 64 MM MAX ABOVE ROOF FOR PROPER FIT AND FUNCTION.

(265) CODES/STANDARDS-CSA/CMVSS
 (TBT) CODES/STANDARDS USA

FOR DRAINAGE CALLOUTS SEE DWG NO. 116229-01-000

WINNEAGO		01 F33V
OF IN	DATE	UNDESIGNED TOLERANCES ARE:
CHP	DATE	WHOLE DIM (1:1)
PIE	DATE	ONE-PLACE (1:1)
D/E	DATE	TWO-PLACE (1:1)
CDR	DATE	THREE-PLACE (1:1)
	DATE	FOUR-PLACE (1:1)
LAYOUT F33V		TITLE: DRAINAGE SYSTEM INSTL
REV #	SCALE	NOTE
		DO NOT SCALE DRAWING
ALL DIMENSIONS ARE IN MILLIMETERS		SHEET 1 OF 4
		FIG NO 136244

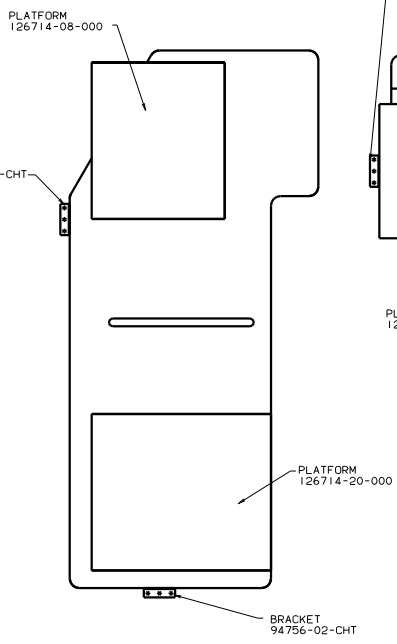




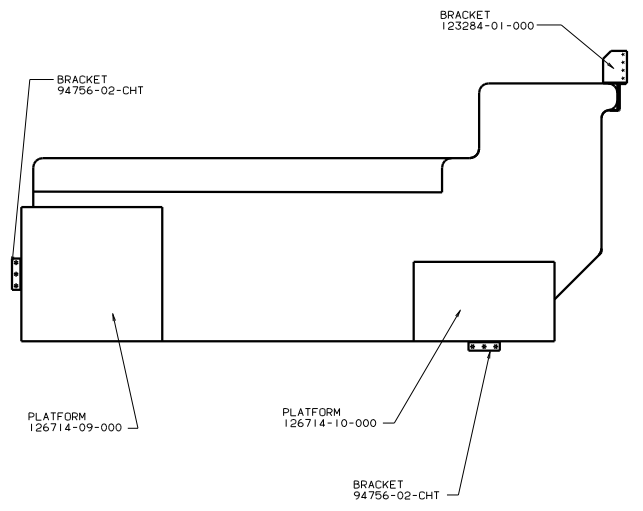
- SHOWER INSTL 126586-03-000
- DRAIN 120981-01-CHT
- SEALER 69640-01-000
- NUT 130403-01-000
- WASHER-RUBBER 127440-02-CHT
- TAILPIECE 1069-06-000

- A-8 (181)
- P-2 (181)
- P-3 (265)

DETAIL C

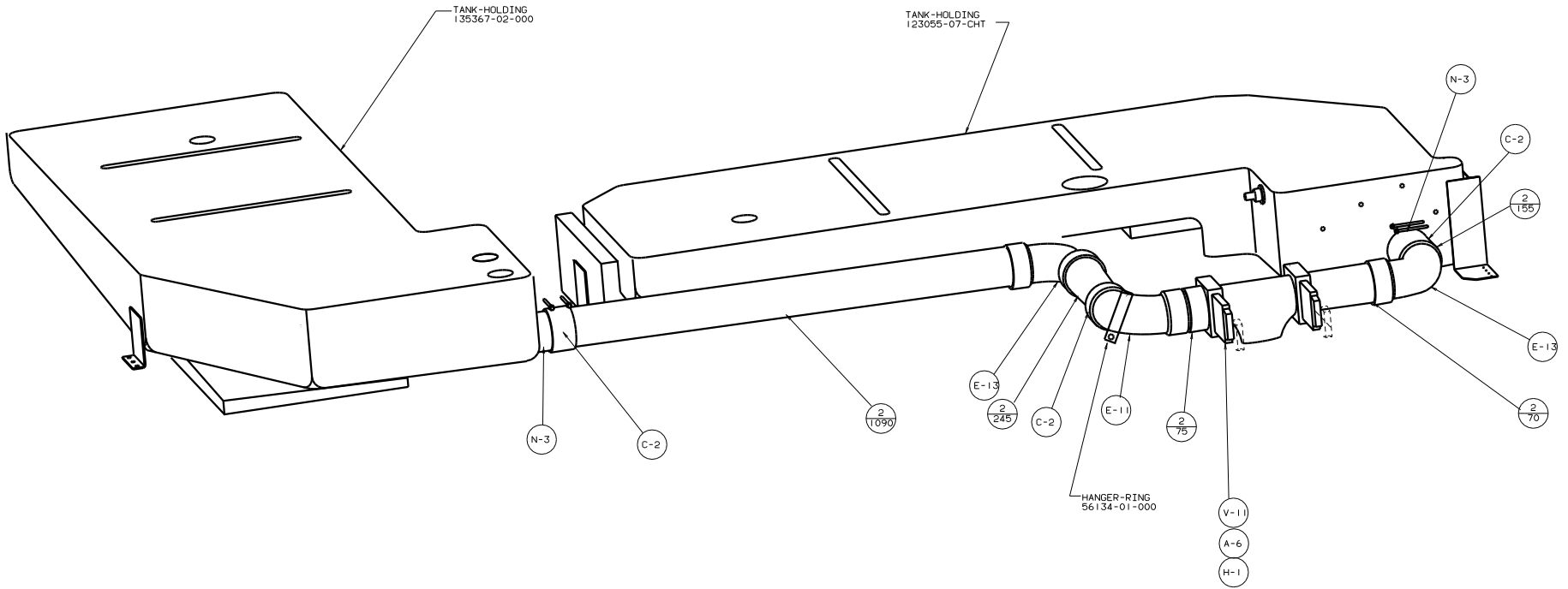


VIEW E-E



01 F33V

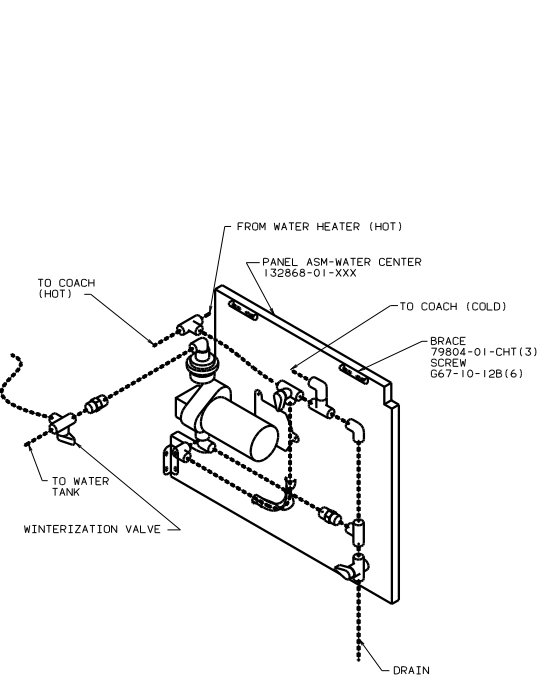
TITLE: DRAINAGE SYSTEM INSTL	
30 X 110 SCALE DRAWING	FIG. NO. 1
SHEET 3 OF 4	DWG. NO. 136244



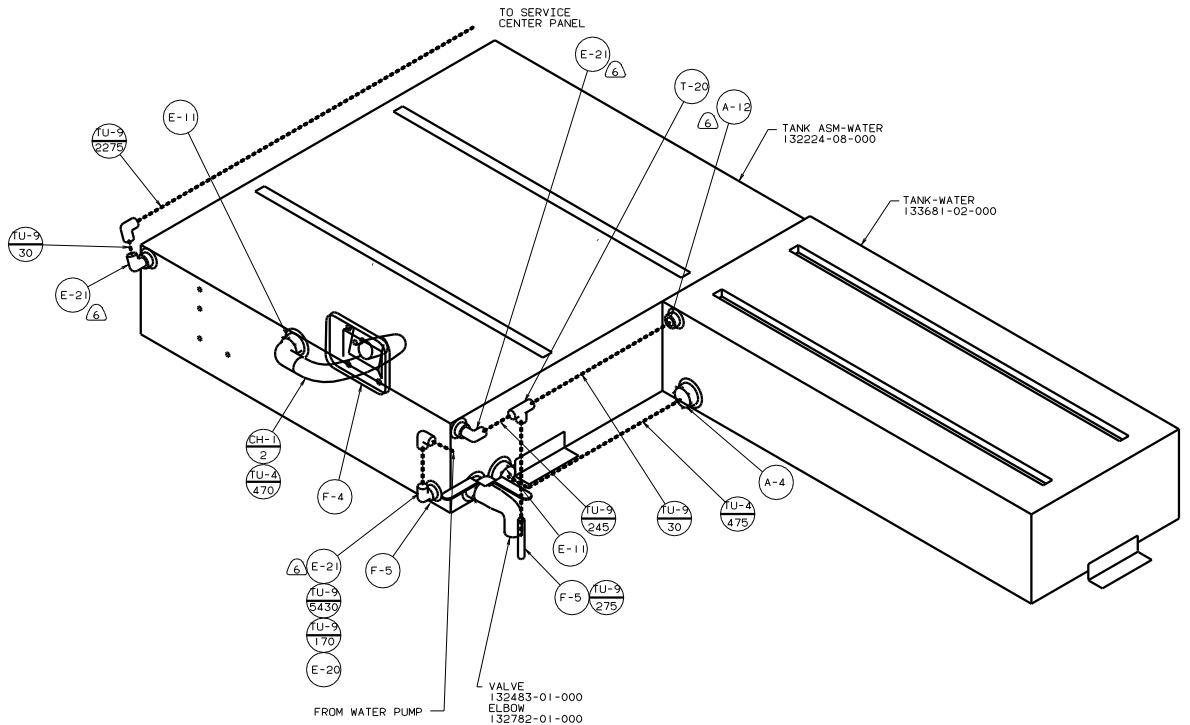
DETAIL D

01 F33V

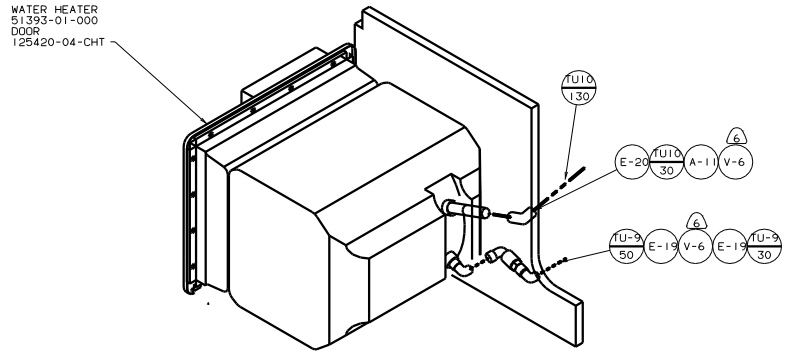
TITLE: DRAINAGE SYSTEM INSTL		FIG. NO. 1		Dwg. NO. 136244	
30 DAY SCALE DRAWING		SHEET 4 OF 4			



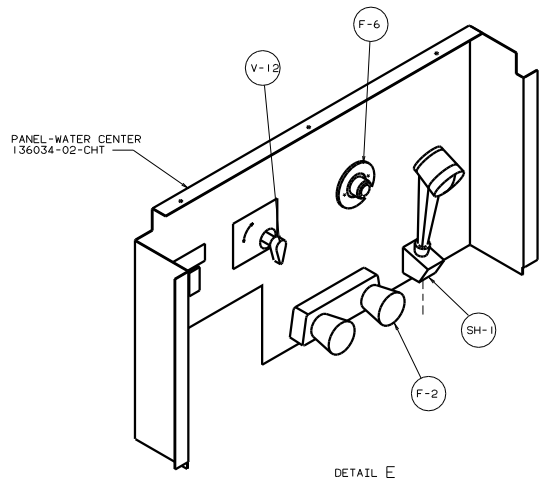
VIEW B-B



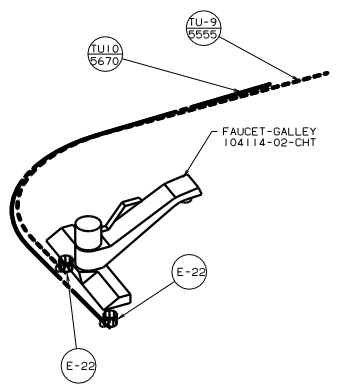
VIEW A-A



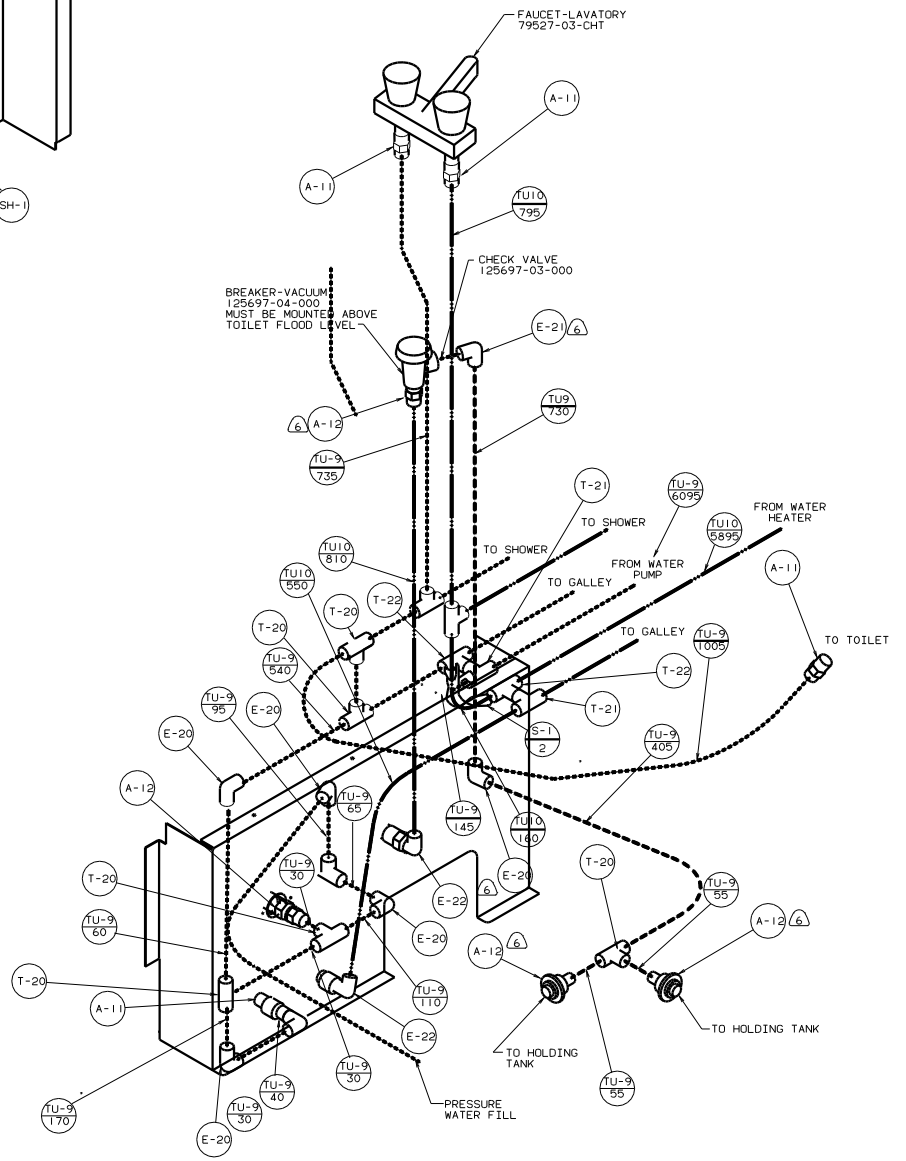
DETAIL C (61)



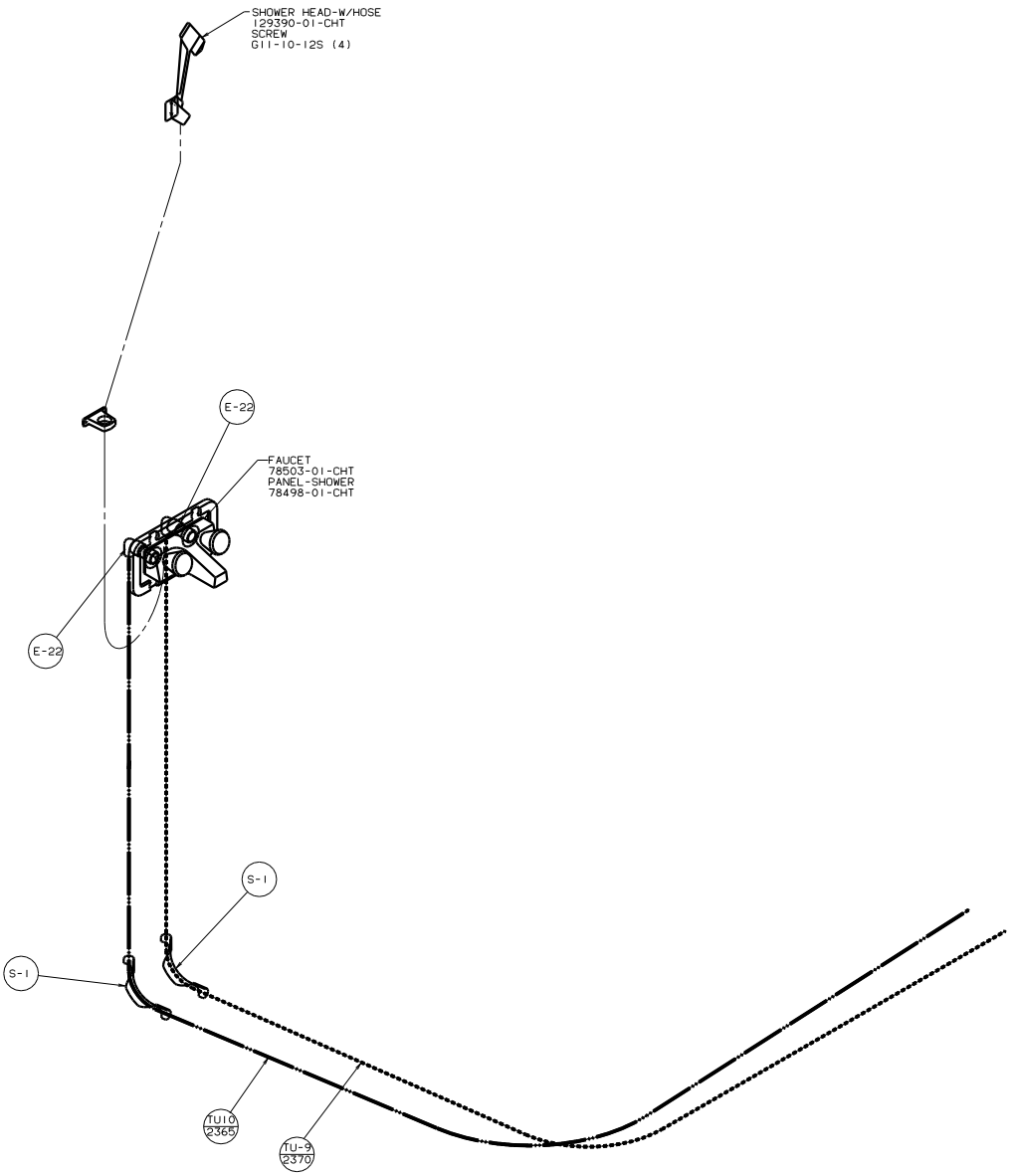
DETAIL E



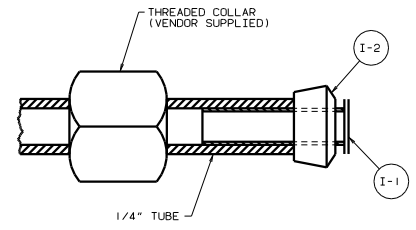
DETAIL D



VIEW F-F



DETAIL G



DETAIL J

01 F33V

TITLE: WATER SYSTEM INSTL	
NO. OF SHEETS: 4	FIG. NO. 136159
SHEET 4 OF 4	1