

SHOWER INSTL-ENCLOSURE
 131620-07-000
 DRAIN
 132150-01-CHT
 SEALER
 69641-01-000
 NUT
 130403-01-000
 TAILPIECE
 11069-06-000
 WASHER
 127440-02-CHT

TOILET-AQUA MAGIC IV
 131932-02-000

SCREW
 657-14-64B (8)

VIEW A-A

O1 F30W

TITLE: DRAINAGE SYSTEM INSTL		DWG NO: 134956	
DO NOT SCALE DRAWING	DATE: 11/06/05	DESIGNER: J.E.	FILE NO: 134956
SHEET 2 OF 4			

- SINK
104113-01-000
- STRAINER
92303-01-000 (2)
- SEAL
91255-02-000 (A/R)
- SCREW
G67-06-10U (2)
- WASHER-RUBBER
1274402-CHT (2)
- RETAINER
105497-01-000 (2)
- 105497-02-000(2)

- STRAP
8406-01-000
- SCREW
G67-06-10U(2)

- ADAPTER-SWIVEL, 1/1/2 ACMXSOC
130685-01-000
- ADAPTER-SWIVEL, 1-1/2
130685-02-000

- STRAP
8406-01-000 (3)
- SCREW
G67-06-10U (6)

- P-2 (1B1)
- P-3 (265)
- A-8 (1B1)

- PRIMER
126427-02-000
- CEMENT
126427-01-000

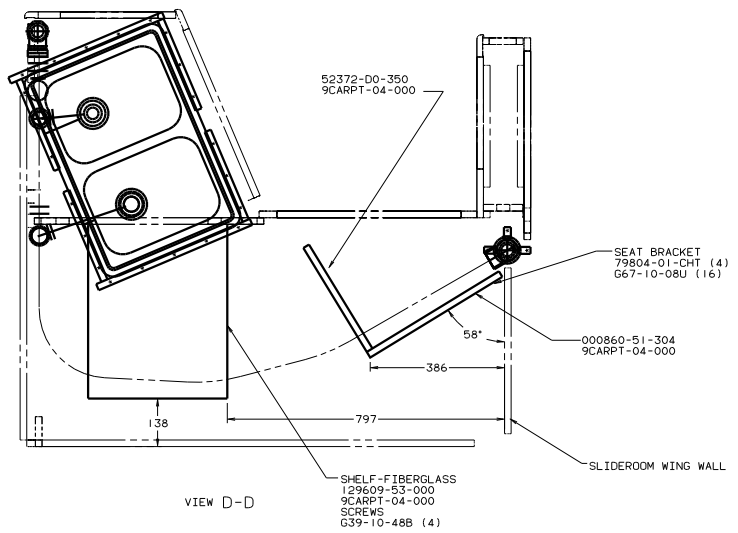
DETAIL B

- SINK
105921-01-CHT
- SEAL
91255-02-000 (A/R)
- STRAINER
106116-01-CHT
- SPACER-SINK
105218-01-CHT

- TAILPIECE
11069-02-000

- (1B1) P-2
- (265) P-3
- (1B1) A-8

- ADAPTER-SWIVEL
130685-02-000
- BRACKET-PIPE, VENT
99061-01-000 (3)
- SCREW
G39-10-24B (3)
- CLAMP-HOSE, WORMGEAR
62401-05-000



VIEW D-D

- SHELF-F FIBERGLASS
129609-53-000
- 9CARPT-04-000
- SCREWS
G39-10-48B (4)

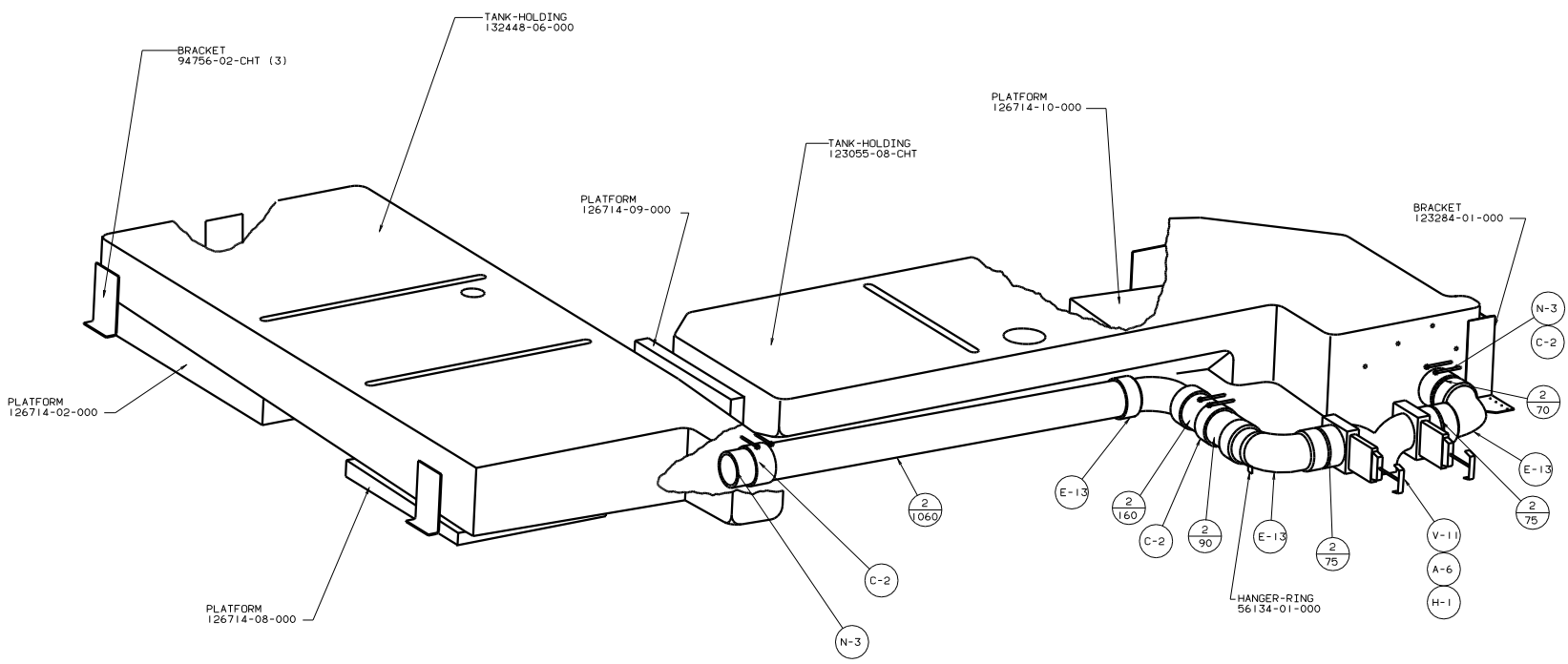
- SEAT BRACKET (4)
G67-10-08U (16)

- 000860-51-304
9CARPT-04-000

SLIDEROOM WING WALL

01 F30W

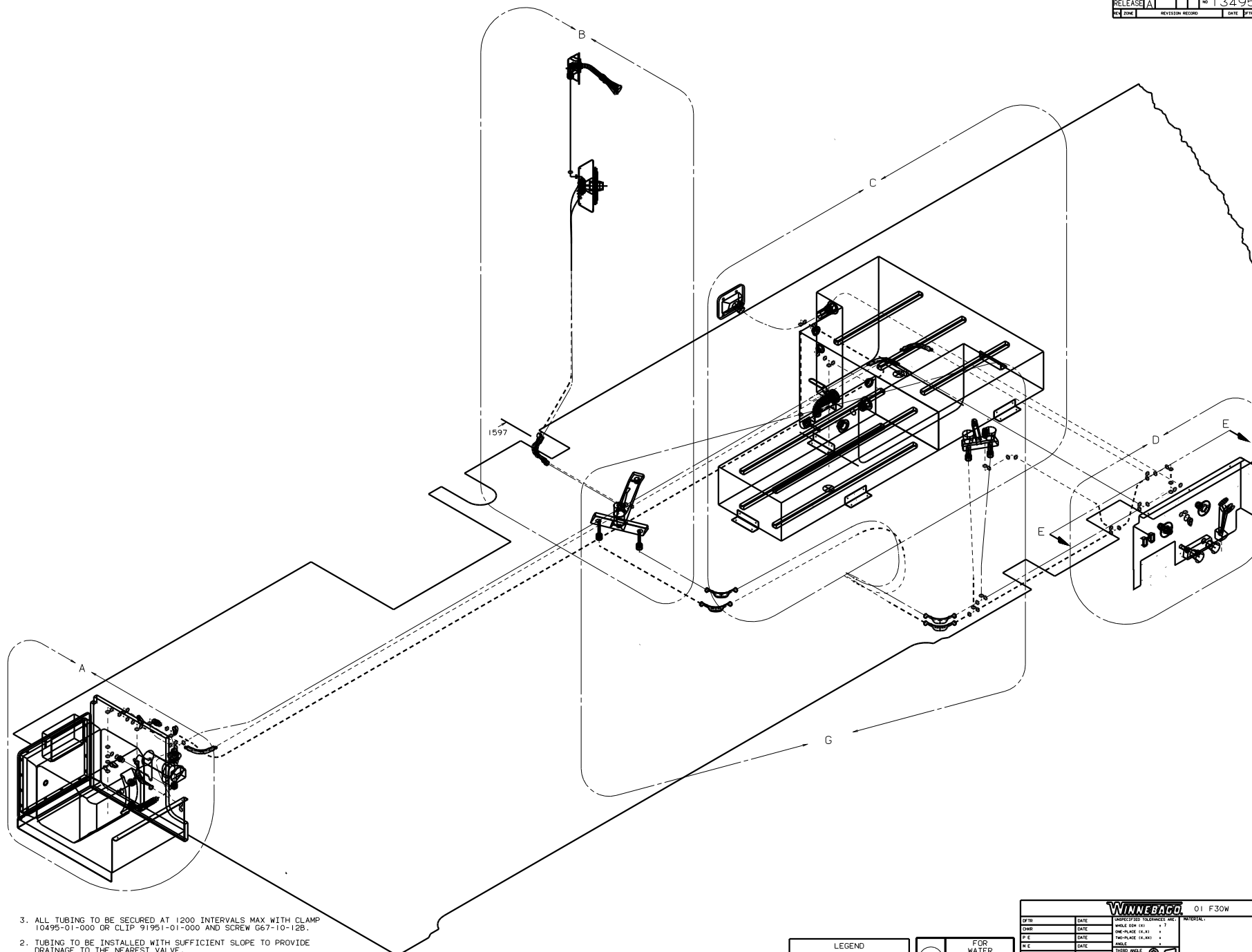
TITLE: DRAINAGE SYSTEM INSTL		REV: 1	INC: 1	NO: 134956
30-001	30-002	30-003	30-004	30-005
3	4			



VIEW C-C

01 F30W

TITLE: DRAINAGE SYSTEM INSL	
DO NOT SCALE DRAWING	FIG. NO. 1
SHEET 4 OF 4	134956



3. ALL TUBING TO BE SECURED AT 1200 INTERVALS MAX WITH CLAMP 10495-01-000 OR CLIP 91951-01-000 AND SCREW G67-10-12B.
2. TUBING TO BE INSTALLED WITH SUFFICIENT SLOPE TO PROVIDE DRAINAGE TO THE NEAREST VALVE.
1. PLASTIC FITTINGS TO BE SEALED WITH SEALANT 84456-01-000.

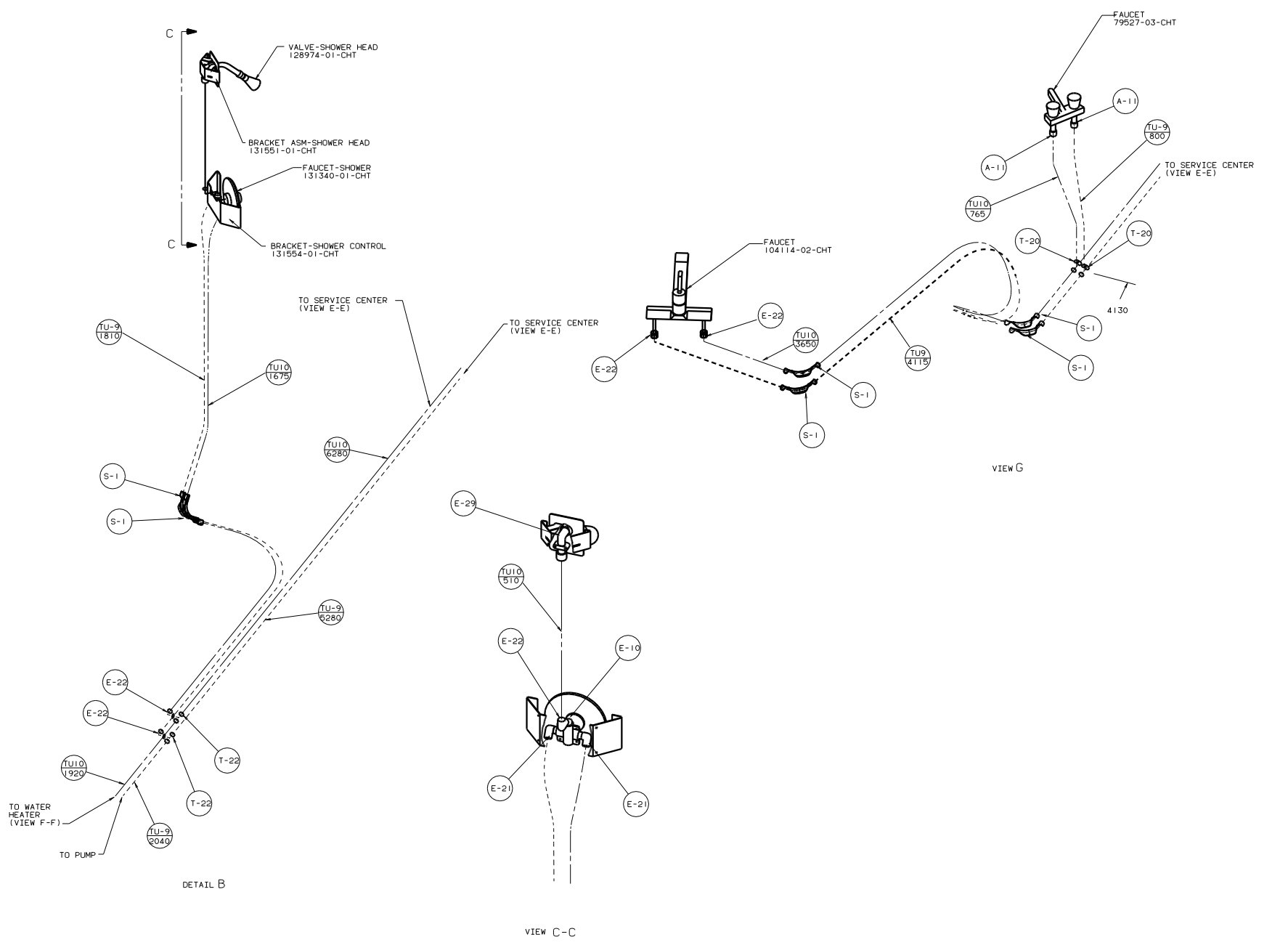
NOTES:

- (5) ADD TEFLON TAPE 10405-02-000 TO FITTING.
- (4) CLAMP MUST BE ON BARBS.

LEGEND	
HOT	●●●●●●
COLD	●●●●●●

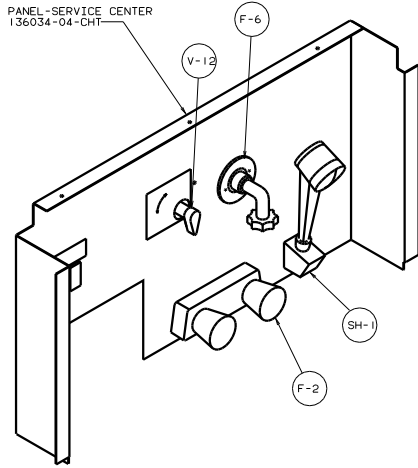
(X-X)
 FOR WATER CALLOUTS SEE DWG NO. 116230-01-000

WINNEBAGO PART NO. F30W		DATE		UNSPECIFIED TOLERANCES ARE:	MATERIAL
		DATE	DATE	1/8"	
DATE	DATE	ONE-PLATE (R.31)	DATE	1/16"	FINISH
DATE	DATE	TWO-PLATE (R.30)	DATE	3/32"	
DATE	DATE	ANGLE	DATE	1/8"	PRODUCTION
DATE	DATE	TRUSS W/ANGLE	DATE	1/4"	
DATE	DATE	PRODUCTION	DATE	1/2"	
DRAWING NO. F30W TITLE: WATER SYSTEM INSTL		SCALE: NONE SHEET 1 OF 4		REF: 133945 C 134957	



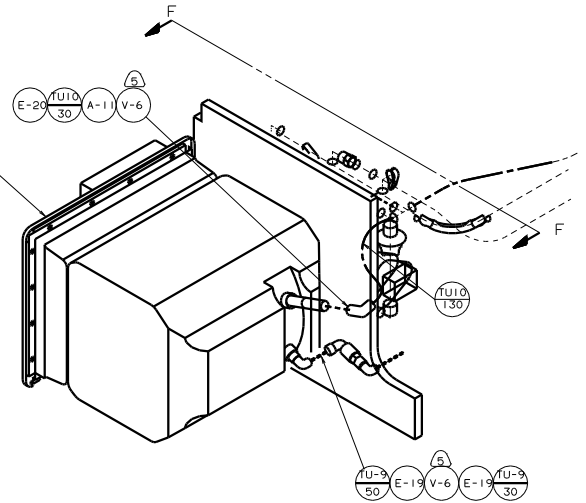
01 F30W

TITLE: WATER SYSTEM INSTL	
NO. OF SHEETS: 4	SHEET NO. 2
DATE: 1/16	134957

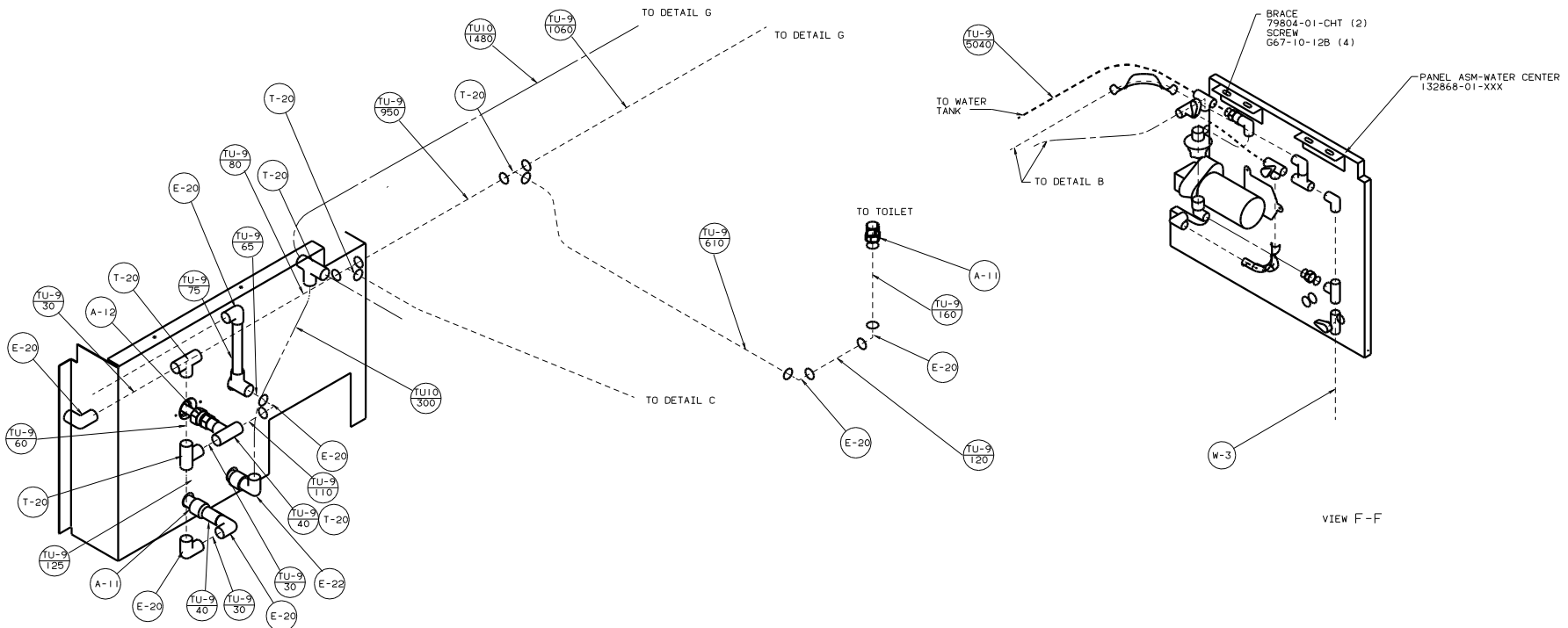


DETAIL CB

WATER HEATER
51393-01-000
DOOR
125420-04-CHT

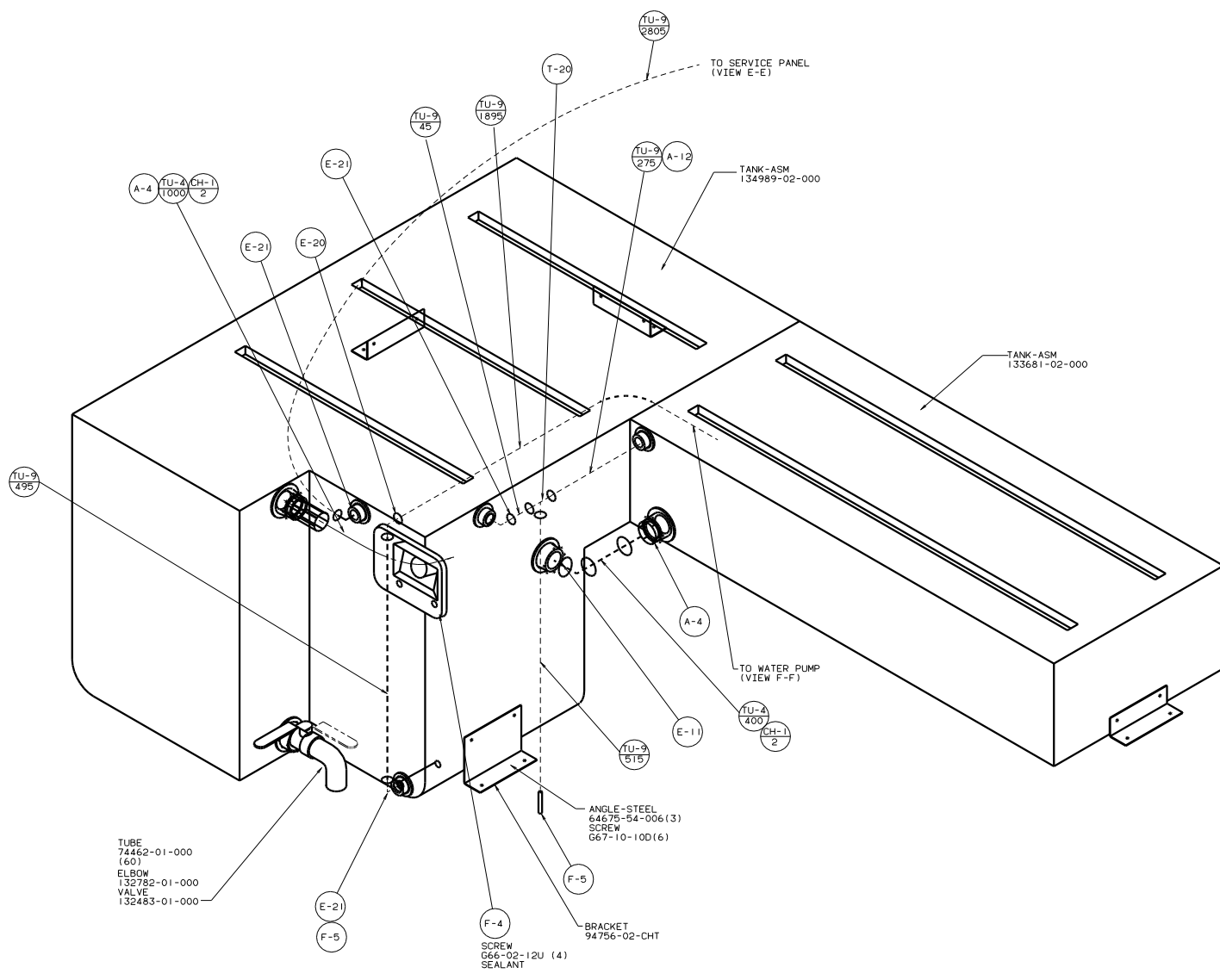


DETAIL A
SEE VIEW F-F FOR CALLOUTS



01 F30W

TITLE		WATER SYSTEM INSTL	
30	NO SCALE DRAWING	1/8"	1/16"
SHEET 3 OF 4		1	134957



DETAIL C