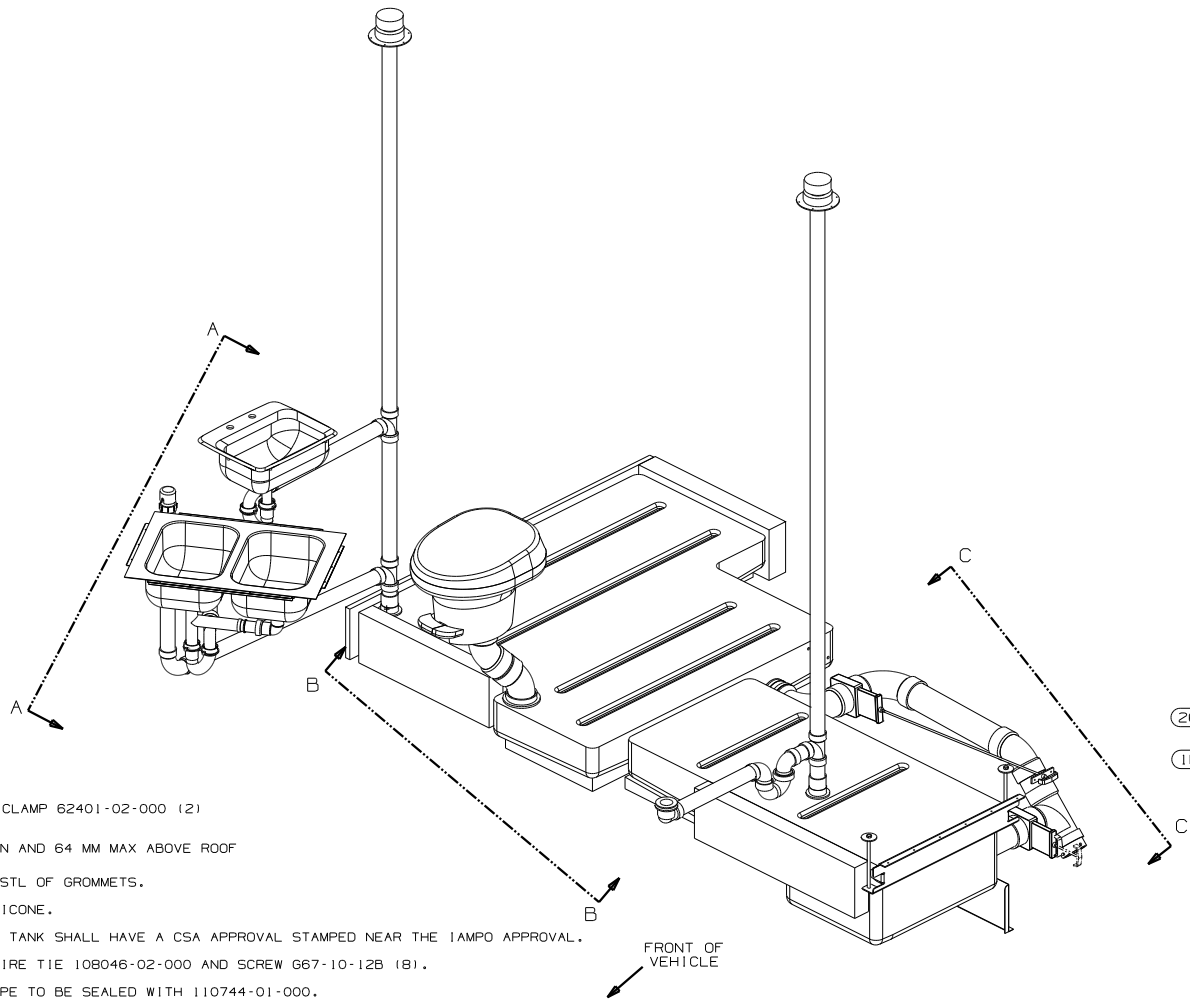


RELEASE	REV/DATE	DWG NO	136206
REV ZONE	REVISION RECORD	DATE	DTR-016



- 1. TRIM P-TRAP EXTENSION TO FIT.
- 2. SECURE VENT TUBES TO FLOOR WITH CLAMP 62401-02-000 (2) AND SCREW G67-10-12B (2).
- 3. VENT PIPE MUST PROJECT 51 MM MIN AND 64 MM MAX ABOVE ROOF FOR PROPER FIT AND FUNCTION.
- 4. SEE DRAWING 61607-01-000 FOR INSTL OF GROMMETS.
- 5. SEAL ALL AROUND SHOWER WITH SILICONE.
- 6. FOR CANADIAN UNITS EACH HOLDING TANK SHALL HAVE A CSA APPROVAL STAMPED NEAR THE IAMPO APPROVAL.
- 7. SECURE PIPES TO CABINET USING WIRE TIE 108046-02-000 AND SCREW G67-10-12B (8).
- 8. ALL EXTERIOR OPENINGS AROUND PIPE TO BE SEALED WITH 110744-01-000.
- 9. ALL PIPE AND FITTINGS TO BE ASSEMBLED WITH SOLVENT 4020-01-000.
- 10. SLOPE OF TRAP ARM MUST BE 6 PER 305.
- 11. SLOPE OF HORIZONTAL PIPING TO BE 6 PER 305 MIN.

(265) CODES/STANDARDS-CSA/CMVSS
 (1B1) CODES/STANDARDS USA

WINNEBAGO

DTR	ORIG. DATE	06/02/00
CHR	ALL DIMENSIONS ARE IN MILLIMETERS	
P.E.	FIRST USED	
M.E.	01 427P	
DWR	MATERIAL	
UNSPECIFIED TOLERANCES ARE:		
SIZE DIM (X)	+ .3	
ONE-PLACE (X,XX)	+	
TWO-PLACE (X,XXX)	+	
ANGLE	+	
THIRD ANGLE PROJECTION		

DO NOT SCALE DRAWING

TITLE	DRAINAGE SYSTEM INSTL
SHEET 1 of 3	PART NO 136206

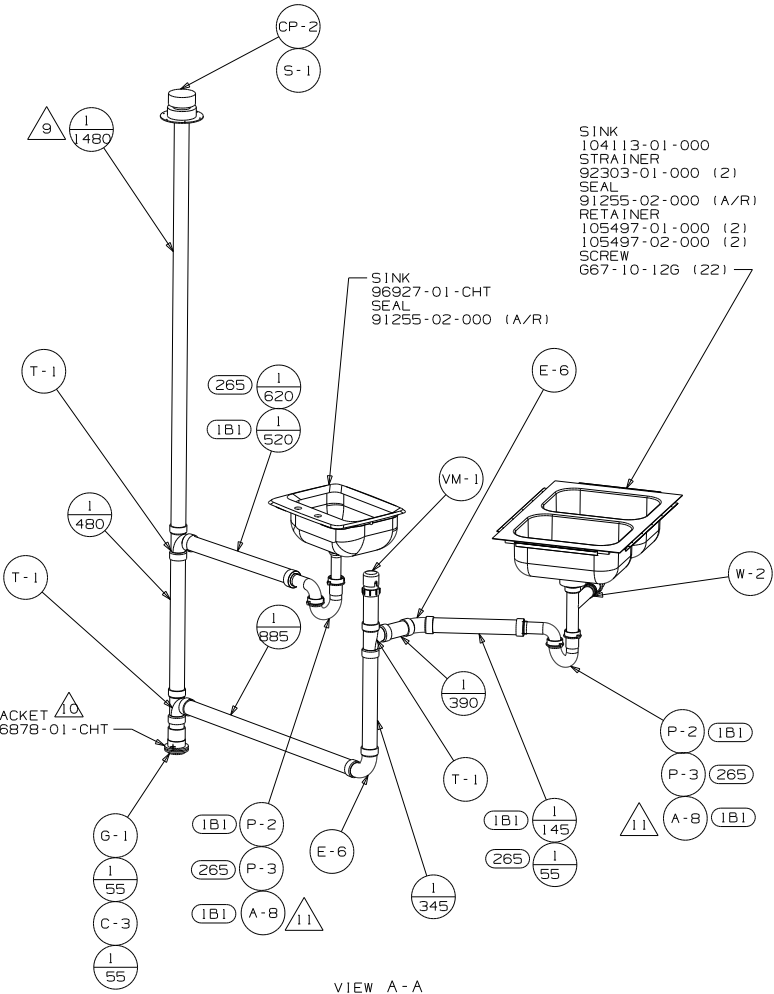
FOR DRAINAGE CALLOUTS SEE DWG NO 116229-01-000

SINK
 104113-01-000
 STRAINER
 92303-01-000 (2)
 SEAL
 91255-02-000 (A/R)
 RETAINER
 105497-01-000 (2)
 105497-02-000 (2)
 SCREW
 667-10-126 (22)

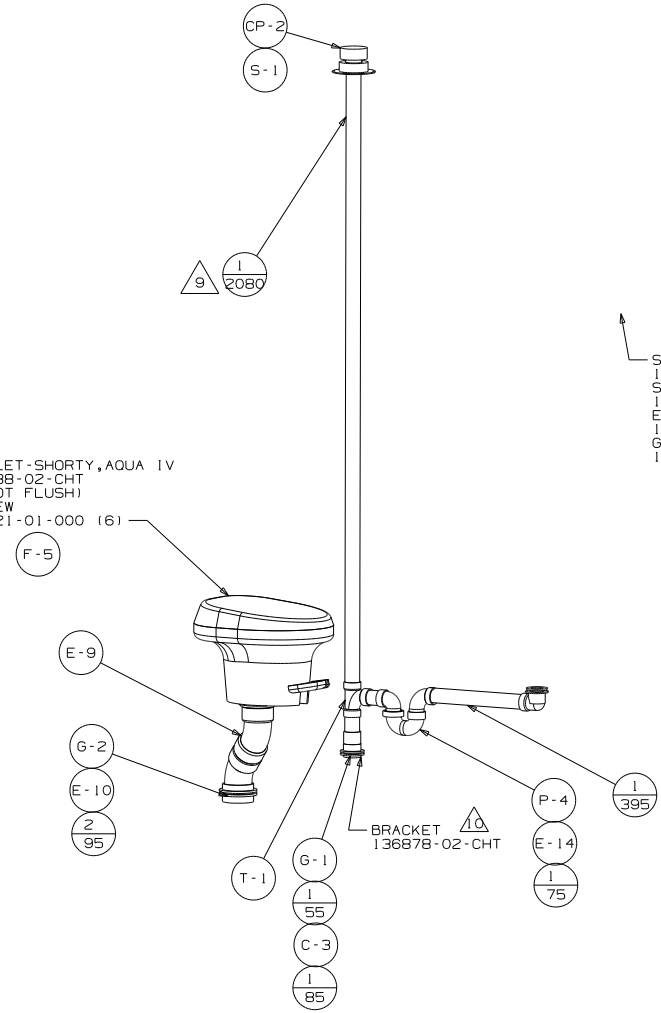
SINK
 96927-01-CHT
 SEAL
 91255-02-000 (A/R)

TOILET-SHORTY, AQUA IV
 84738-02-CHT
 (FOOT FLUSH)
 SCREW
 87721-01-000 (16)

SHOWER INSTL-ENCLOSURE
 134582-02-000
 STRAINER
 132150-01-CHT
 ELBOW-DRAIN
 131486-01-000
 GASKET-FOAM
 132376-01-CHT



VIEW A-A



VIEW B-B

FIRST USED	01 427P
DO NOT SCALE DRAWING	
TITLE: DRAINAGE SYSTEM INSTL	
SHEET 2	PART NO 136206

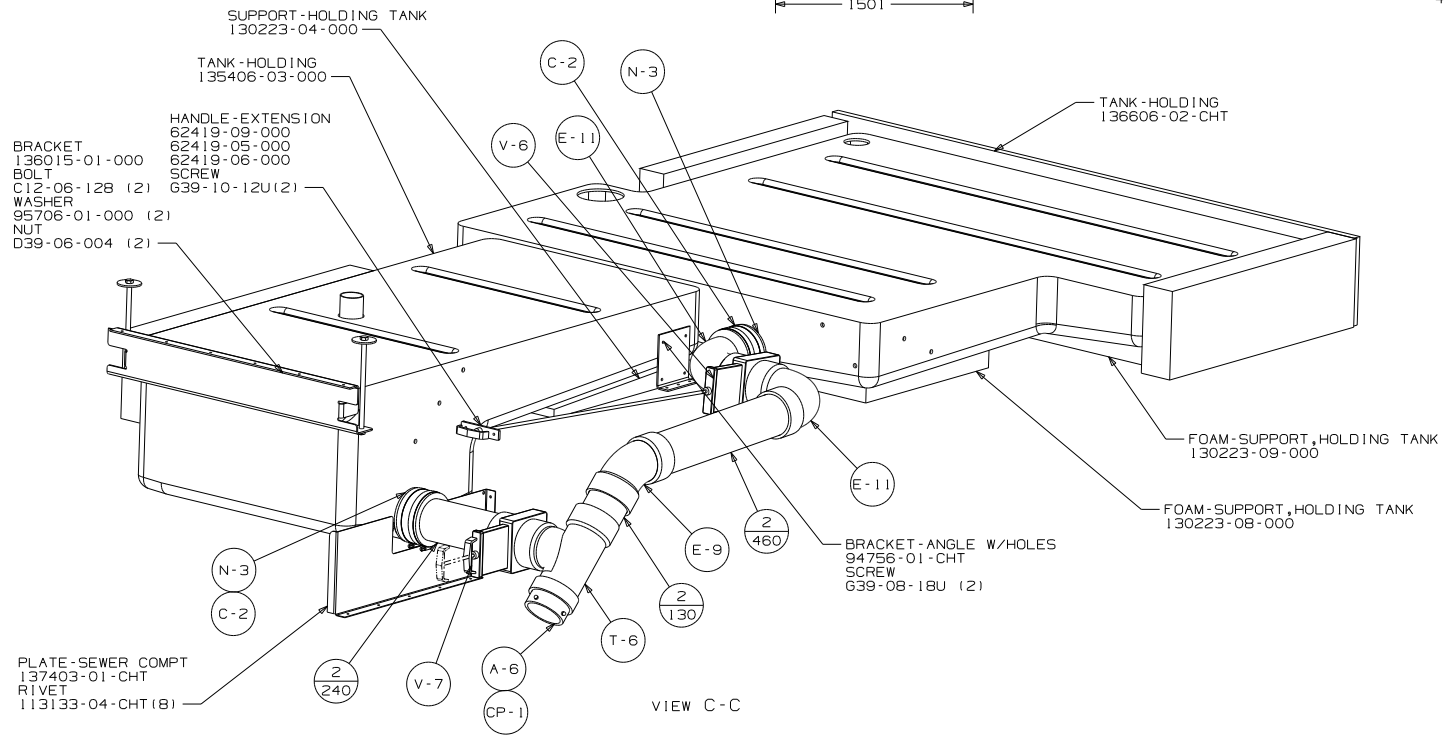
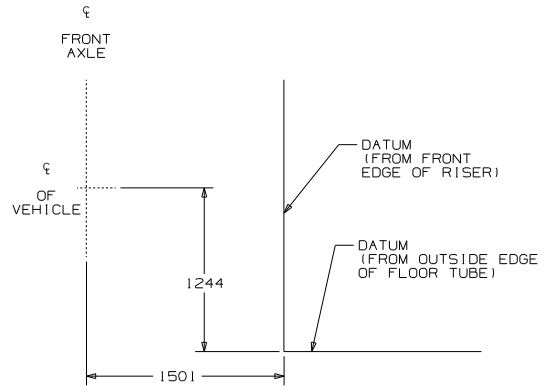
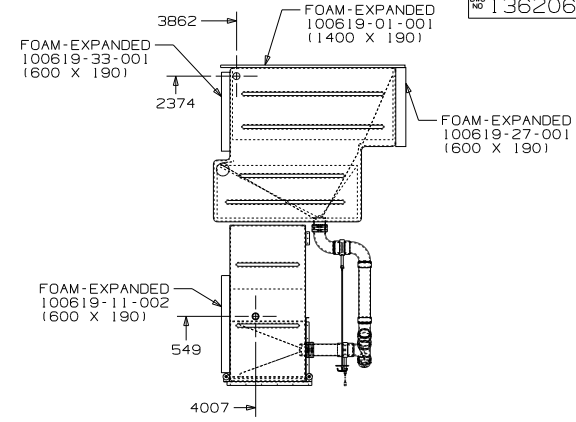
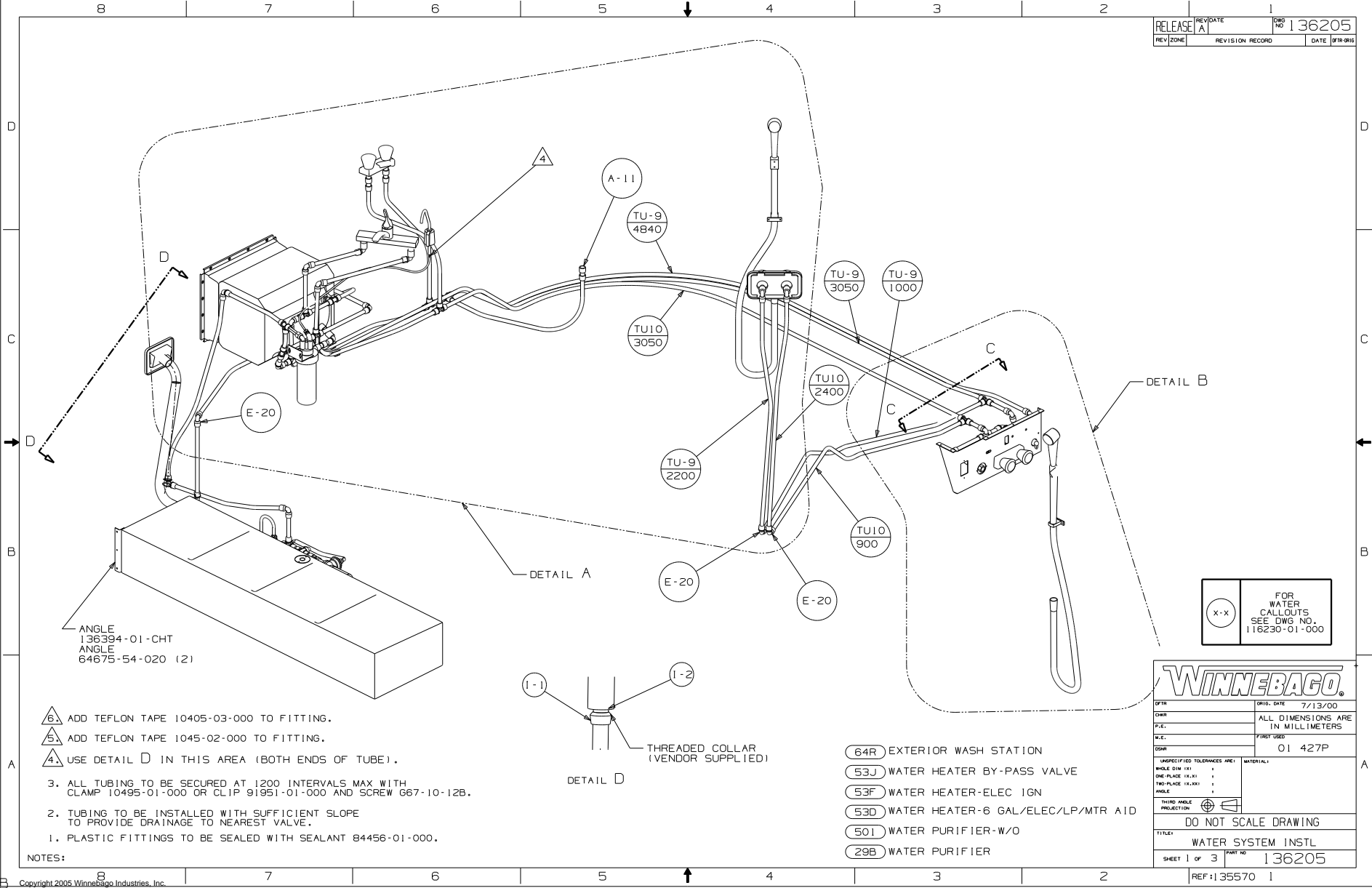


PLATE-SEWER COMPT 137403-01-CHT

RIVET 113133-04-CHT (8)

FIRST USED	01 427P
DO NOT SCALE DRAWING	
TITLE: DRAINAGE SYSTEM INSTL	
SHEET 3	PART NO 136206



X-X
FOR WATER CALLOUTS SEE DWG NO. 116230-01-000

WINNEBAGO

DTR	ORIG. DATE	7/13/00
CHR	ALL DIMENSIONS ARE IN MILLIMETERS	
P.E.	FIRST USED	
M.F.	01 427P	
QSR		

UNSPECIFIED TOLERANCES ARE:
 HOLE DIM ±.01
 DRILL PLACE ±.02
 TAP PLACE ±.02
 ANGLE ±
 THIRD ANGLE PROJECTION

DO NOT SCALE DRAWING

TITLE: WATER SYSTEM INSTL
 SHEET 1 OF 3 PART NO 136205

- (64R) EXTERIOR WASH STATION
- (53J) WATER HEATER BY-PASS VALVE
- (53F) WATER HEATER-ELEC IGN
- (53D) WATER HEATER-6 GAL/ELEC/LP/MTR AID
- (501) WATER PURIFIER-W/O
- (29B) WATER PURIFIER

- △6 ADD TEFLON TAPE 10405-03-000 TO FITTING.
 △5 ADD TEFLON TAPE 1045-02-000 TO FITTING.
 △4 USE DETAIL D IN THIS AREA (BOTH ENDS OF TUBE).
3. ALL TUBING TO BE SECURED AT 1200 INTERVALS MAX WITH CLAMP 10495-01-000 OR CLIP 91951-01-000 AND SCREW G67-10-12B.
 2. TUBING TO BE INSTALLED WITH SUFFICIENT SLOPE TO PROVIDE DRAINAGE TO NEAREST VALVE.
 1. PLASTIC FITTINGS TO BE SEALED WITH SEALANT 84456-01-000.

NOTES:

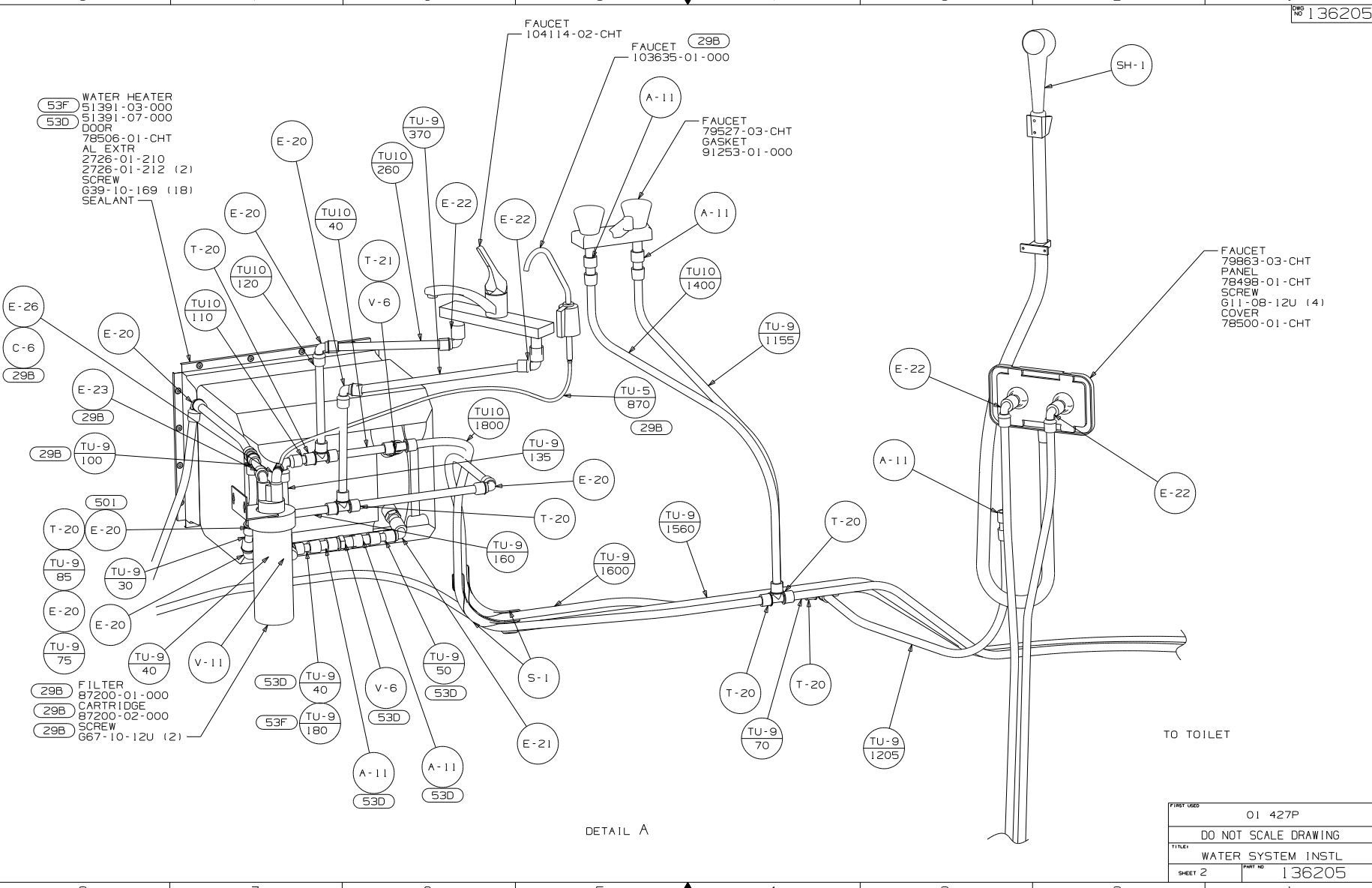
- 53F WATER HEATER
- 51391-03-000
- 53D 51391-07-000
- DOOR 78506-01-CHT
- AL EXTR 2726-01-210
- 2726-01-212 (2)
- SCREW 639-10-169 (18)
- SEALANT

- FAUCET 104114-02-CHT
- FAUCET 103635-01-000 (29B)

- FAUCET 79527-03-CHT
- GASKET 91253-01-000

- FAUCET 79863-03-CHT
- PANEL 78498-01-CHT
- SCREW 611-08-12U (4)
- COVER 78500-01-CHT

- 29B FILTER 87200-01-000
- CARTRIDGE 87200-02-000
- 29B SCREW 667-10-12U (2)



DETAIL A

FIRST USED		01 427P
DO NOT SCALE DRAWING		
TITLE: WATER SYSTEM INSTL		
SHEET 2	PART NO	136205

