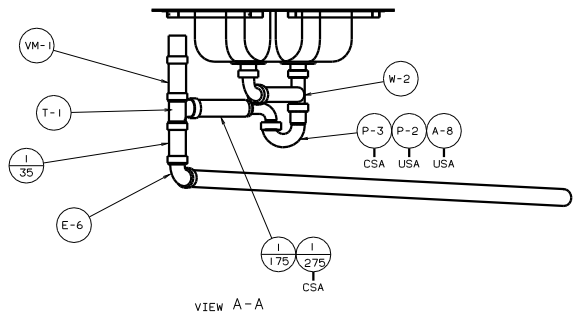
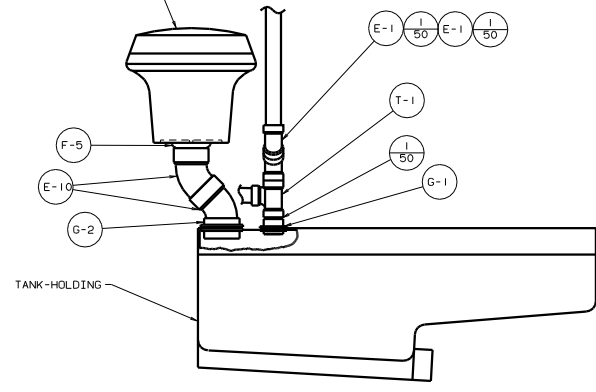


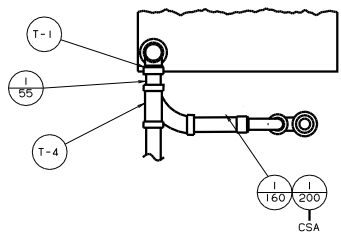
TOILET-SHORTY, AQUA IV
84738-01-CHT
(HAND FLUSH)
SCREW
87721-01-000 (6)
84738-02-CHT
(FOOT FLUSH)



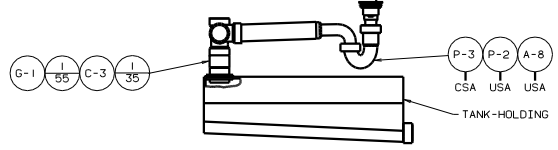
VIEW A-A



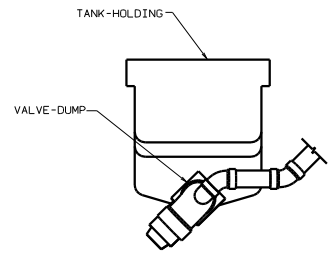
VIEW B-B



TAILPIECE

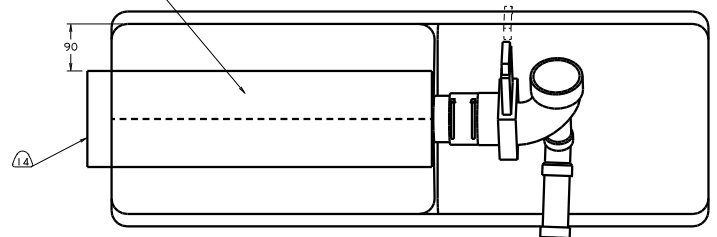


VIEW C-C



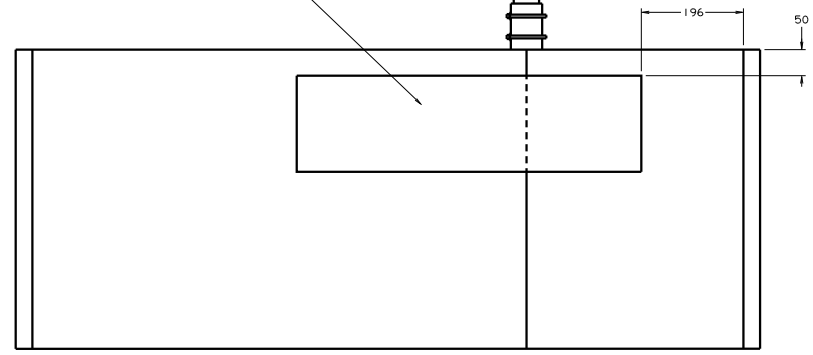
VIEW D-D

△(3) (23T) PAD-HEATER, HOLDING TANK, 40 GAL
133972-01-000



PAD-HEATER, ELBOW, 1.50
133972-05-000 △(3) △(3)

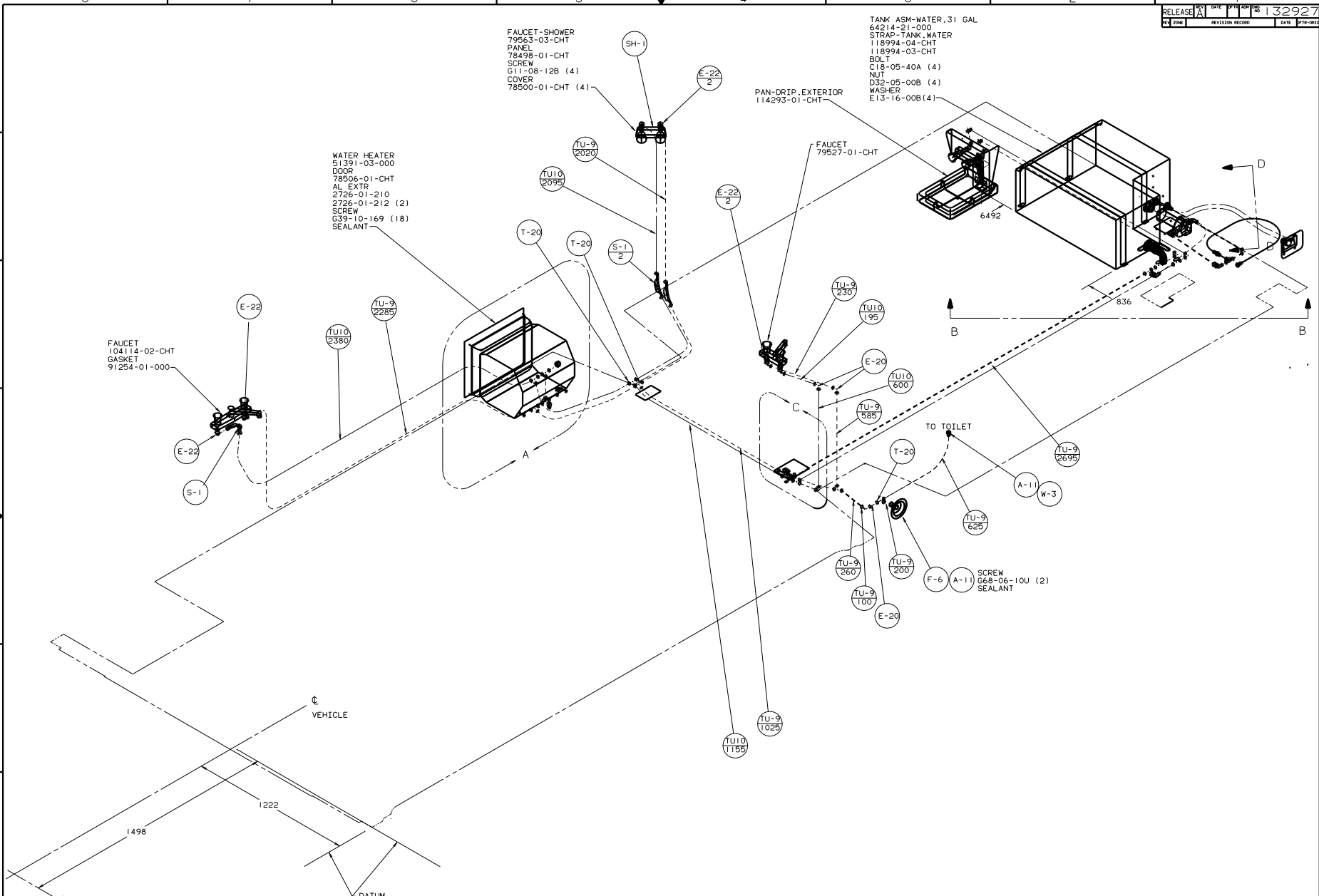
△(3) (23T) PAD-HEATER, HOLDING TANK, 40 GAL
133972-01-000



VIEW E-E

00 331C/T

TITLE: DRAINAGE SYSTEM INSUL		JOB NO: 134355	
DATE: 3/03	DRAWN: 3/03	CHKD: 1/03	APP'D: 1/03
SHEET 3 OF 3		JOB NO: 134355	



FAUCET-SHOWER
 79563-03-CHT
 PANEL
 78498-01-CHT
 SCREW
 G11-08-12B (4)
 COVER
 78500-01-CHT (4)

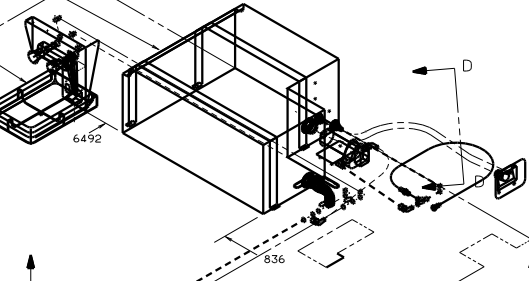
TANK ASM-WATER, 31 GAL
 64214-21-000
 STRAP-TANK, WATER
 118994-04-CHT
 118994-03-CHT
 BOLT
 C18-05-40A (4)
 NUT
 D32-05-00B (4)
 WASHER
 E13-16-00B(4)

WATER HEATER
 51391-03-000
 DOOR
 78506-01-CHT
 AL. EXTR
 2726-01-210
 2726-01-212 (2)
 SCREW
 G39-10-169 (18)
 SEALANT

FAUCET
 104114-02-CHT
 GASKET
 91254-01-000

PAN-DRIP, EXTERIOR
 114293-01-CHT

FAUCET
 79627-01-CHT



- NOTES:
- ④ ADD TEFLON TAPE 10405-01-000 TO FITTING.
 - ⑤ ADD TEFLON TAPE 10405-02-000 TO FITTING.
 - ④ CAP SEAL. SEE SEALANT MANUAL.
 3. ALL TUBING TO BE SECURED AT 1200 INTERVALS MAX WITH CLAMP 10495-01-000 OR CLIP 91951-01-000 AND SCREW G67-10-12B.
 2. TUBING TO BE INSTALLED WITH SUFFICIENT SLOPE TO PROVIDE DRAINAGE TO NEAREST VALVE.
 1. PLASTIC FITTINGS TO BE SEALED WITH SEALANT 84456-01-000.

(X-X) FOR WATER CALLOUTS SEE DWG NO 116230-01-000

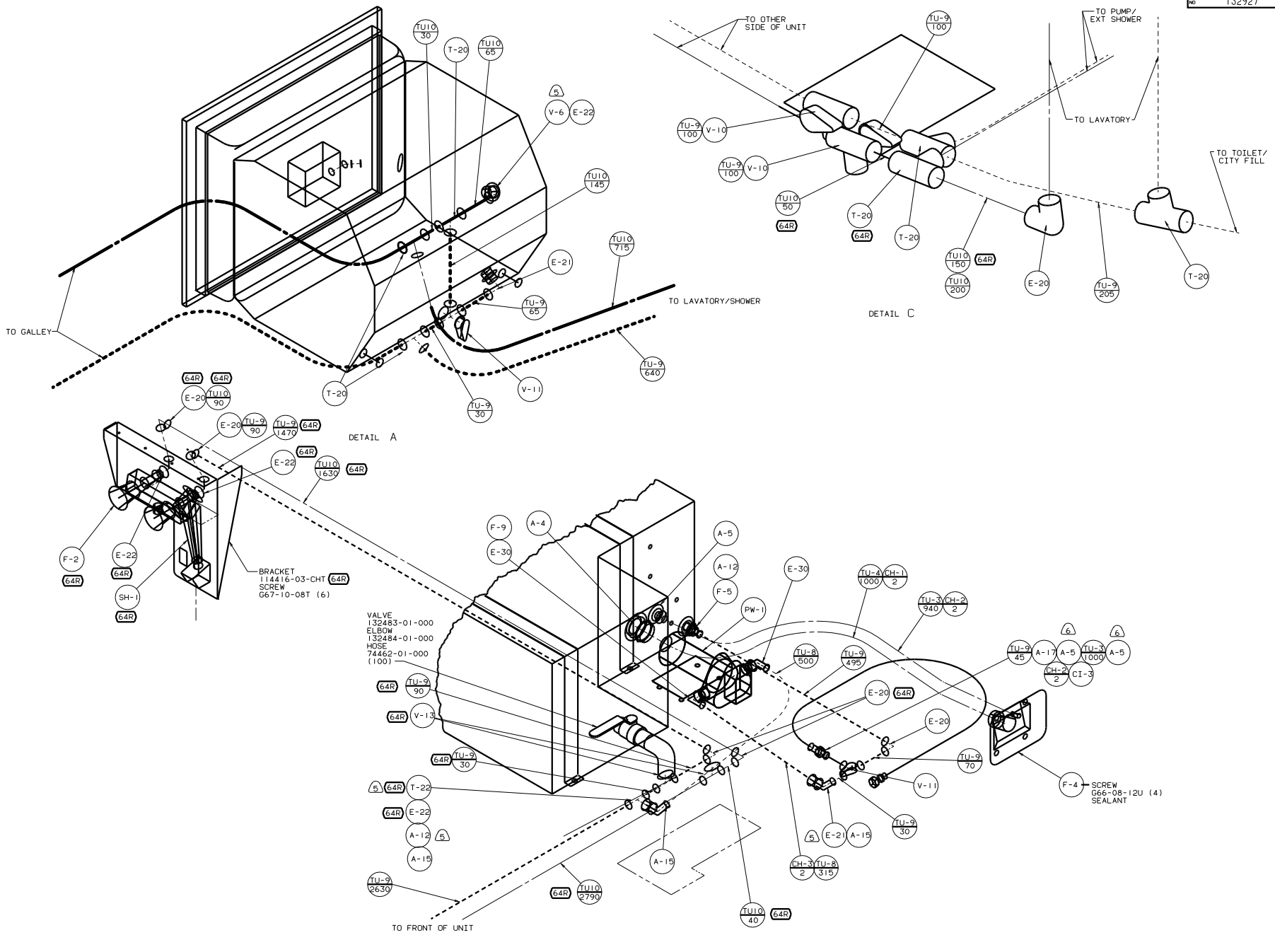
LEGEND	
HOT	— — — —
COLD	• • • • •

(64R) EXTERIOR WASH STATION

WINNEBAGO 00 331C/T

DATE	UNDESIGNED TOLERANCES ARE:	MATERIAL
DATE	WHOLE DIM (IN)	
DATE	ONE-PLACE (IN.XI)	
DATE	TWO-PLACE (IN.XX)	
DATE	THREE-PLACE (IN.XXX)	
DATE	INDIC. W/ANGLE PROJECTION	

LAYOUT NO. DATE TITLE: WATER SYSTEM INSTL
 DIA # SCALE: NONE TO THE SCALE SHOWN: 1:1
 ALL DIMENSIONS ARE IN MILLIMETERS SHEET 1 OF 3 TWT
 REF: 130333 E I 132927



VIEW B-B
49X BED-QUEEN, BACKWALL

00 331C/T

TITLE		WATER SYSTEM INSTL	
NO. OF SHEETS	REV.	DATE	BY
2 OF 3	1		

- VALVE 132483-01-000
- COUPLING 101814-03-000
- ADAPTER 44927-02-000
- ELBOW 132781-01-000
- TUBING 74462-01-000 (650)

