

- SINK 104113-01-000
- STRAINER 92303-01-000 (2)
- SEAL 91255-02-000 (A/R)
- RETAINER 105497-01-000 (2)
- 105497-02-000 (2)
- SCREW G67-10-126 (20)

- SHOWER PAN 115611-02-CHT
- SHOWER ENCLOSURE INSTL 116119-01-000 (43F)
- TAILPIECE 11069-01-000
- NUT 130403-01-000
- WASHER 127440-02-CHT
- STRAINER 66729-01-000
- SEALANT

- HOLDER-RING 56134-02-000
- BOLT C12-05-16B
- NUT D12-05-00B
- HANGER-STRAP 56133-13-000
- BOLT C18-05-40A
- NUT D39-05-00B

(23T) HEATED HOLDING TANK-PACKAGE  
 (43F) SHOWER SURROUND

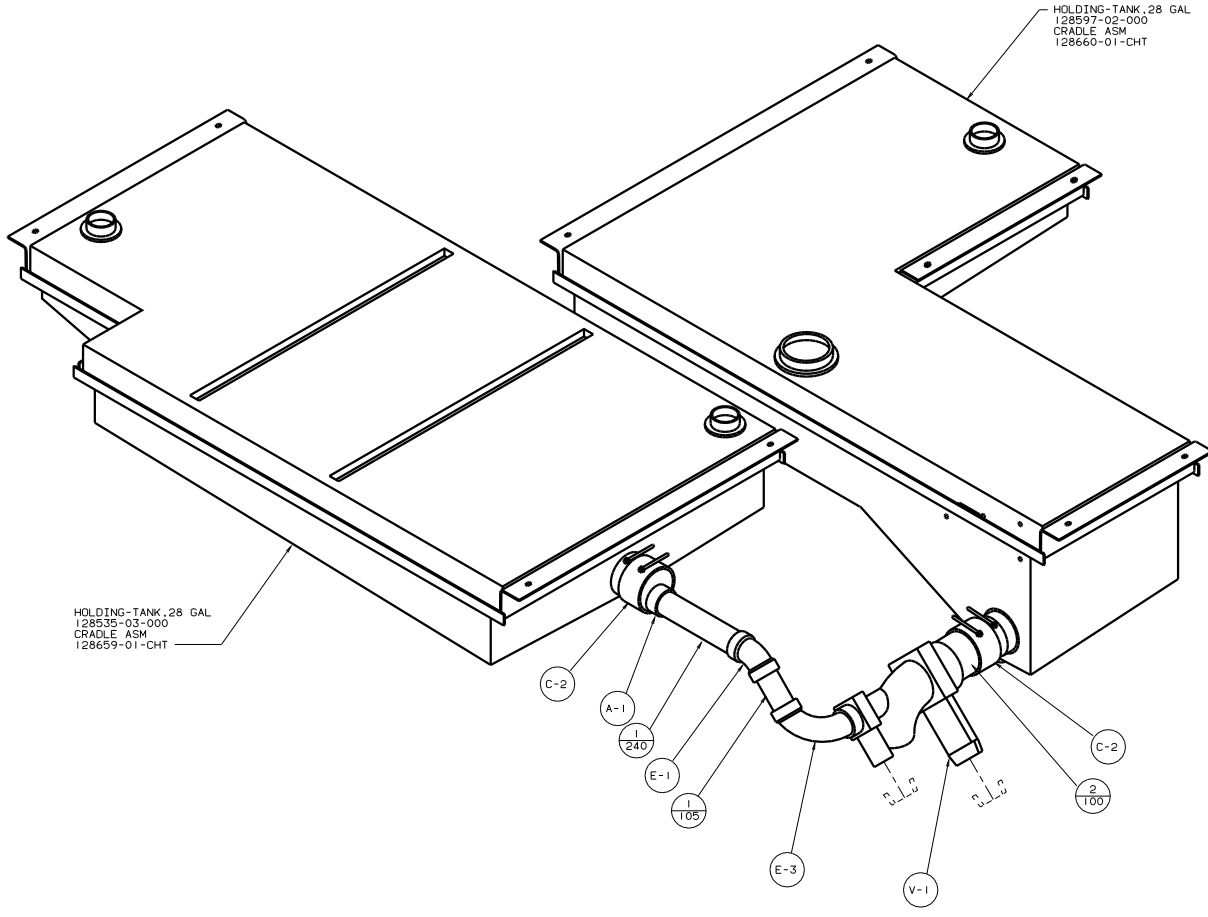
- (13) SEE WIRING INSTL-BODY. 12V FOR ELECTRICAL CONNECTIONS.
- 12 SECURE PIPES TO CABINET USING WIRE TIE 108046-02-000 AND SCREW G67-10-12U(8).
- 11 TRIM P-TRAP EXTENSION TO FIT.
- (10) SECURE VENT TUBES TO FLOOR WITH BRACKET 95061-01-000(2), CLAMP 62401-02-000, SCREW G67-10-12B(2).
- (9) VENT PIPE MUST PROJECT 51 MM MIN AND 64 MM MAX ABOVE ROOF FOR PROPER FIT AND FUNCTION.
- 8. SEE DWG 61607-01-000 FOR INSTL OF GROMMETS.
- 7. SEAL ALL AROUND SHOWER WITH SILICONE.
- 6. FOR CAN UNITS EACH HOLDING TANK SHALL HAVE A CSA APPROVAL STAMPED NEAR THE IAMPO APPROVAL.
- 5. EXPOSED PIPE ABOVE ROOF TO BE PAINTED 37163-01-000.
- 4. ALL EXTERIOR OPENINGS AROUND PIPE TO BE SEALED WITH 110744-01-000.
- 3. ALL PIPE AND FITTINGS TO BE ASSEMBLED WITH SOLVENT 4020-01-000.
- 2. SLOPE OF TRAP ARM MUST BE 6 PER 305.
- 1. SLOPE OF HORIZONTAL PIPING TO BE 6 PER 305 MIN.

DPRN		DATE	UNDESIGNED TOLERANCES ARE:	MATERIAL:
DWG	DATE		ANGLE DEP (°)	?
P.E.	DATE		ANG-PLATE (°)	?
DWG	DATE		ANG-PLATE (°)	?
P.E.	DATE		THIRD ANGLE PROJECTION	
DWG	DATE			
LAYER NO.	---	TITLE:		
SIZE #	SCALE: NONE	NO SCALE RECORDING		
ALL DIMENSIONS ARE IN MILLIMETERS	SHEET 1 OF 4	REV NO	133750	

(X-X) FOR DRAINAGE CALLOUTS SEE DWG NO. 116229-01-000

DRAINAGE SYSTEM INSTL  
 2 REF: 130428 E



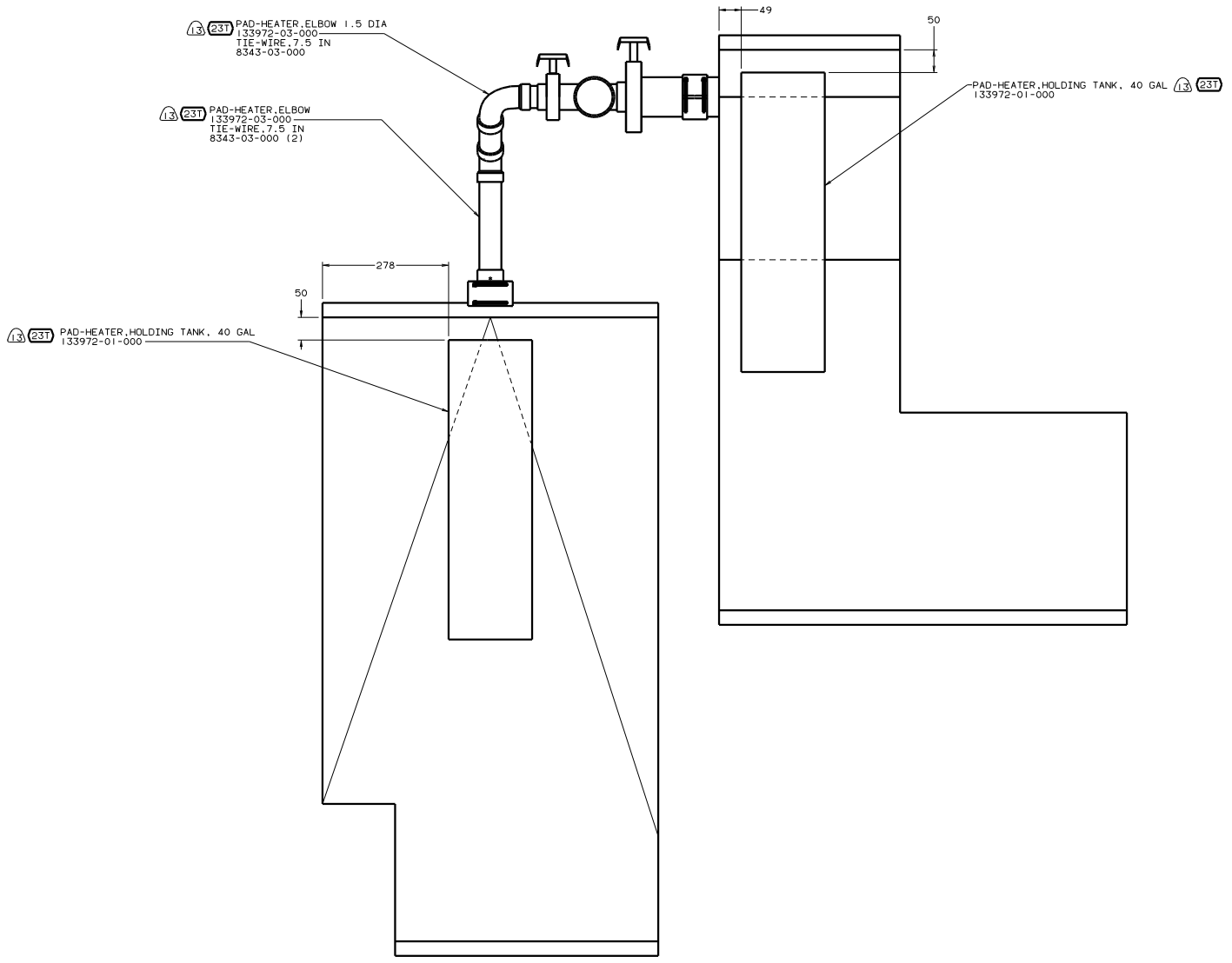


HOLDING-TANK, 28 GAL  
 128535-03-000  
 CRADLE ASM  
 128659-01-CHT

HOLDING-TANK, 28 GAL  
 128597-02-000  
 CRADLE ASM  
 128660-01-CHT

C-2  
 A-1  
 I-240  
 E-1  
 I-105  
 E-3  
 V-1  
 C-2  
 2-100

DETAIL D

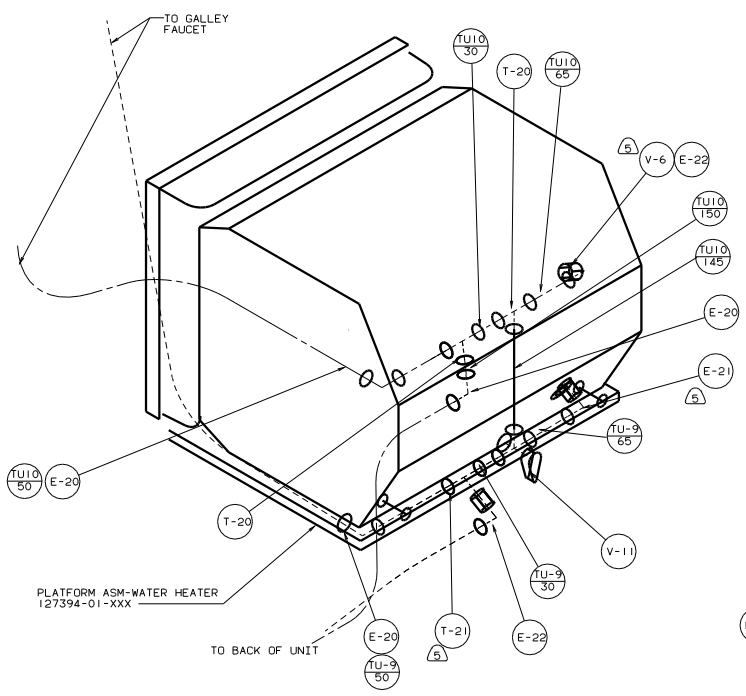


VIEW E-E

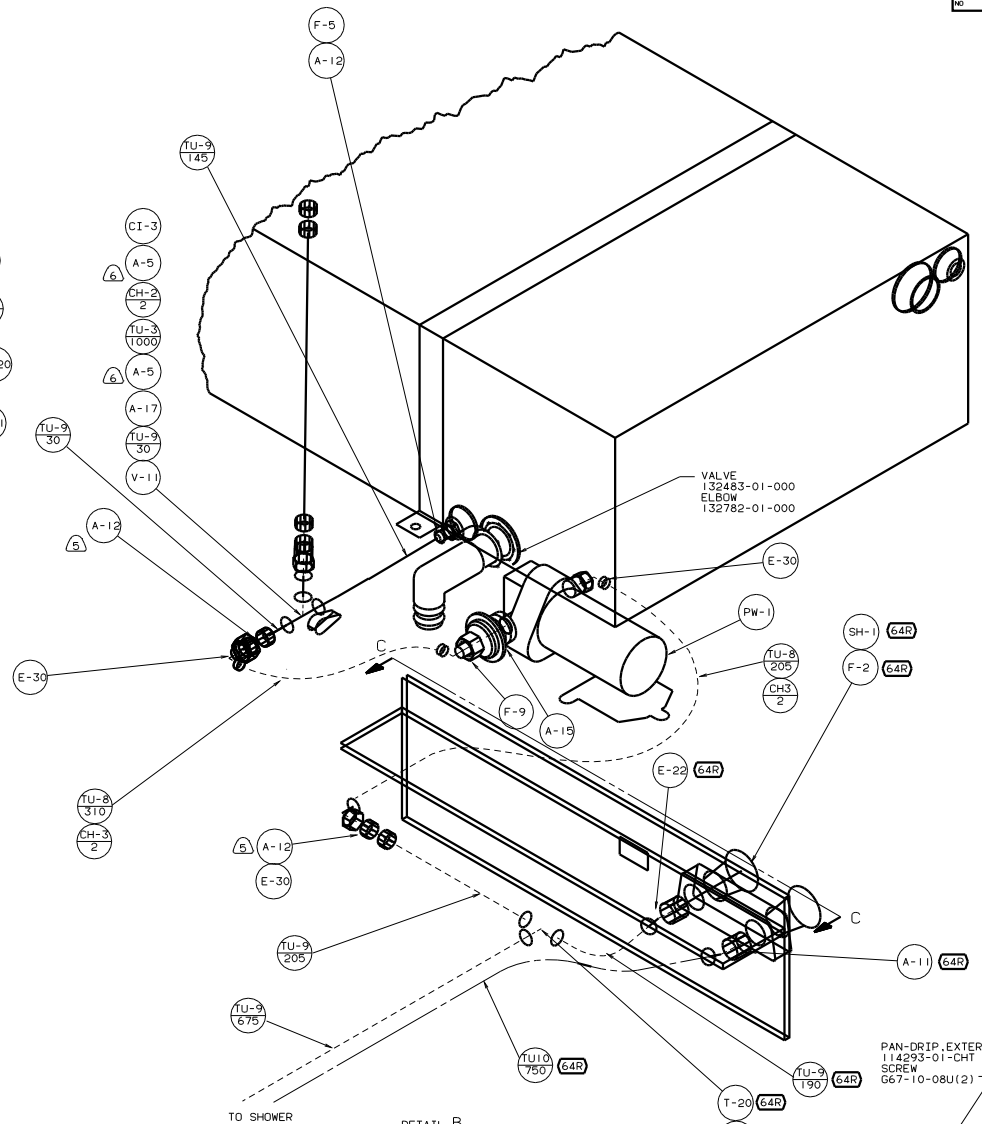
00 327P

TITLE: DRAINAGE SYSTEM INSL	
DATE: 133750	FIG. NO: 1
SHEET 4 OF 4	133750

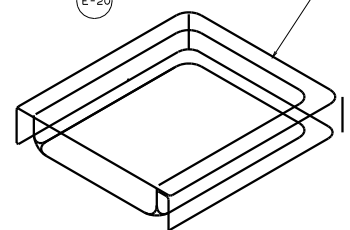




DETAIL A



DETAIL B  
(44V)



00 327P

TITLE		WATER SYSTEM INSTL	
30	NO SCALE DRAWING	1	REV
SHEET 2 OF 3		1	DATE
		133780	

