

⑩ SEE WIRING INSTL-BODY. 12V FOR ELECTRICAL CONNECTIONS.

9. SECURE PIPES TO CABINET USING WIRE TIE 108046-02-000 AND SCREW G67-10-12U (8).

⑧ VENT PIPE MUST PROJECT 51 MIN TO 64 MAX ABOVE ROOF FOR PROPER FIT AND FUNCTION.

7. SEE DWG 61607-01-000 FOR INSTL OF GROMMET.

6. SEAL ALL AROUND SHOWER PAN.

5. FOR CANADIAN UNITS EACH HOLDING TANK SHALL HAVE A CSA APPROVAL STAMPED NEAR THE IAPMO APPROVAL.

4. ALL EXTERIOR OPENINGS AROUND PIPE TO BE SEALED WITH 110744-01-000.

3. ALL PIPE AND FITTINGS TO BE ASSEMBLED WITH SOLVENT 4020-01-000.

2. SLOPE OF TRAP MUST BE 6 PER 300 MINIMUM.

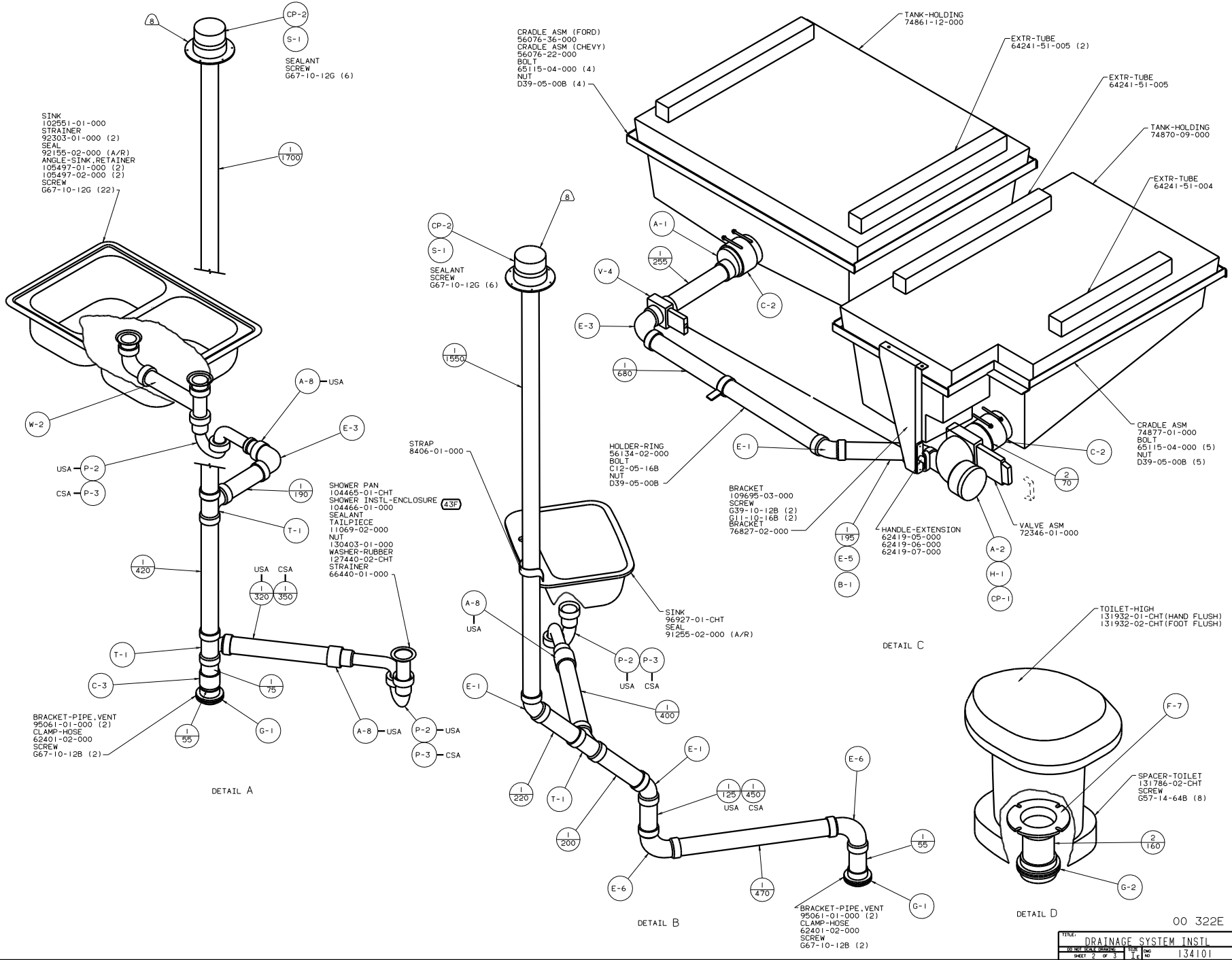
1. SLOPE OF HORIZONTAL PIPING TO BE 6 PER 300 MINIMUM.

②31 HEATED HOLDING TANKS-PACKAGE

④3F SHOWER SURROUND

FOR DRAINAGE CALL-OUTS SEE DWG NO. 116229-01-000

WINNEBAGO		00 322E
QTY	DATE	UNSPECIFIED TOLERANCES ARE:
CHP	DATE	WHOLE DIM (IN)
FYE	DATE	ONE-PLACE (X.X1)
FYE	DATE	TWO-PLACE (X.XX)
FYE	DATE	ANGLE
CDR	DATE	THIRD ANGLE PERSPECTIVE
DRW NO	00C322E	TITLE
REV #	SCALE	NOTE
ALL DIMENSIONS ARE IN MILLIMETERS	SHEET 1 OF 3	FIG NO 134101



SINK  
10255-01-000  
STRAINER  
92303-01-000 (2)  
SEAL  
92155-02-000 (A/R)  
ANGLE-SINK\_RETAINER  
105497-01-000 (2)  
105497-02-000 (2)  
SCREW  
667-10-12G (22)

CP-2  
S-1  
SEALANT  
SCREW  
667-10-12G (6)

CRADLE ASM (FORD)  
56076-36-000  
CRADLE ASM (CHEVY)  
56076-22-000  
BOLT  
65115-04-000 (4)  
NUT  
D39-05-00B (4)

TANK-HOLDING  
74861-12-000

EXTR-TUBE  
64241-51-005 (2)

EXTR-TUBE  
64241-51-005

TANK-HOLDING  
74870-09-000

EXTR-TUBE  
64241-51-004

CRADLE ASM  
74877-01-000  
BOLT  
65115-04-000 (5)  
NUT  
D39-05-00B (5)

BRACKET  
109695-03-000  
SCREW  
G39-10-12B (2)  
G11-12-16B (2)  
BRACKET  
76827-02-000

HANDLE-EXTENSION  
52419-05-000  
62419-06-000  
62419-07-000

VALVE ASM  
72346-01-000

HOLDER-RING  
56134-02-000  
BOLT  
C12-05-16B  
NUT  
D39-05-00B

STRAP  
8406-01-000

SHOWER PAN  
104465-01-CHT  
SHOWER INSTL-ENCLOSURE  
104466-01-000  
SEALANT  
TAILPIECE  
11069-02-000  
NUT  
130403-01-000  
WASHER-RUBBER  
127440-02-CHT  
STRAINER  
66440-01-000

SINK  
96927-01-CHT  
SEAL  
91255-02-000 (A/R)

DETAIL C

TOILET-HIGH  
131932-01-CHT (HAND FLUSH)  
131932-02-CHT (FOOT FLUSH)

BRACKET-PIPE\_VENT  
95061-01-000 (2)  
CLAMP-HOSE  
62401-02-000  
SCREW  
667-10-12B (2)

DETAIL A

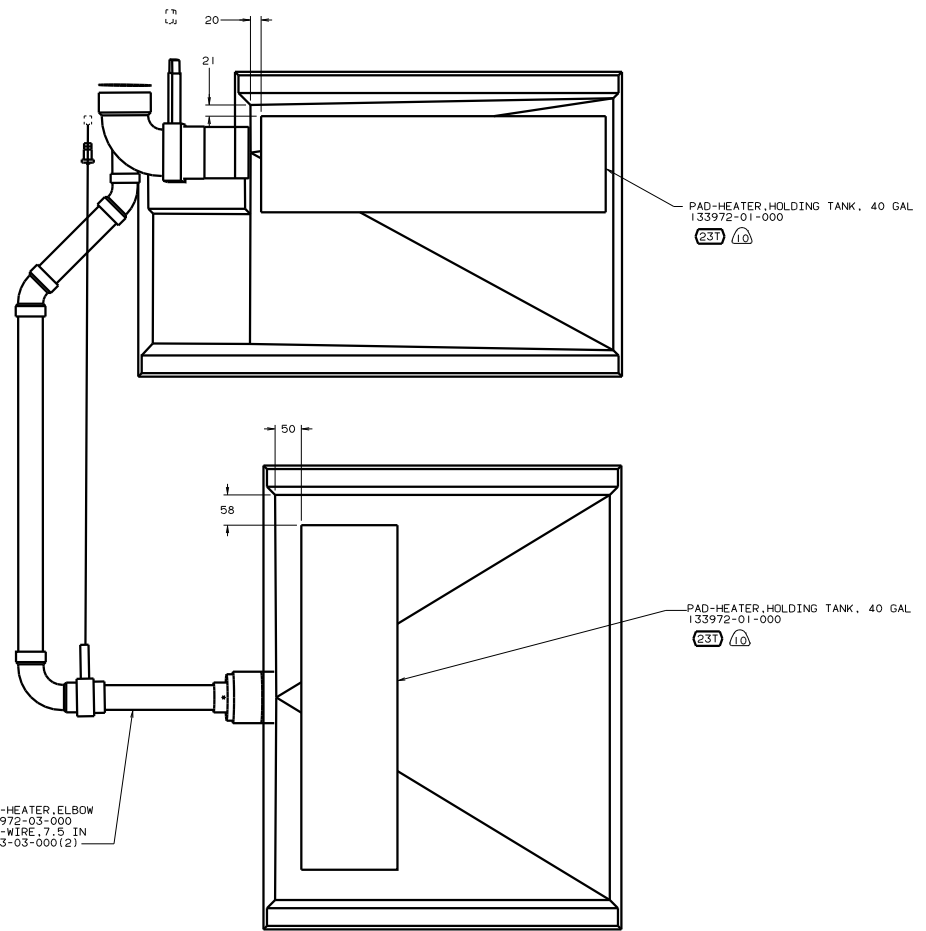
BRACKET-PIPE\_VENT  
95061-01-000 (2)  
CLAMP-HOSE  
62401-02-000  
SCREW  
667-10-12B (2)

DETAIL B

BRACKET-PIPE\_VENT  
95061-01-000 (2)  
CLAMP-HOSE  
62401-02-000  
SCREW  
667-10-12B (2)

DETAIL D

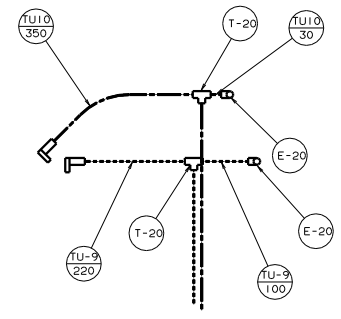
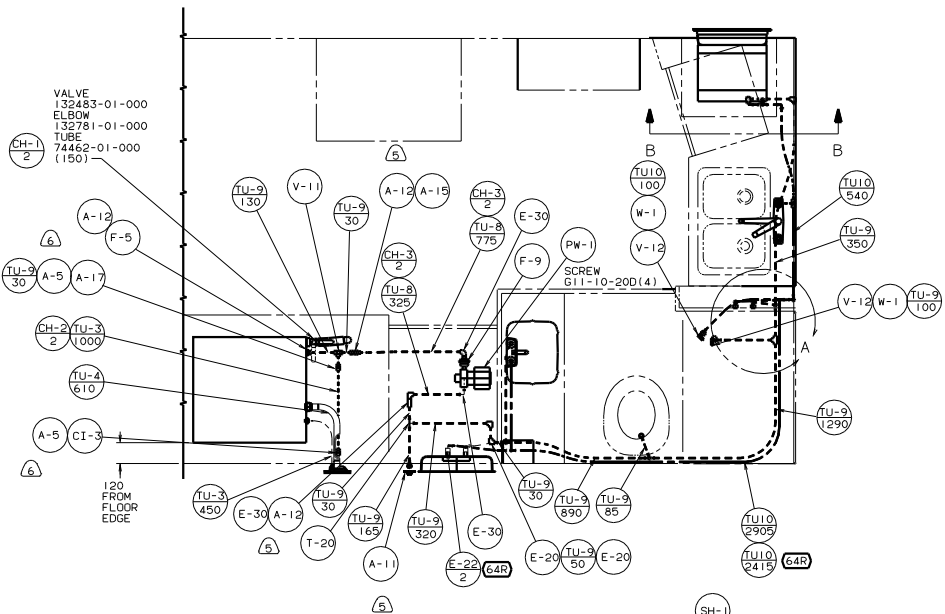
SPACER-TOILET  
131786-02-CHT  
SCREW  
G57-14-64B (8)



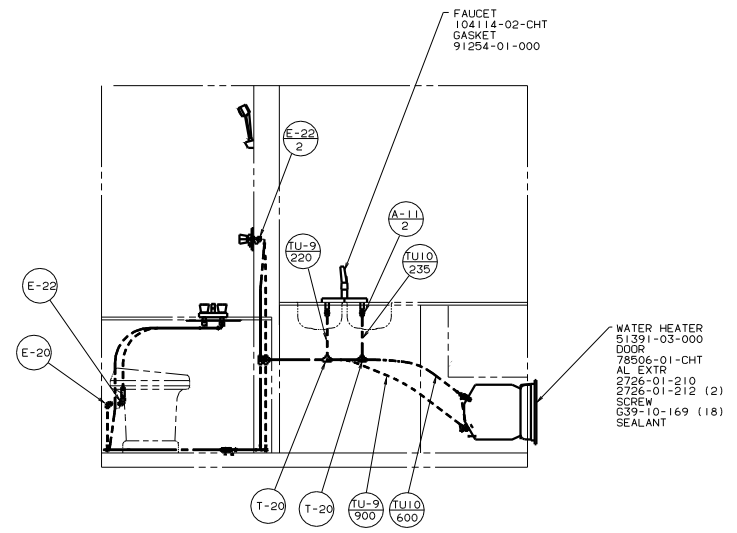
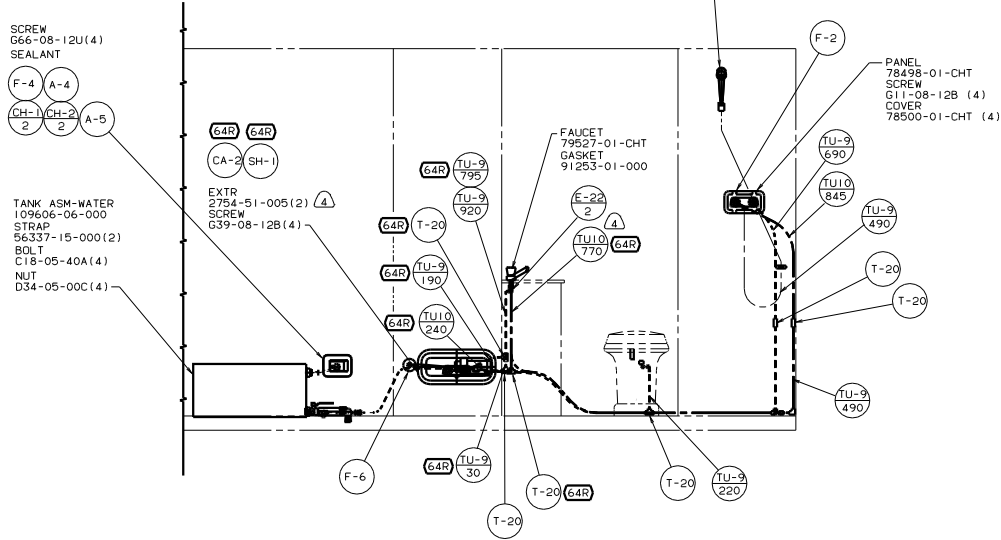
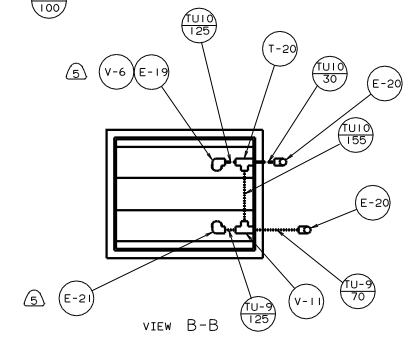
VIEW E-E

00 322E

TITLE: DRAINAGE SYSTEM INSTL	
DATE: 11/11/05	REV: 1
SHEET 3 OF 3	DWG NO: 134101



DETAIL A



64R EXTERIOR WASH STATION

- 6 ADD TEFLON TAPE 10405-03-000 TO FITTING.  
 5 ADD TEFLON TAPE 10405-02-000 TO FITTING.  
 4 CAPSEAL SEE SEALANT MANUAL.
3. ALL TUBING TO BE SECURED AT 1200 INTERVALS MAX WITH CLAMP 10495-01-000 AND SCREW G67-10-12B.  
 2. TUBING TO BE INSTALLED WITH SUFFICIENT SLOPE TO PROVIDE DRAINAGE TO NEAREST VALVE.  
 1. PLASTIC FITTINGS TO BE SEALED WITH SEALANT 84456-01-000.

LEGEND

HOT	-----
COLD	*****

FOR WATER CALLOUTS SEE DWG NO. 116230-01-000

WINNEBAGO 00 322E

DATE	UNDESIGNED TOLERANCES ARE:	MATERIAL
DATE	WHOLE DIM (X)	
DATE	ONE-PLACE (X.X)	
DATE	TWO-PLACE (X.XX)	
DATE	MILL	
DATE	THIRD ANGLE PROJECTION	
DATE		
DATE		
DATE		
DATE		

LANRHT 00C322E TITLE WATER SYSTEM INSTL  
 DIA # SCALE NOTE 300 1/8" SCALE 1:1  
 ALL DIMENSIONS ARE IN MILLIMETERS SHEET 1 OF 1