

5. EXPOSED PIPE ABOVE ROOF TO BE PAINTED 37163-01-000.
4. ALL EXTERIOR OPENINGS AROUND PIPE TO BE SEALED WITH 69637-01-000.
3. ALL PIPE AND FITTINGS TO BE ASSEMBLED WITH SOLVENT 4020-01-000.
2. SLOPE OF TRAP ARM MUST BE 6 PER 305.
1. SLOPE OF HORIZONTAL PIPING TO BE 6 PER 305 MIN.

9. USE SCRAP CLOSED CELL NEOPRENE FROM 77075-01-.02 OR -03 ON HAT CHANNELS FOR VIBRATION DAMPENING.
8. VENT PIPE MUST PROJECT 51 MIN AND 63.5 MAX ABOVE ROOF FOR PROPER FIT AND FUNCTION.
7. SEE DWG 61607-01-000 FOR INSTALLATION OF GROMMET.
6. FOR CAN UNITS EACH HOLDING TANK SHALL HAVE A CSA APPROVAL STAMPED NEAR THE IAMPO APPROVAL.

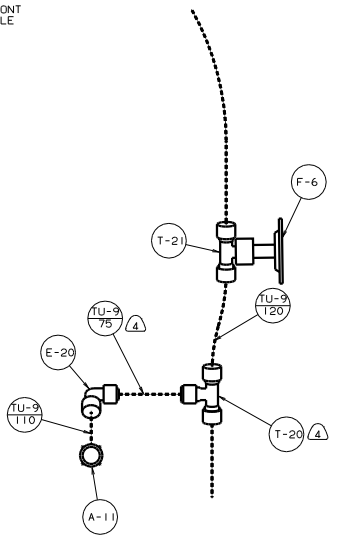
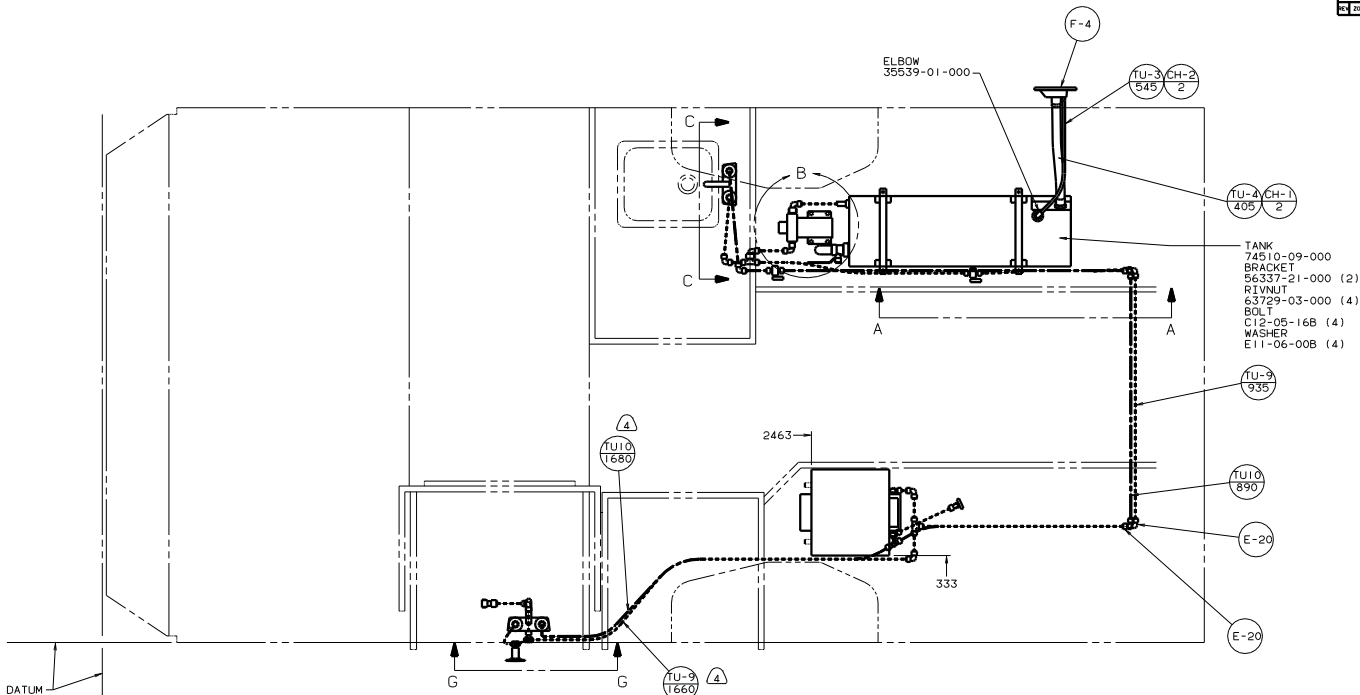
10. SECURE PIPES TO CABINET USING WIRE TIE 108046-02-000 AND SCREW 667-10-12U (8).

FOR DRAINAGE CALLOUTS SEE DWG NO. 116229-01-000

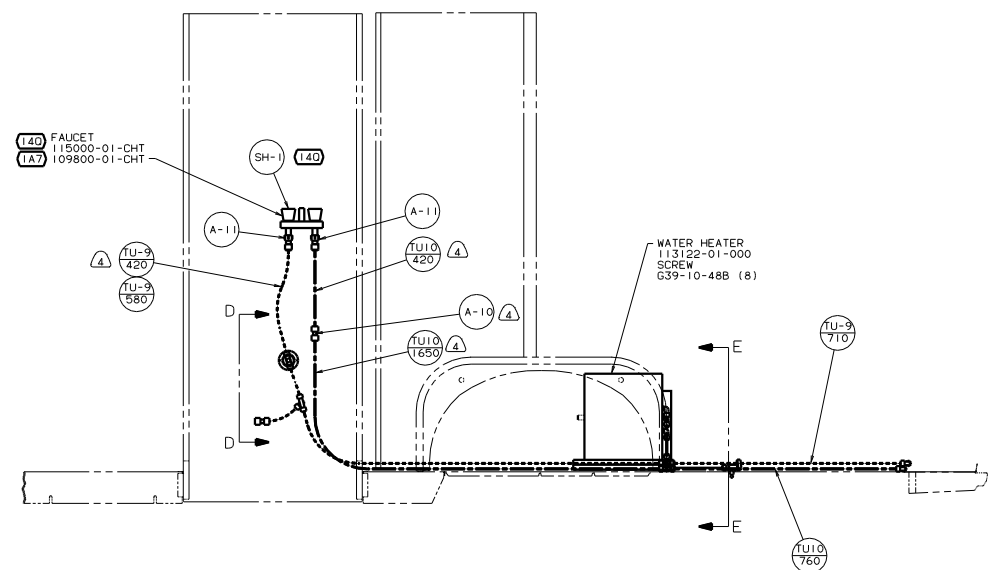
222 RD US/CANADIAN

- 265 CODES/STANDARDS-CSA/CMVSS
- 1B1 CODES STANDARDS/USA
- 1A7 SHOWER PACKAGE-WITHOUT
- 140 SHOWER PACKAGE

LAYOUT NO. 200GEN		TITLE: DRAINAGE SYSTEM INSTL		99 22200	
DATE	DATE	UNDESIGNED TOLERANCES ARE:	MATERIAL:		
DATE	DATE	WHOLE OR 1/16"	F 3		
DATE	DATE	ONE-PLACE (X.X1)	F 1		
DATE	DATE	TWO-PLACE (X.XX)	F 2		
DATE	DATE	THREE-PLACE (X.XXX)	F 3		
DATE	DATE	FOUR-PLACE (X.XXXX)	F 4		
DATE	DATE	FIVE-PLACE (X.XXXXX)	F 5		
DATE	DATE	SIX-PLACE (X.XXXXXX)	F 6		
DATE	DATE	SEVEN-PLACE (X.XXXXXXX)	F 7		
DATE	DATE	EIGHT-PLACE (X.XXXXXXX)	F 8		
DATE	DATE	NINE-PLACE (X.XXXXXXX)	F 9		
DATE	DATE	TEN-PLACE (X.XXXXXXX)	F 10		
DATE	DATE	ELEVEN-PLACE (X.XXXXXXX)	F 11		
DATE	DATE	TWELVE-PLACE (X.XXXXXXX)	F 12		
DATE	DATE	THIRTEEN-PLACE (X.XXXXXXX)	F 13		
DATE	DATE	FOURTEEN-PLACE (X.XXXXXXX)	F 14		
DATE	DATE	FIFTEEN-PLACE (X.XXXXXXX)	F 15		
DATE	DATE	SIXTEEN-PLACE (X.XXXXXXX)	F 16		
DATE	DATE	SEVENTEEN-PLACE (X.XXXXXXX)	F 17		
DATE	DATE	EIGHTEEN-PLACE (X.XXXXXXX)	F 18		
DATE	DATE	NINETEEN-PLACE (X.XXXXXXX)	F 19		
DATE	DATE	TWENTY-PLACE (X.XXXXXXX)	F 20		
DATE	DATE	ONE PLACE (X.X)	F 1		
DATE	DATE	TWO PLACE (X.XX)	F 2		
DATE	DATE	THREE PLACE (X.XXX)	F 3		
DATE	DATE	FOUR PLACE (X.XXXX)	F 4		
DATE	DATE	FIVE PLACE (X.XXXXX)	F 5		
DATE	DATE	SIX PLACE (X.XXXXXX)	F 6		
DATE	DATE	SEVEN PLACE (X.XXXXXXX)	F 7		
DATE	DATE	EIGHT PLACE (X.XXXXXXX)	F 8		
DATE	DATE	NINE PLACE (X.XXXXXXX)	F 9		
DATE	DATE	TEN PLACE (X.XXXXXXX)	F 10		
DATE	DATE	ELEVEN PLACE (X.XXXXXXX)	F 11		
DATE	DATE	TWELVE PLACE (X.XXXXXXX)	F 12		
DATE	DATE	THIRTEEN PLACE (X.XXXXXXX)	F 13		
DATE	DATE	FOURTEEN PLACE (X.XXXXXXX)	F 14		
DATE	DATE	FIFTEEN PLACE (X.XXXXXXX)	F 15		
DATE	DATE	SIXTEEN PLACE (X.XXXXXXX)	F 16		
DATE	DATE	SEVENTEEN PLACE (X.XXXXXXX)	F 17		
DATE	DATE	EIGHTEEN PLACE (X.XXXXXXX)	F 18		
DATE	DATE	NINETEEN PLACE (X.XXXXXXX)	F 19		
DATE	DATE	TWENTY PLACE (X.XXXXXXX)	F 20		
DATE	DATE	ONE PLACE (X.X)	F 1		
DATE	DATE	TWO PLACE (X.XX)	F 2		
DATE	DATE	THREE PLACE (X.XXX)	F 3		
DATE	DATE	FOUR PLACE (X.XXXX)	F 4		
DATE	DATE	FIVE PLACE (X.XXXXX)	F 5		
DATE	DATE	SIX PLACE (X.XXXXXX)	F 6		
DATE	DATE	SEVEN PLACE (X.XXXXXXX)	F 7		
DATE	DATE	EIGHT PLACE (X.XXXXXXX)	F 8		
DATE	DATE	NINE PLACE (X.XXXXXXX)	F 9		
DATE	DATE	TEN PLACE (X.XXXXXXX)	F 10		
DATE	DATE	ELEVEN PLACE (X.XXXXXXX)	F 11		
DATE	DATE	TWELVE PLACE (X.XXXXXXX)	F 12		
DATE	DATE	THIRTEEN PLACE (X.XXXXXXX)	F 13		
DATE	DATE	FOURTEEN PLACE (X.XXXXXXX)	F 14		
DATE	DATE	FIFTEEN PLACE (X.XXXXXXX)	F 15		
DATE	DATE	SIXTEEN PLACE (X.XXXXXXX)	F 16		
DATE	DATE	SEVENTEEN PLACE (X.XXXXXXX)	F 17		
DATE	DATE	EIGHTEEN PLACE (X.XXXXXXX)	F 18		
DATE	DATE	NINETEEN PLACE (X.XXXXXXX)	F 19		
DATE	DATE	TWENTY PLACE (X.XXXXXXX)	F 20		
DATE	DATE	ONE PLACE (X.X)	F 1		
DATE	DATE	TWO PLACE (X.XX)	F 2		
DATE	DATE	THREE PLACE (X.XXX)	F 3		
DATE	DATE	FOUR PLACE (X.XXXX)	F 4		
DATE	DATE	FIVE PLACE (X.XXXXX)	F 5		
DATE	DATE	SIX PLACE (X.XXXXXX)	F 6		
DATE	DATE	SEVEN PLACE (X.XXXXXXX)	F 7		
DATE	DATE	EIGHT PLACE (X.XXXXXXX)	F 8		
DATE	DATE	NINE PLACE (X.XXXXXXX)	F 9		
DATE	DATE	TEN PLACE (X.XXXXXXX)	F 10		
DATE	DATE	ELEVEN PLACE (X.XXXXXXX)	F 11		
DATE	DATE	TWELVE PLACE (X.XXXXXXX)	F 12		
DATE	DATE	THIRTEEN PLACE (X.XXXXXXX)	F 13		
DATE	DATE	FOURTEEN PLACE (X.XXXXXXX)	F 14		
DATE	DATE	FIFTEEN PLACE (X.XXXXXXX)	F 15		
DATE	DATE	SIXTEEN PLACE (X.XXXXXXX)	F 16		
DATE	DATE	SEVENTEEN PLACE (X.XXXXXXX)	F 17		
DATE	DATE	EIGHTEEN PLACE (X.XXXXXXX)	F 18		
DATE	DATE	NINETEEN PLACE (X.XXXXXXX)	F 19		
DATE	DATE	TWENTY PLACE (X.XXXXXXX)	F 20		



VIEW D-D



- NOTES:
- 1. PLASTIC FITTINGS TO BE SEALED WITH SEALANT 84456-01-000.
 - 2. TUBING TO BE INSTALLED WITH SUFFICIENT SLOPE TO PROVIDE DRAINAGE TO NEAREST VALVE.
 - 3. ALL TUBING TO BE SECURED AT 1200 INTERVALS MAXIMUM WITH CLAMP 10495-01-000 OR CLIP 91951-01-000 AND SCREW G67-10-12B.

△ NOT REQUIRED WITH EXTERIOR SHOWER.

- 64R EXTERIOR WASH STATION
- 1A7 SHOWER PACKAGE-WITHOUT
- 140 SHOWER PACKAGE

FOR WATER CALLOUTS SEE DWG NO. 116230-01-000

LEGEND	
HOT	-----
COLD	*****

WINNEBAGO 00 22200

DATE	UNDESIGNED TOLERANCES ARE:	MATERIAL
DATE	WHOLE DIM (IN)	F
DATE	ONE-PLACE (IN.XI)	.
DATE	TWO-PLACE (IN.XXI)	..
DATE	THREE-PLACE (IN.XXX)	...
DATE	ANGLE	
DATE	THIRD ANGLE PRACTICE	

LANE# 22200 TITLE WATER SYSTEM INSTL
 DIA # SCALE NOTE 1:16 NO SCALE REQUIRED
 ALL DIMENSIONS ARE IN MILLIMETERS SHEET 1 OF 2 1:16 NO 133334

