

6. FOR CAN UNITS EACH HOLDING TANK SHALL HAVE A CSA APPROVAL STAMPED NEAR THE IAMPO APPROVAL.
5. EXPOSED PIPE ABOVE ROOF TO BE PAINTED 37163-01-000.
4. ALL EXTERIOR OPENINGS AROUND PIPE TO BE SEALED WITH 69637-01-000.
3. ALL PIPE AND FITTINGS TO BE ASSEMBLED WITH SOLVENT 4020-01-000.
2. SLOPE OF TRAP ARM MUST BE 6 PER 305.
1. SLOPE OF HORIZONTAL PIPING TO BE 6 PER 305 MIN.

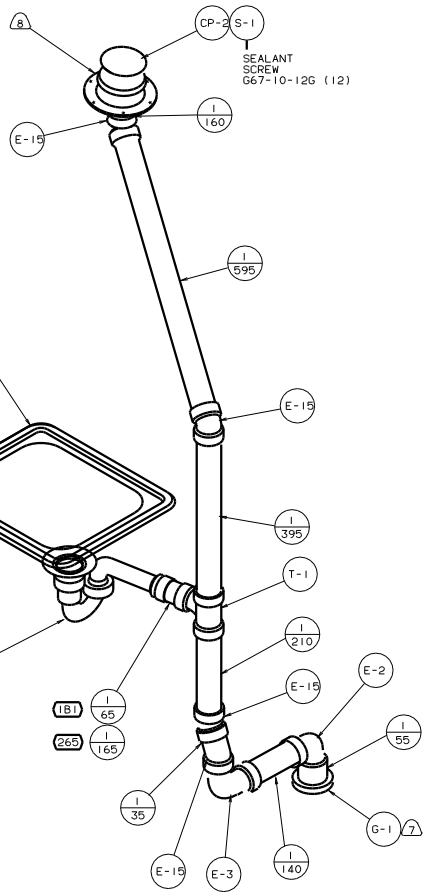
10. PLACE GASKET BETWEEN FLOOR AND BOTTOM OF TANK.
9. SECURE PIPES TO CABINET USING WIRE TIE 108046-02-000 AND SCREW 667-10-12U (8).
8. VENT PIPE MUST PROJECT 51 MIN AND 63.5 MAX ABOVE ROOF FOR PROPER FIT AND FUNCTION.
7. SEE DWG 61607-01-000 FOR INSTALLATION OF GROMMET.

- (265) CODES/STANDARDS-CSA/CMVSS
- (IB1) CODES STANDARDS/USA
- (IA7) SHOWER PACKAGE-WITHOUT
- (140) SHOWER PACKAGE

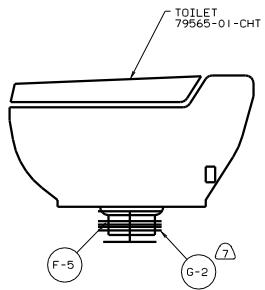
X-X
 FOR DRAINAGE CALLOUTS SEE DWG NO. 116229-01-000

WINNEBAGO		01 222HD
OP TR	DATE	UNSPECIFIED TOLERANCES ARE:
CHP	DATE	WHOLE DIM (X) .0
PIE	DATE	ONE-PLACE (X.X) .1
D/E	DATE	TWO-PLACE (X.XX) .05
CDR	DATE	THREE-PLACE (X.XXX) .005
DRW NO.	222HD	TITLE: DRAINAGE SYSTEM INSTL
REV #	SCALE	NOTE
ALL DIMENSIONS ARE IN MILLIMETERS	SHEET 1 OF 3	FIG NO 135954

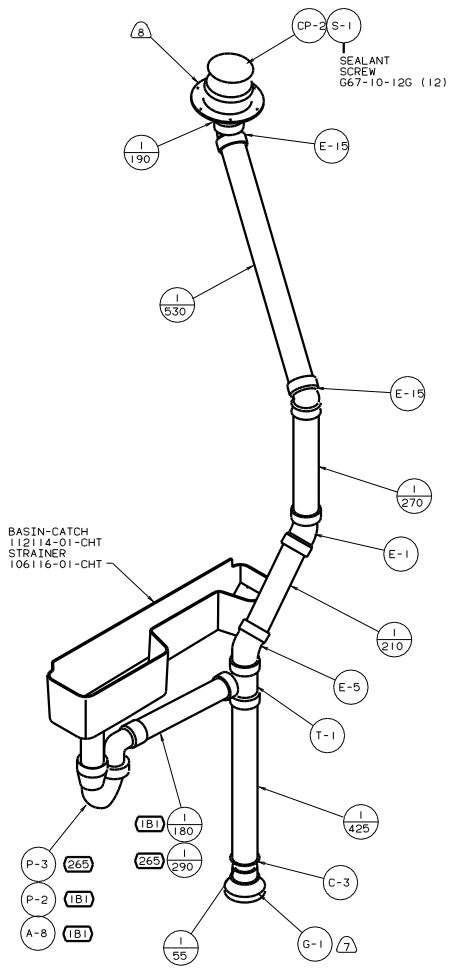
SINK
 11029-03-000
 STRAINER
 66437-02-000
 SEALER
 69640-03-000
 TAILPIECE
 11069-03-000
 ANGLE
 107659-01-000(12)
 SCREW
 667-10-16B(8)



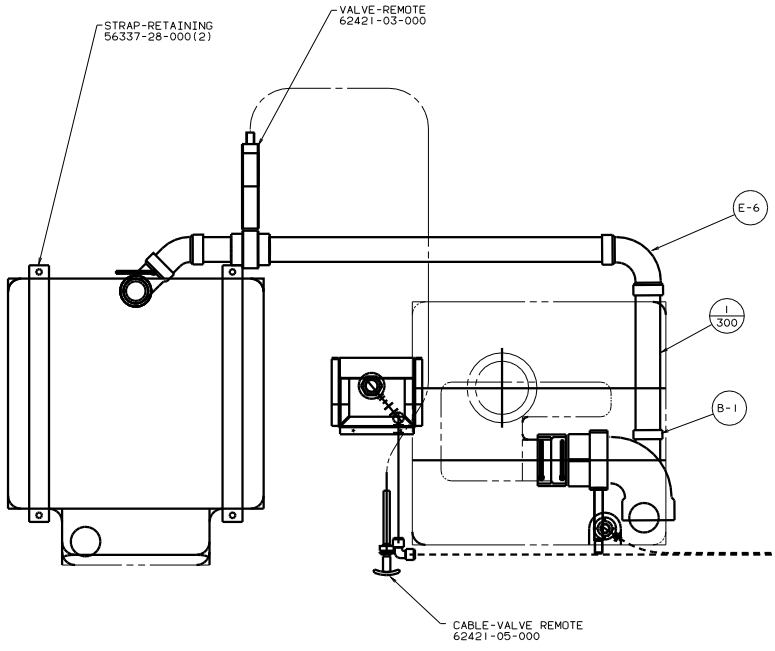
DETAIL A



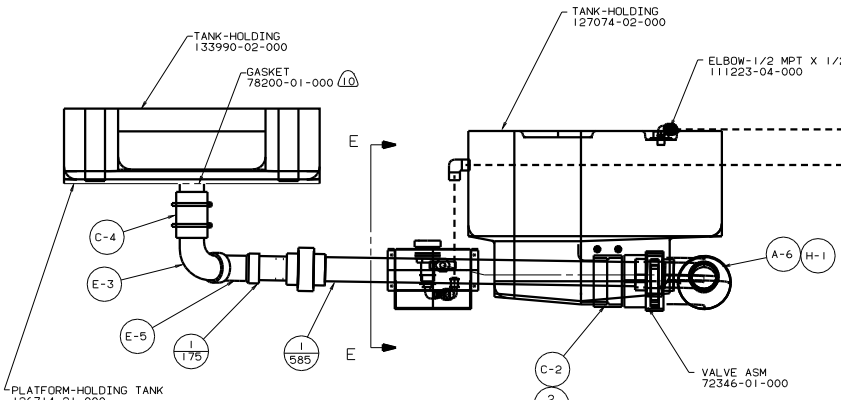
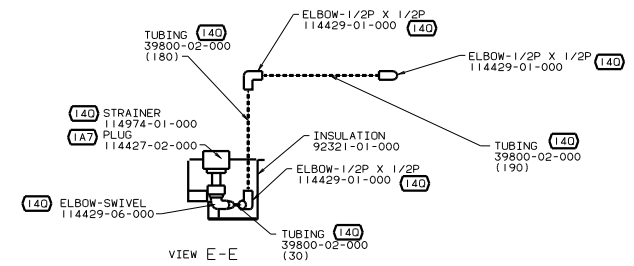
DETAIL B



DETAIL C



VIEW D-D



VIEW F-F

