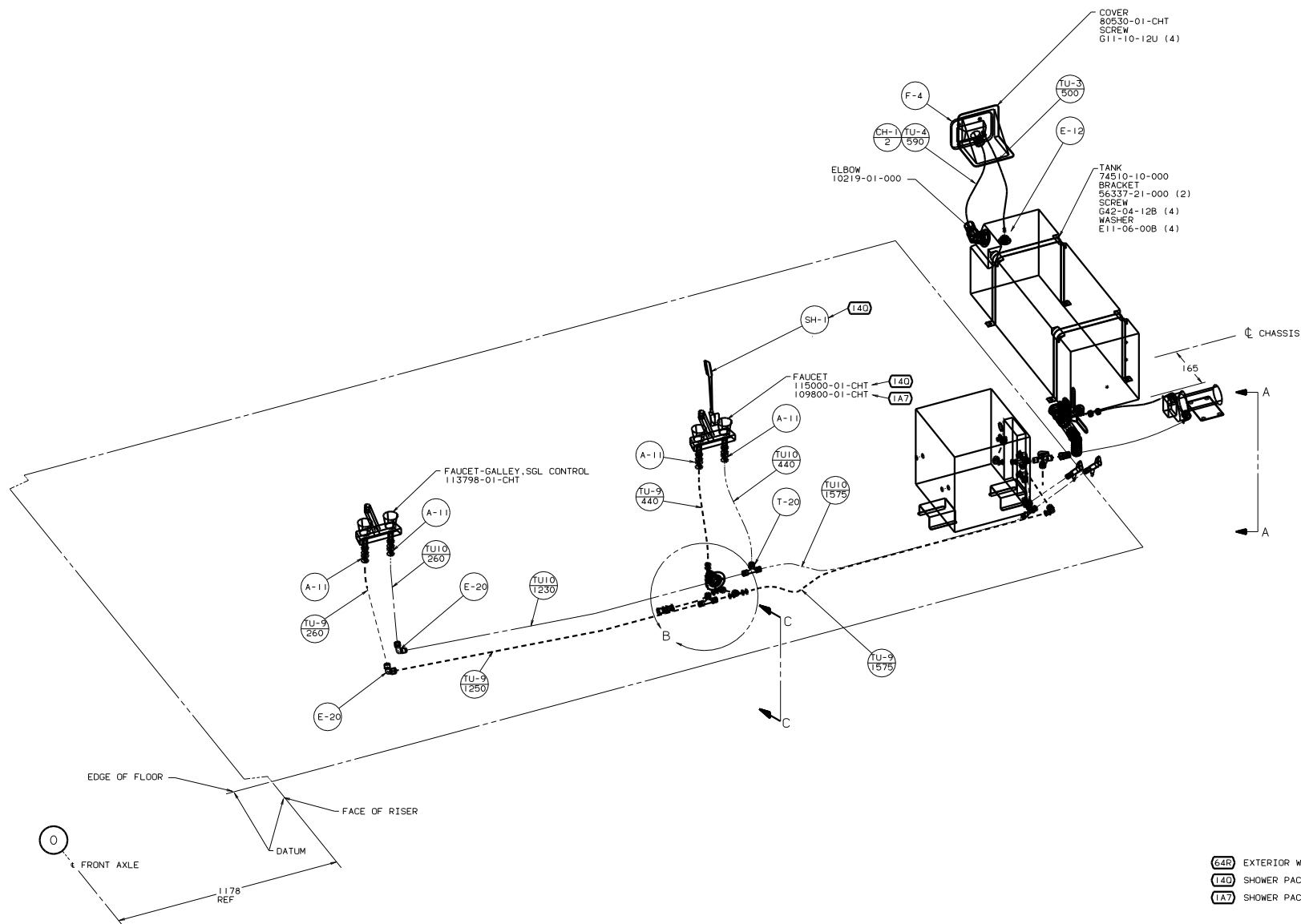


VIEW A-A

VIEW B-B



- 64R EXTERIOR WASH STATION
- 140 SHOWER PACKAGE
- 1A7 SHOWER PACKAGE-WITHOUT

X-X
 FOR
 WATER
 CALLOUTS
 SEE DWG NO.
 116230-01-000

3. ALL TUBING TO BE SECURED AT 1200 INTERVALS MAXIMUM WITH CLAMP 10495-01-000 OR CLIP 91951-01-000 AND SCREW G67-10-12B.
2. TUBING TO BE INSTALLED WITH SUFFICIENT SLOPE TO PROVIDE DRAINAGE TO NEAREST VALVE.
1. PLASTIC FITTINGS TO BE SEALED WITH SEALANT 84456-01-000

LEGEND		WINNEBAGO		00 222FD
HOT	-----	DATE	UNSPECIFIED TOLERANCES ARE:	MATERIAL
COLD	*****	DATE	WHOLE DIM (IN)	F
		DATE	ONE-PLACE (IN.X1)	.
		DATE	TWO-PLACE (IN.XX)	..
		DATE	THREE-PLACE (IN.XXX)	...
		DATE	THIRD ANGLE PROJECTION	
DRW	DATE	DATE	DATE	DATE
REV	SCALE	NOTE	NO. REV	SCALE
SHEET 1 OF 2		REF: 119075 P I		133333

