



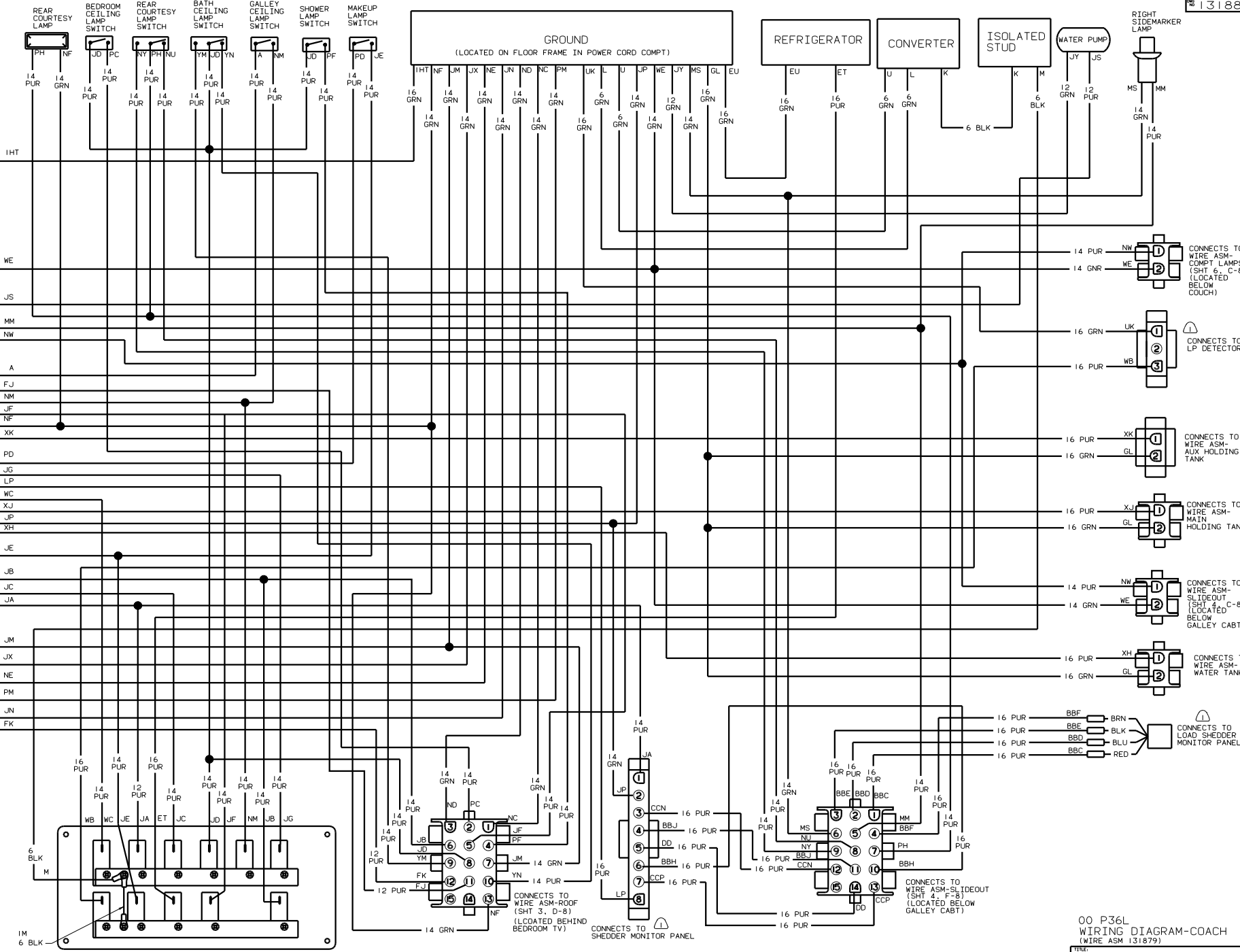
DANGER

Danger of electrical shock, burns or death. Always remove all power sources before attempting any repair, service or diagnostic work. Power can be present from shore power, generator, inverter or battery. All power sources must be disabled and secured before performing any service.



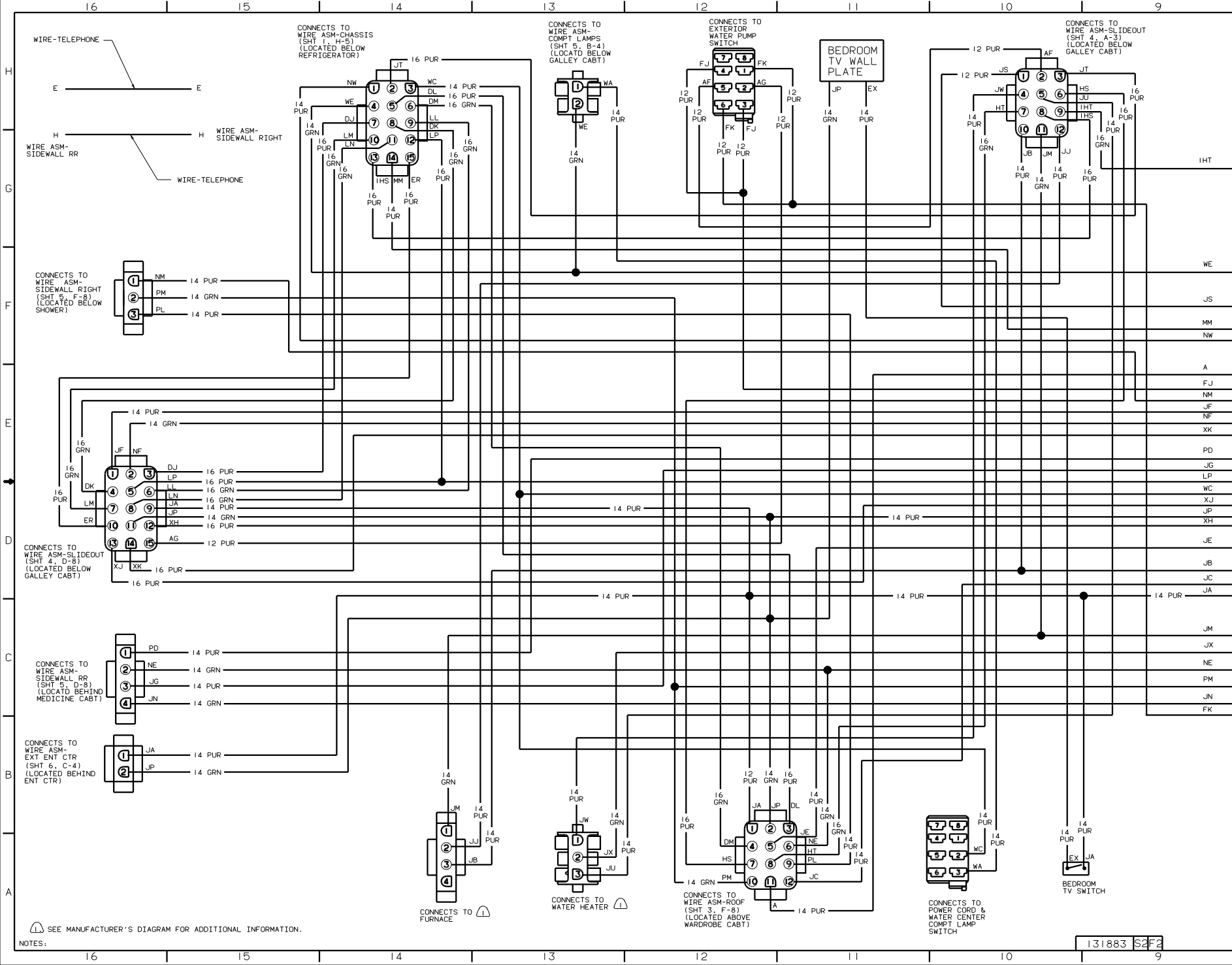
CAUTION

If you lack the skills, tools or equipment to perform diagnostic or repair work leave such work to an authorized Winnebago Industries dealer or other qualified shop.

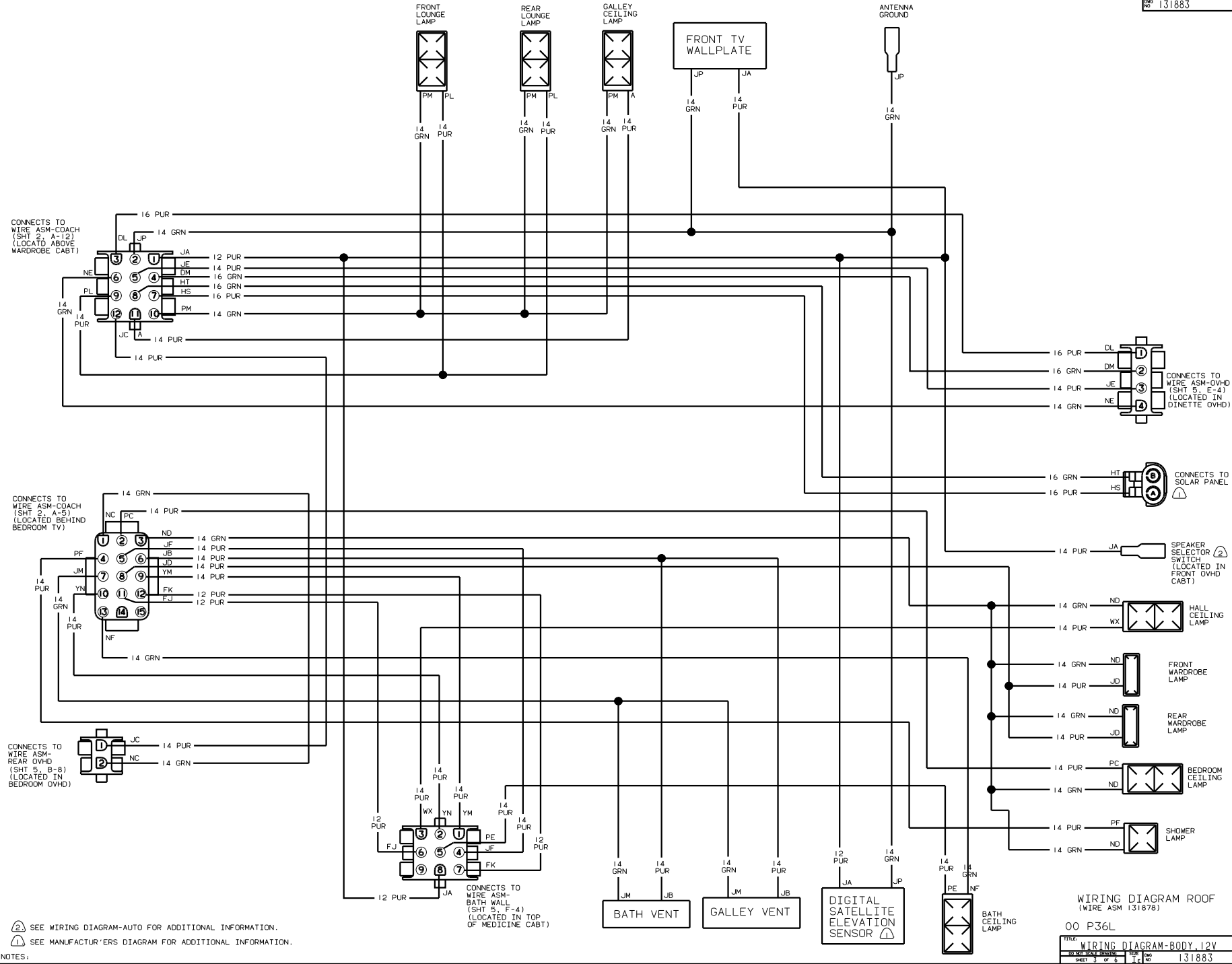


00 P36L
 WIRING DIAGRAM-COACH
 (WIRE ASM 131879)

WIRING DIAGRAM-BODY.12V
 SHEET 2 OF 6



NOTES: SEE MANUFACTURER'S DIAGRAM FOR ADDITIONAL INFORMATION.

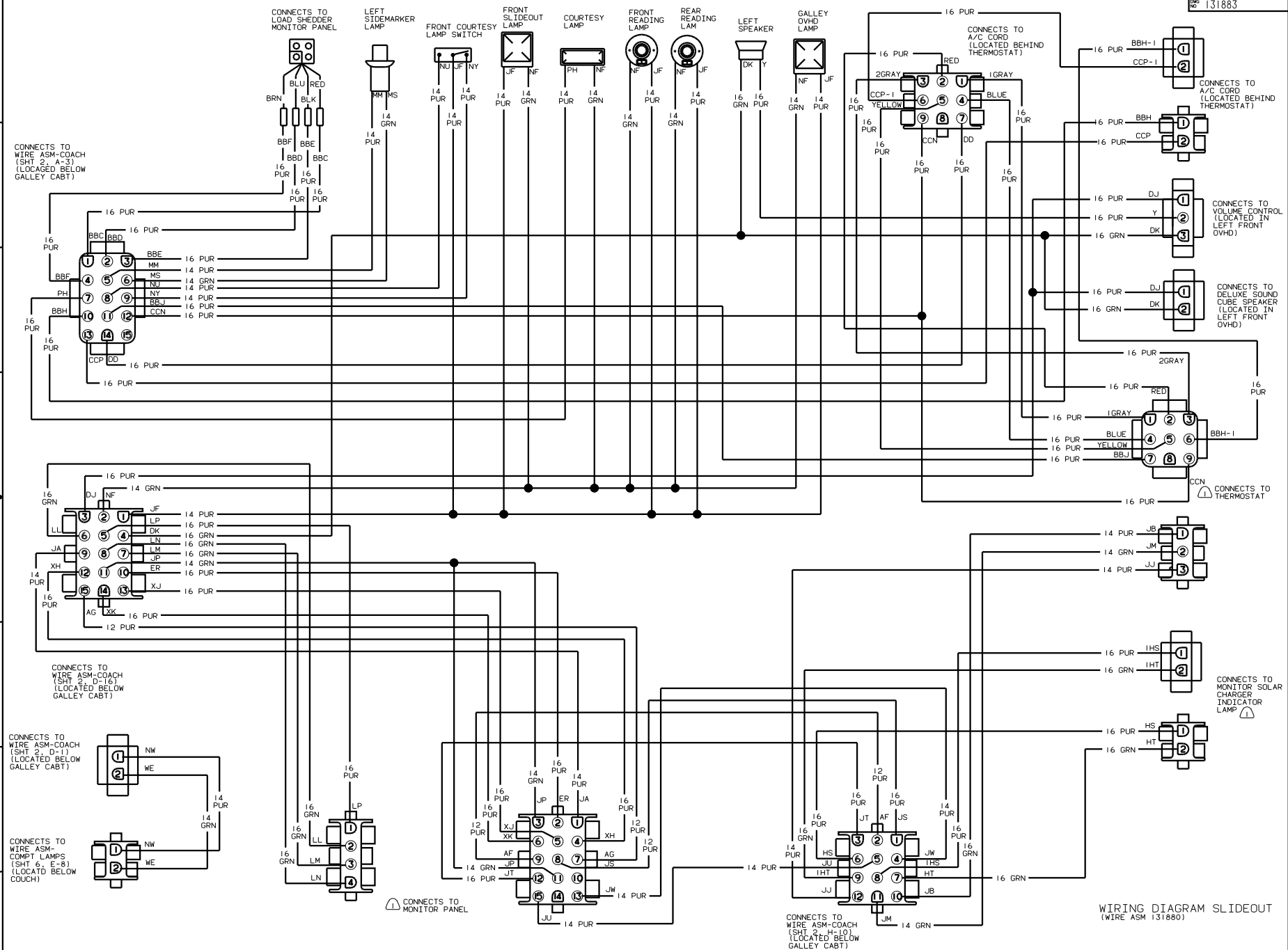


NOTES:
 (2) SEE WIRING DIAGRAM-AUTO FOR ADDITIONAL INFORMATION.
 (1) SEE MANUFACTURER'S DIAGRAM FOR ADDITIONAL INFORMATION.

WIRING DIAGRAM ROOF
 (WIRE ASM 131878)

00 P36L

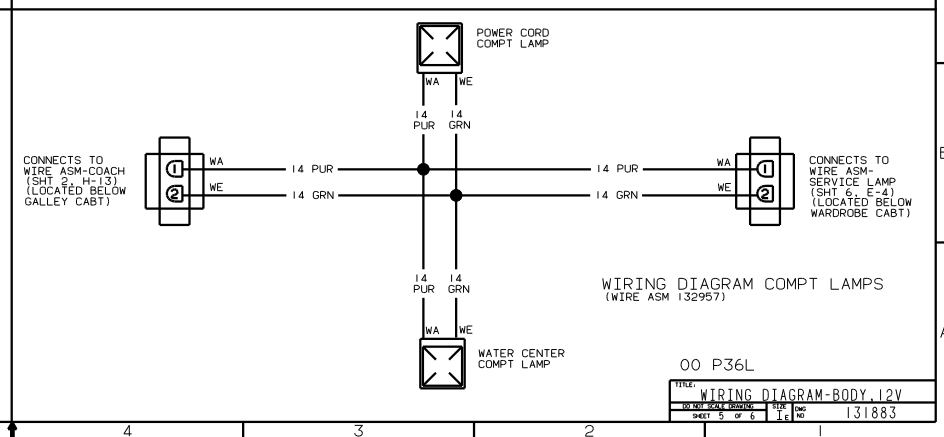
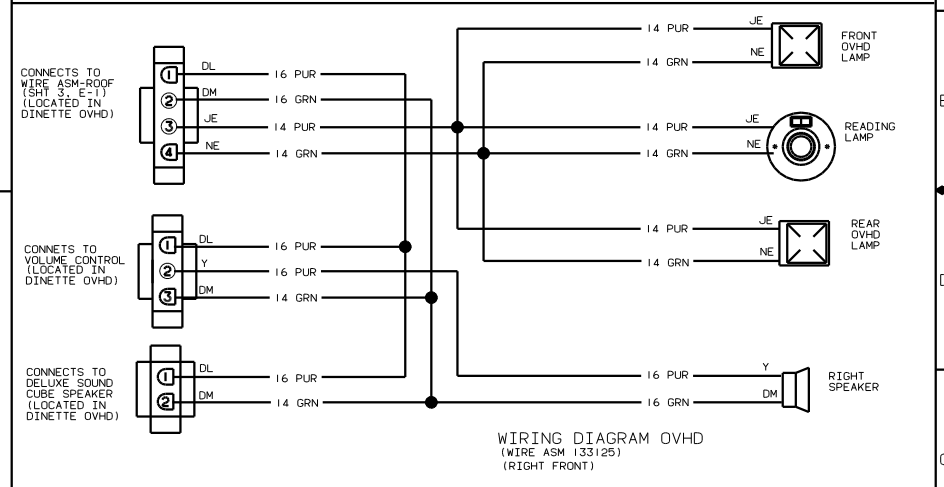
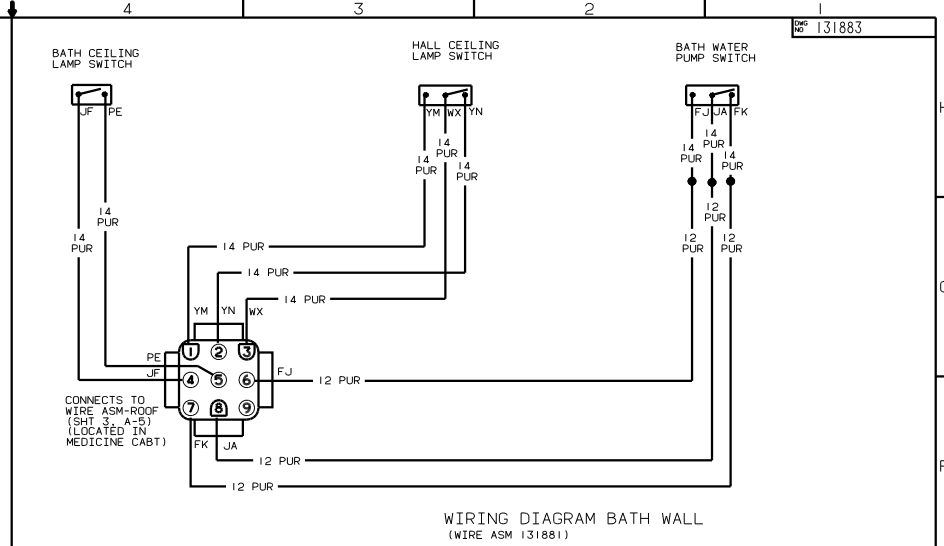
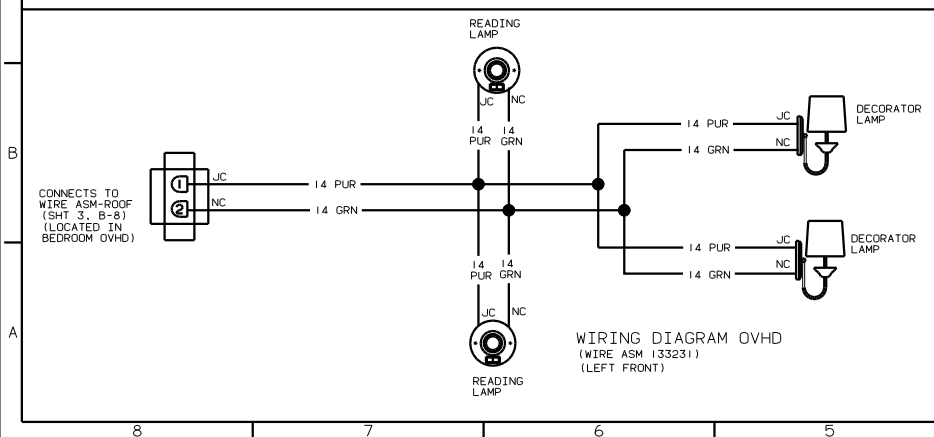
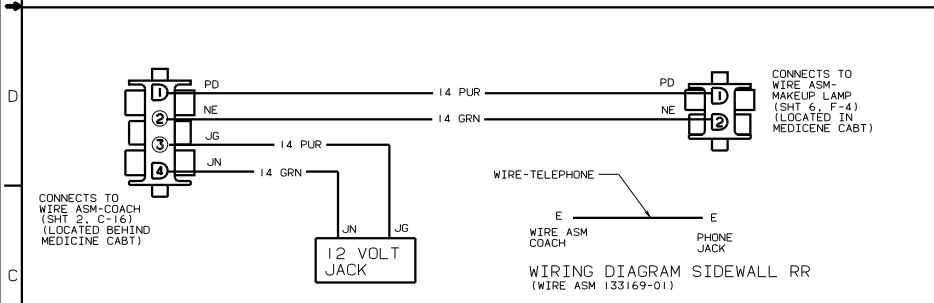
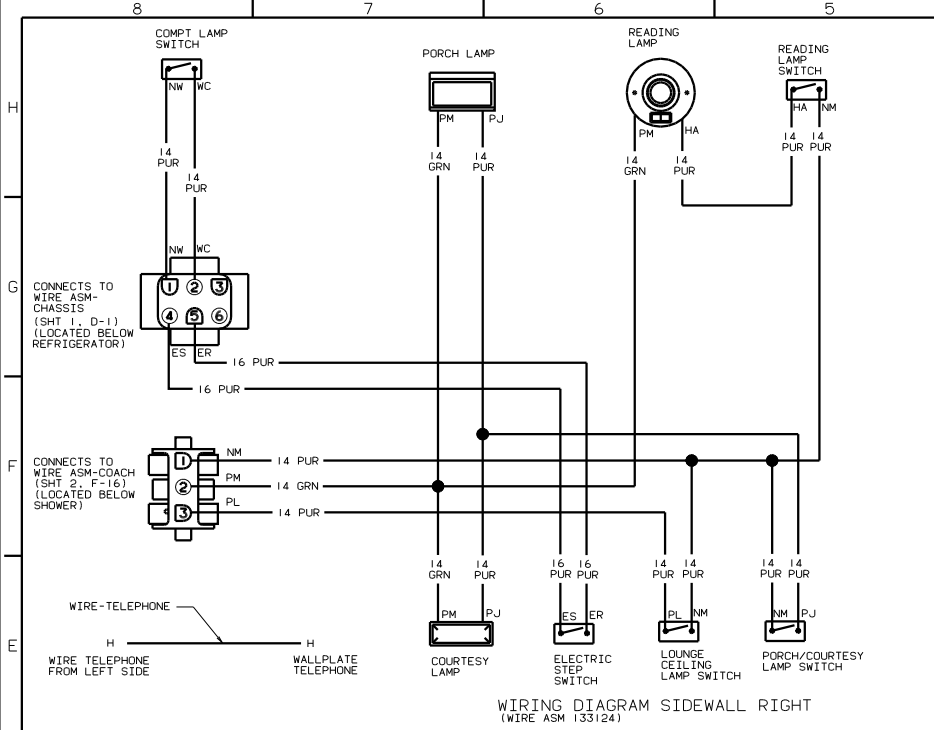
TITLE:	WIRING DIAGRAM-BODY_12V
DATE:	11/16/00
BY:	J.E.
NO. OF SHEETS:	3 OF 6
DWG. NO.:	131883

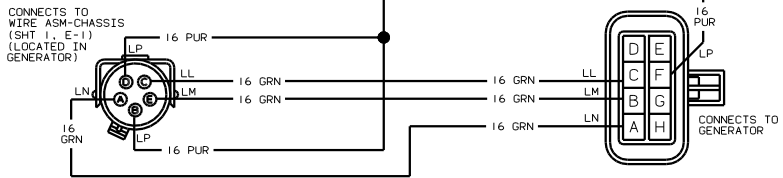


WIRING DIAGRAM SLIDEOUT (WIRE ASM 131880)

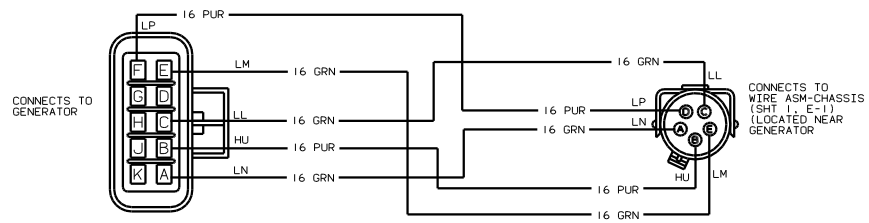
00 P36L	
TITLE	WIRING DIAGRAM-BODY 12V
NO. OF SHEETS	16
SHEET	4 OF 6
DATE	131883

NOTES: (1) SEE MANUFACTURER'S DIAGRAM FOR ADDITIONAL INFORMATION.

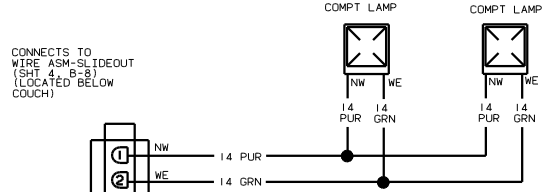




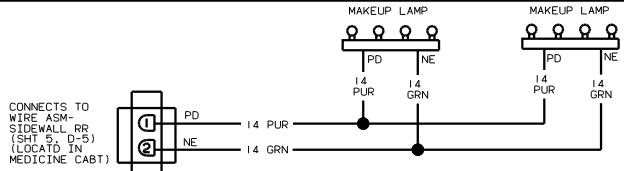
WIRING DIAGRAM GEN ADAPTER.LP
(WIRE ASM 130332-01)



WIRING DIAGRAM ADAPTER.DIESEL
(WIRE ASM 130332-02)



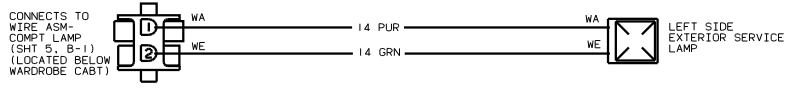
WIRING DIAGRAM COMPT LAMP
(WIRE ASM 125266-09)



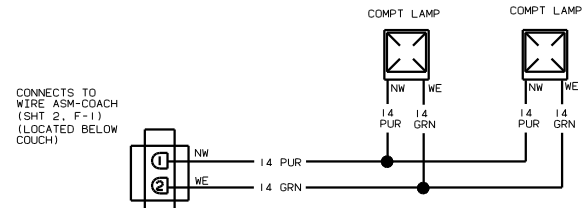
WIRING DIAGRAM MAKEUP LAMP
(WIRE ASM 125266-08)



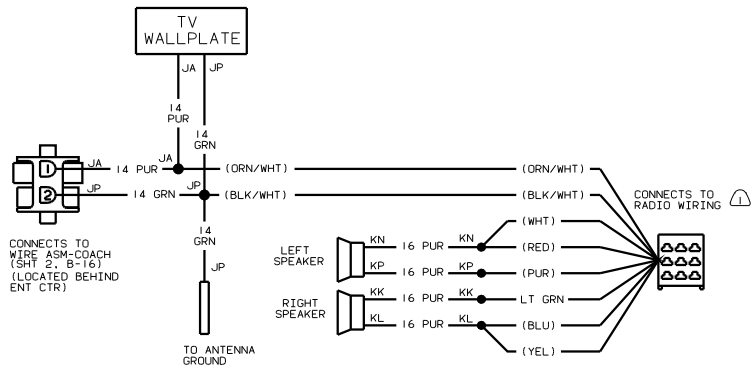
WIRING DIAGRAM SIDE MARKER LAMP
(WIRE ASM 133110)



WIRING DIAGRAM SERVICE LAMP
(WIRE ASM 077093-12)



WIRING DIAGRAM COMPT LAMP
(WIRE ASM 125266-07)



WIRING DIAGRAM-EXT ENT CTR
(WIRE ASM 125853-01)
(WITH EXTERIOR ENTERTAINMENT CENTER)

SEE WIRING DIAGRAM AUTO FOR ADDITIONAL INFORMATION.