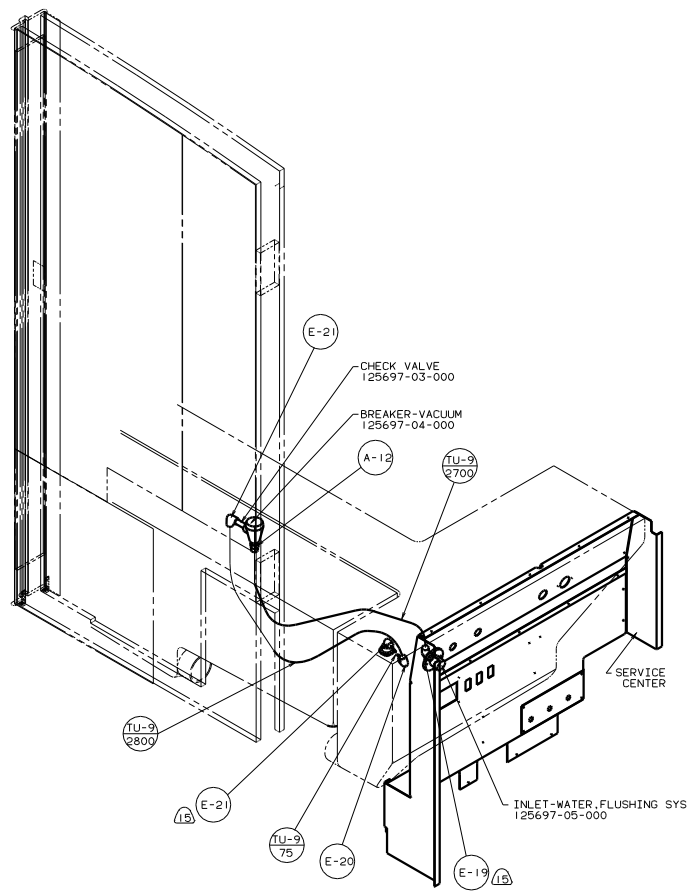


DETAIL A



DETAIL B  
FLUSHING SYSTEM

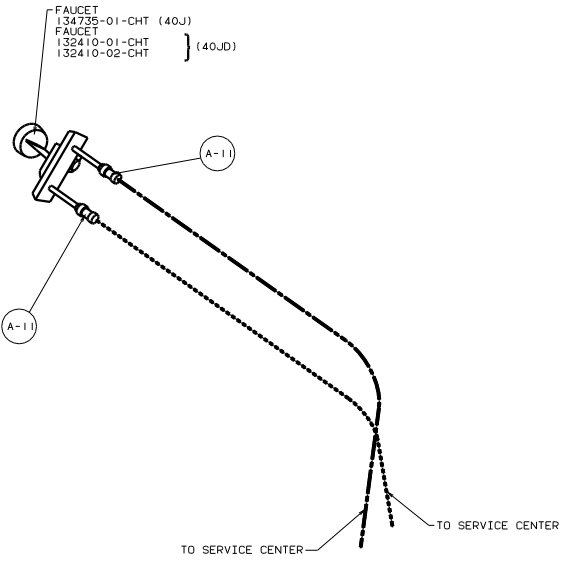
99 Q40J/JD

TITLE		WATER SYSTEM INSTL	
NO	SCALE	REV	DATE
2		1	
SHEET 2 OF 7		129971	

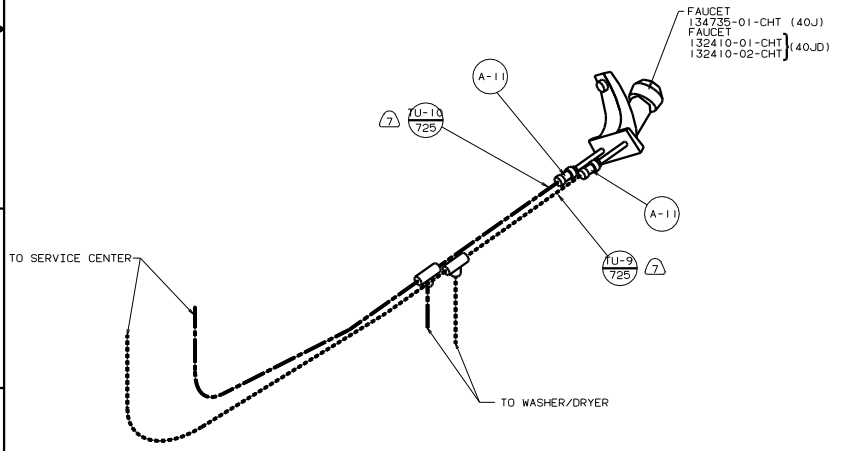




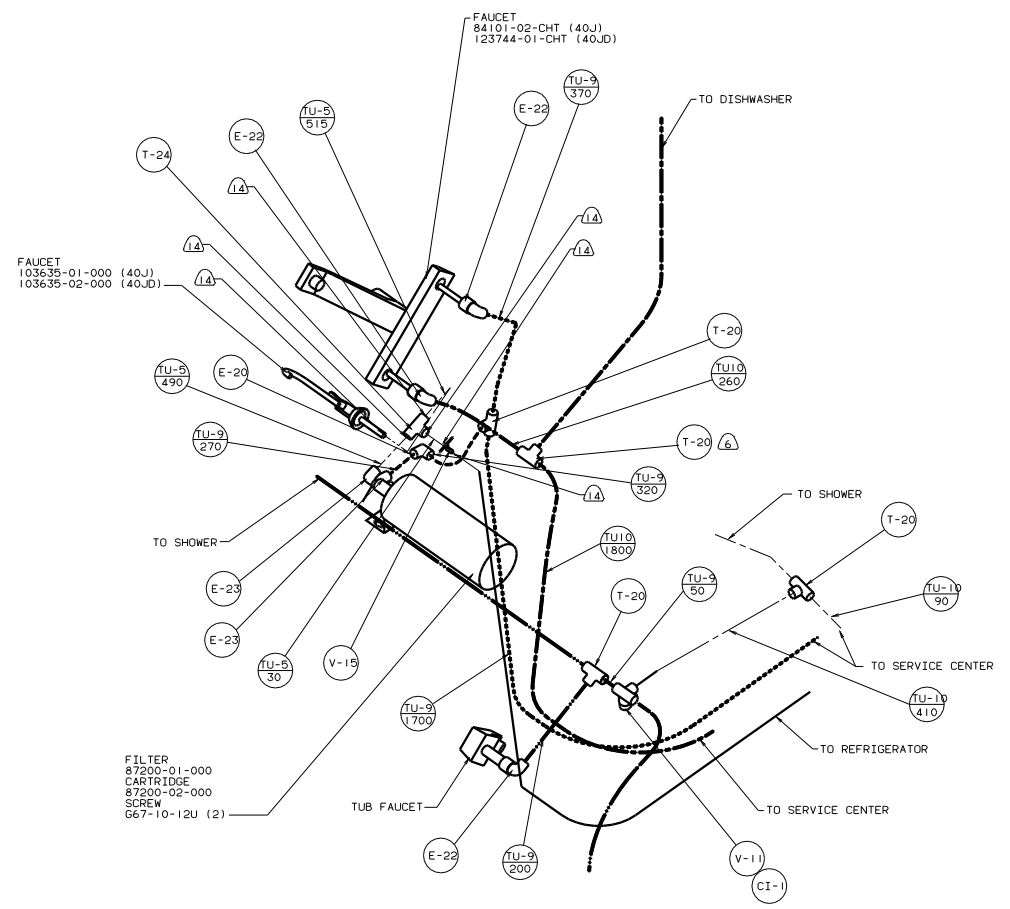




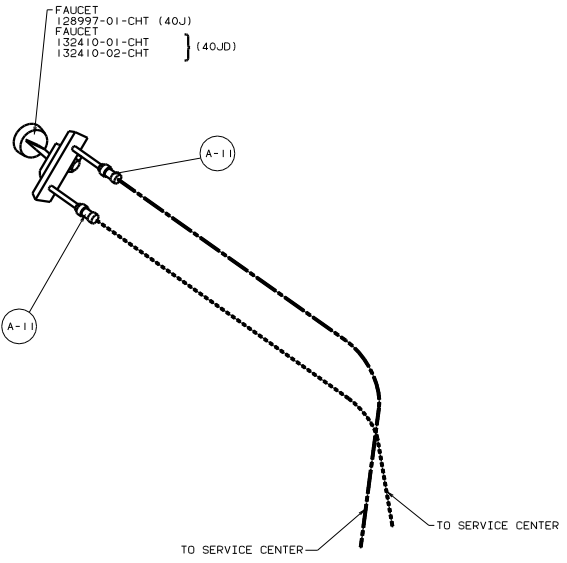
DETAIL H



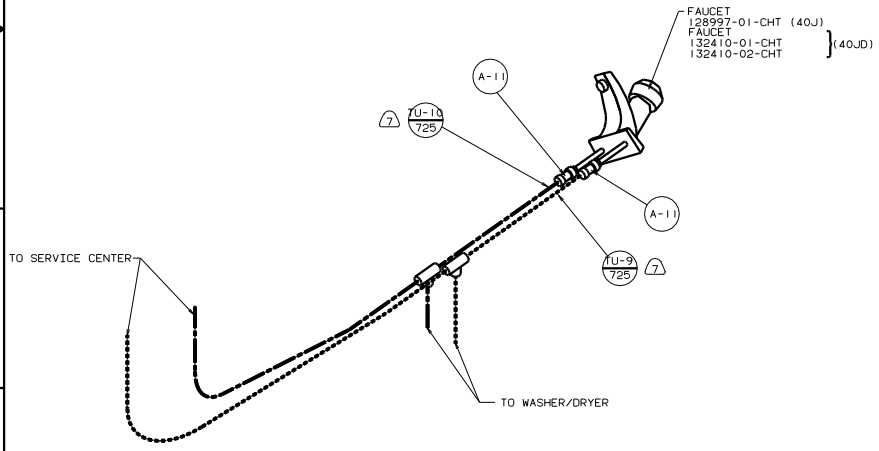
DETAIL J



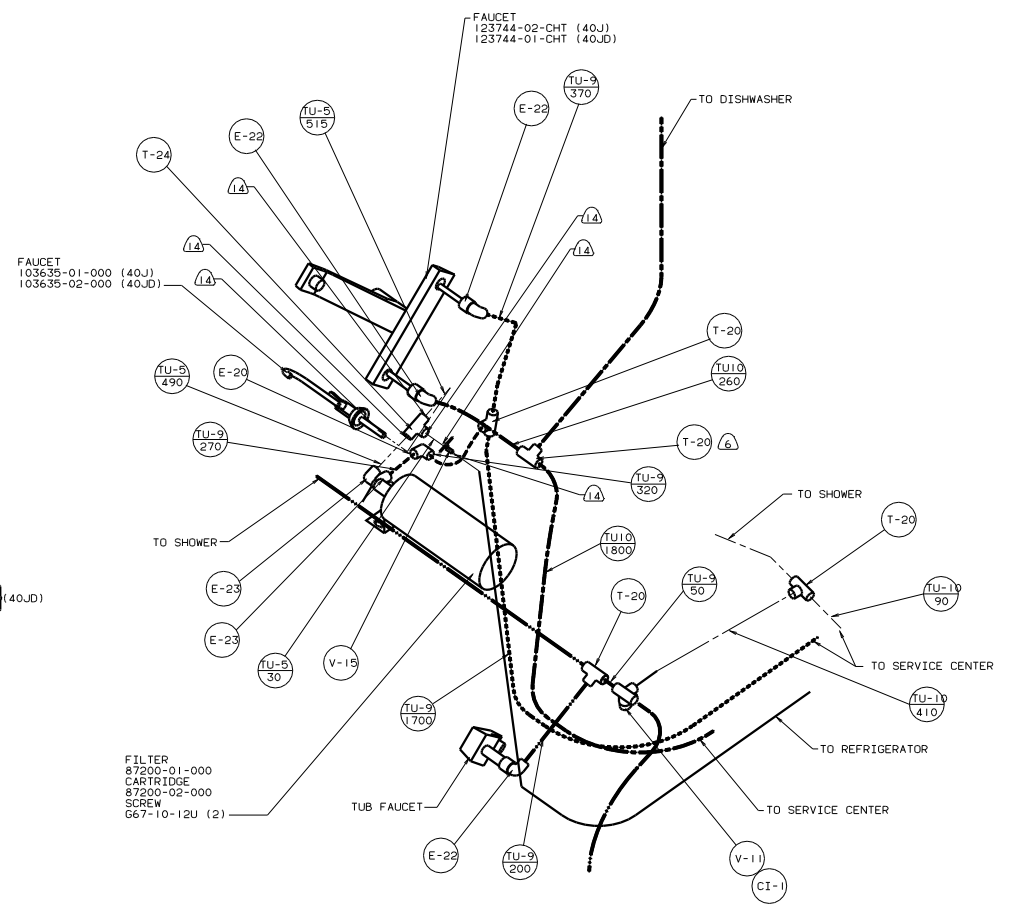
DETAIL K



DETAIL H



DETAIL J



DETAIL K