

- ⚠ VALVE TERMINATION TEE TO BE POSITIONED AT 45° DOWN AND OUTBOARD.
- ✂ TRIM TO FIT.
- 🔧 SECURE VENT TUBES TO FLOOR WITH BRACKET.
- 8. VENT PIPE MUST PROJECT 51 MIN AND 63.5 MAX ABOVE ROOF FOR PROPER FIT AND FUNCTION.
- 7. SEE DWG 61607-01-000 FOR INSTL OF GROMMETS.
- 6. SEAL ALL AROUND SHOWER WITH SILICONE.
- 5. FOR CANADIAN UNITS EACH HOLDING TANK SHALL HAVE A CSA APPROVAL STAMPED NEAR THE TAMPO APPROVAL.
- 4. ALL EXTERIOR OPENINGS AROUND PIPE TO BE SEALED WITH 110744-01-000.
- 3. ALL PIPE AND FITTINGS TO BE ASSEMBLED WITH SOLVENT 4020-01-000.
- 2. SLOPE OF TRAP ARM MUST BE 6 PER 305.
- 1. SLOPE OF HORIZONTAL PIPING TO BE 6 PER 305 MIN.

- (21M) WASHER/DRYER PREP
- (54E) WASHER/DRYER
- (430) TOILET-PORCELAIN
- (265) CODES/STANDARDS-CSA/CMVSS
- (21T) WASHER/DRYER-WITHOUT
- (1B1) CODES/STANDARDS USA

(X-X) FOR DRAINAGE CALLOUTS SEE DWG NO. 116229-01-000

WINNEBAGO		00 P36LD
QTY	DATE	UNSPECIFIED TOLERANCES ARE:
CHP	DATE	WELD DIM (IN) .1
PIE	DATE	ONE-PLACE (IN.XI) .1
PLC	DATE	TWO-PLACE (IN.XXX) .01
COLR	DATE	THIRD-PLACE (IN.XXXX) .001
LAYOUT PGEN		TITLE: DRAINAGE SYSTEM INSTL
REV #	SCALE	NOTE
ALL DIMENSIONS ARE IN MILLIMETERS	SHEET 1 OF 4	FIG NO 133490

PIPE FLEX  
126426-01-000  
(1120)  
PRIMER  
126427-02-000  
CEMENT  
126427-01-000

9 CLAMP  
62401-05-000  
BRACKET-PIPE, VENT  
95061-01-000

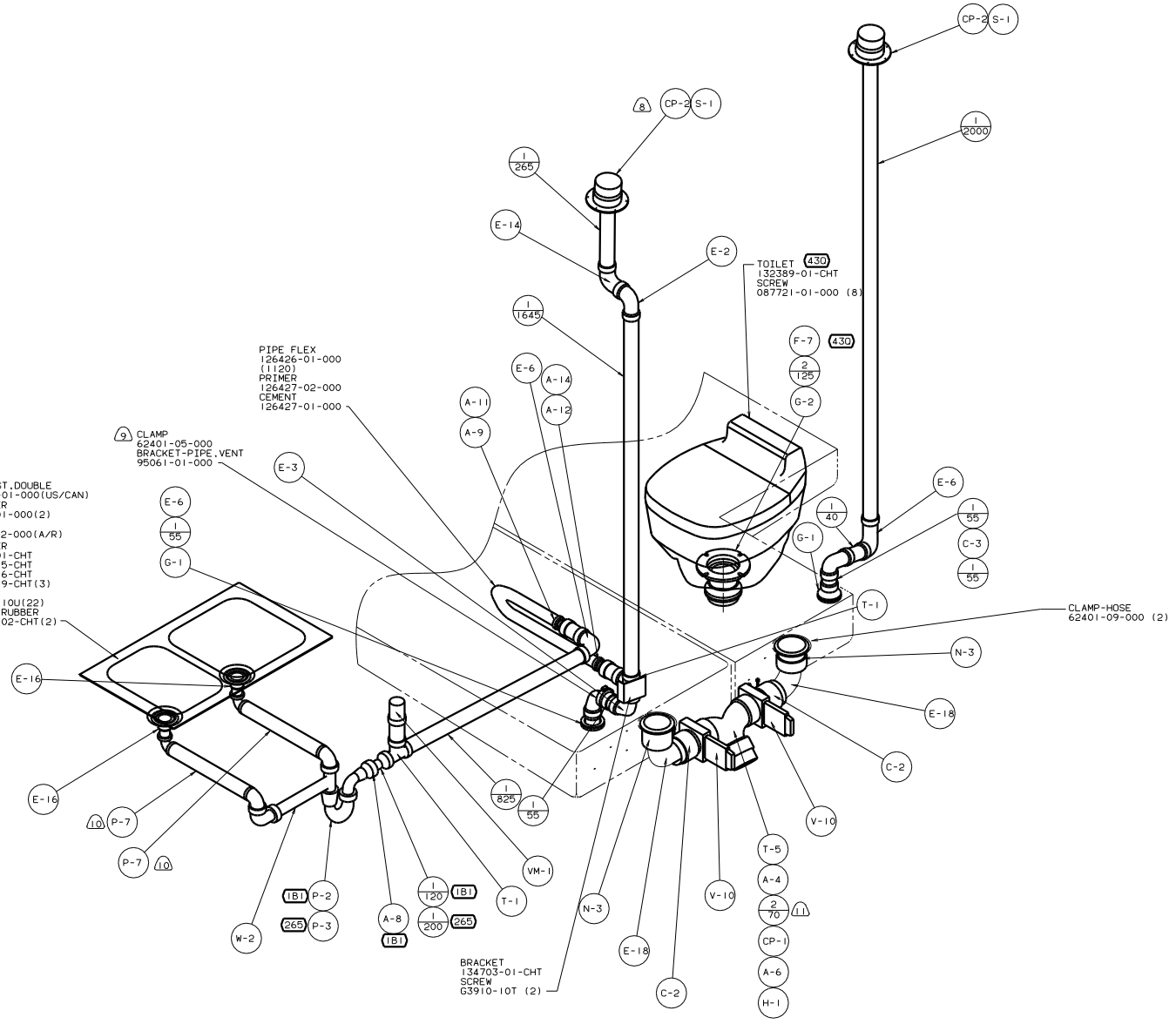
SINK, SST, DOUBLE  
110654-01-000 (US/CAN)  
STRAINER  
92303-01-000 (2)  
SEAL  
91255-02-000 (A/R)  
RETAINER  
81828-01-CHT  
83699-15-CHT  
83699-16-CHT  
83699-19-CHT (3)  
SCREW  
G67-06-10U (22)  
WASHER-RUBBER  
127440-02-CHT (2)

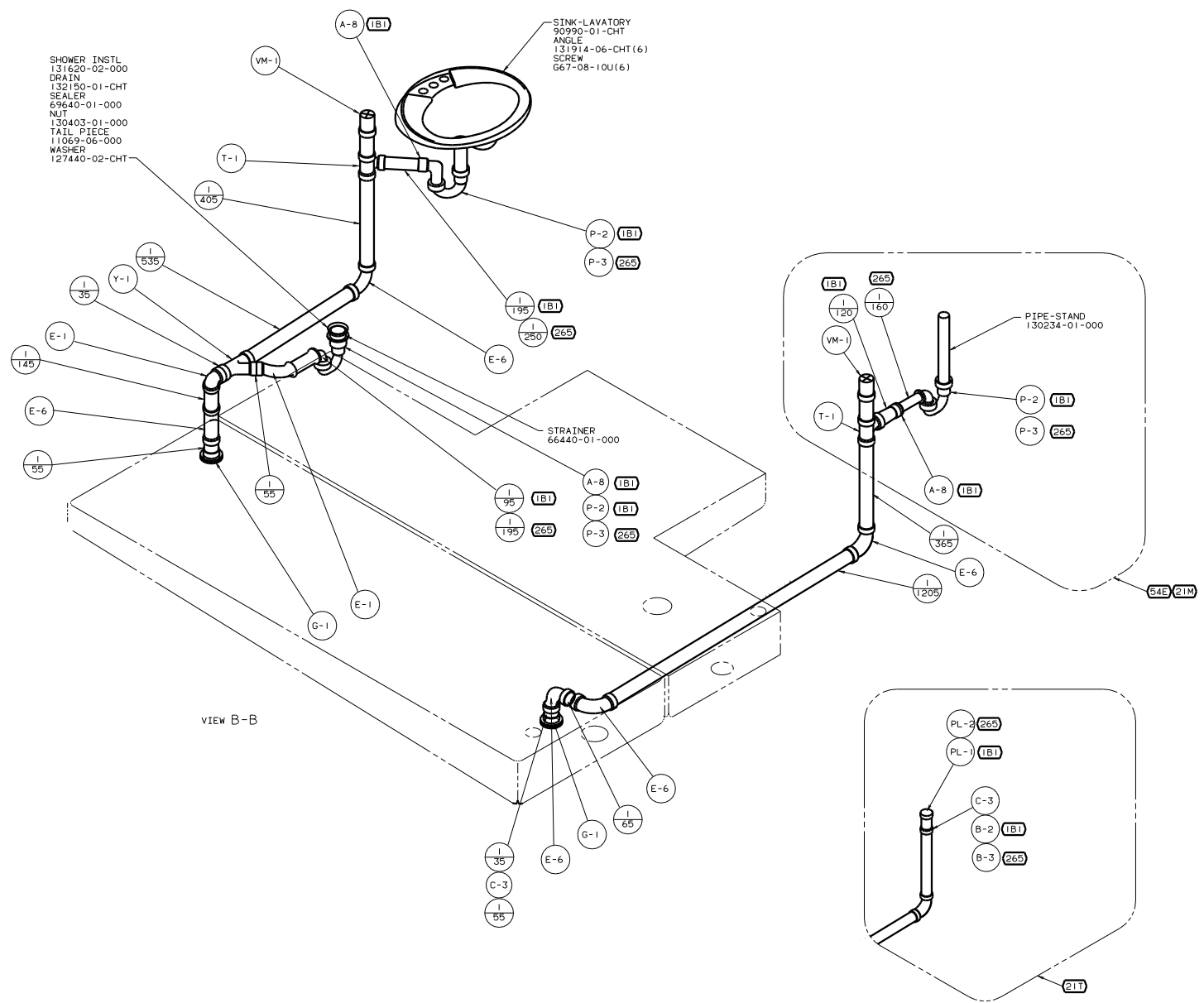
TOILET 430  
132389-01-CHT  
SCREW  
087721-01-000 (8)

CLAMP-HOSE  
62401-09-000 (2)

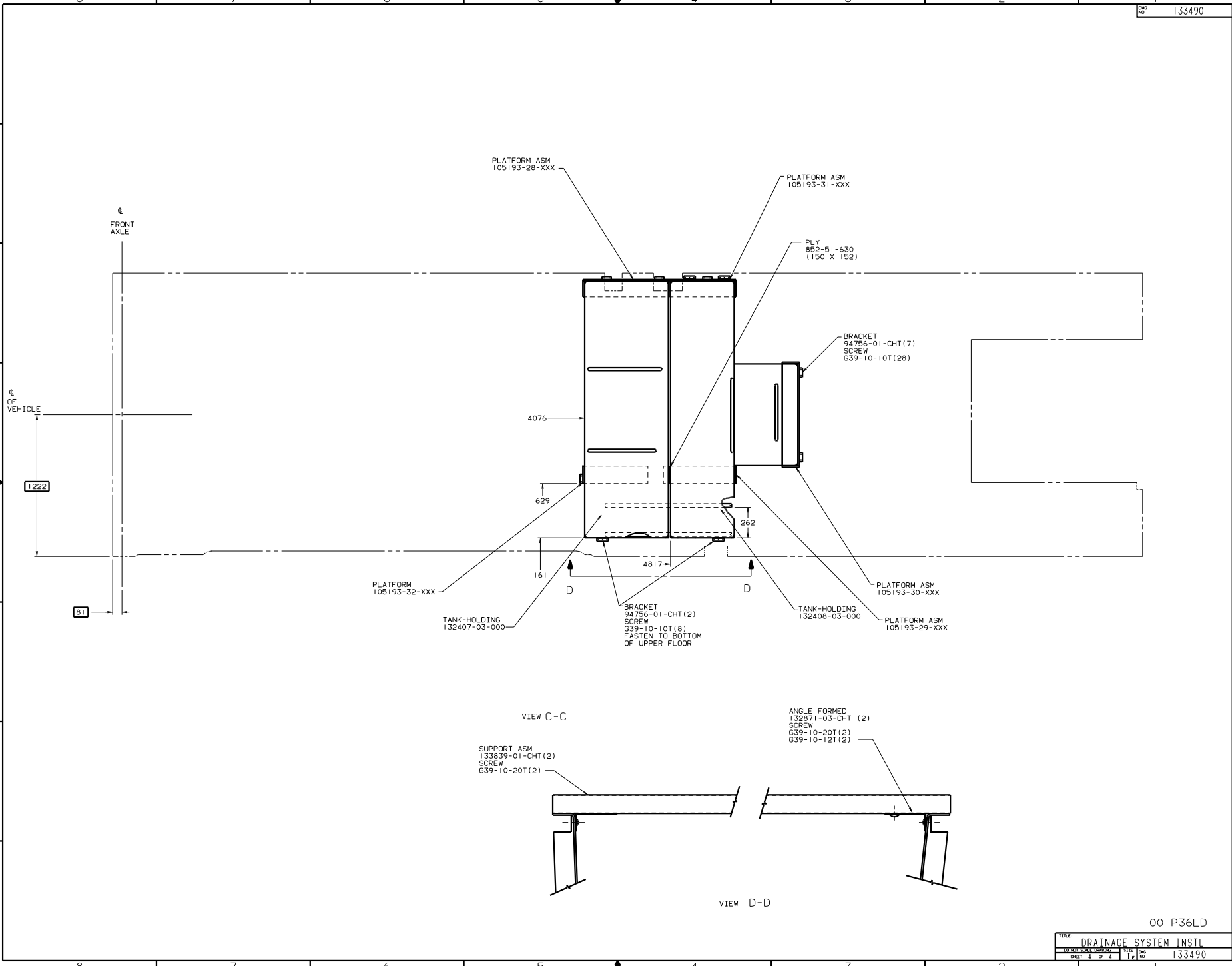
BRACKET  
134703-01-CHT  
SCREW  
G3910-10T (2)

VIEW A-A





00 P36LD

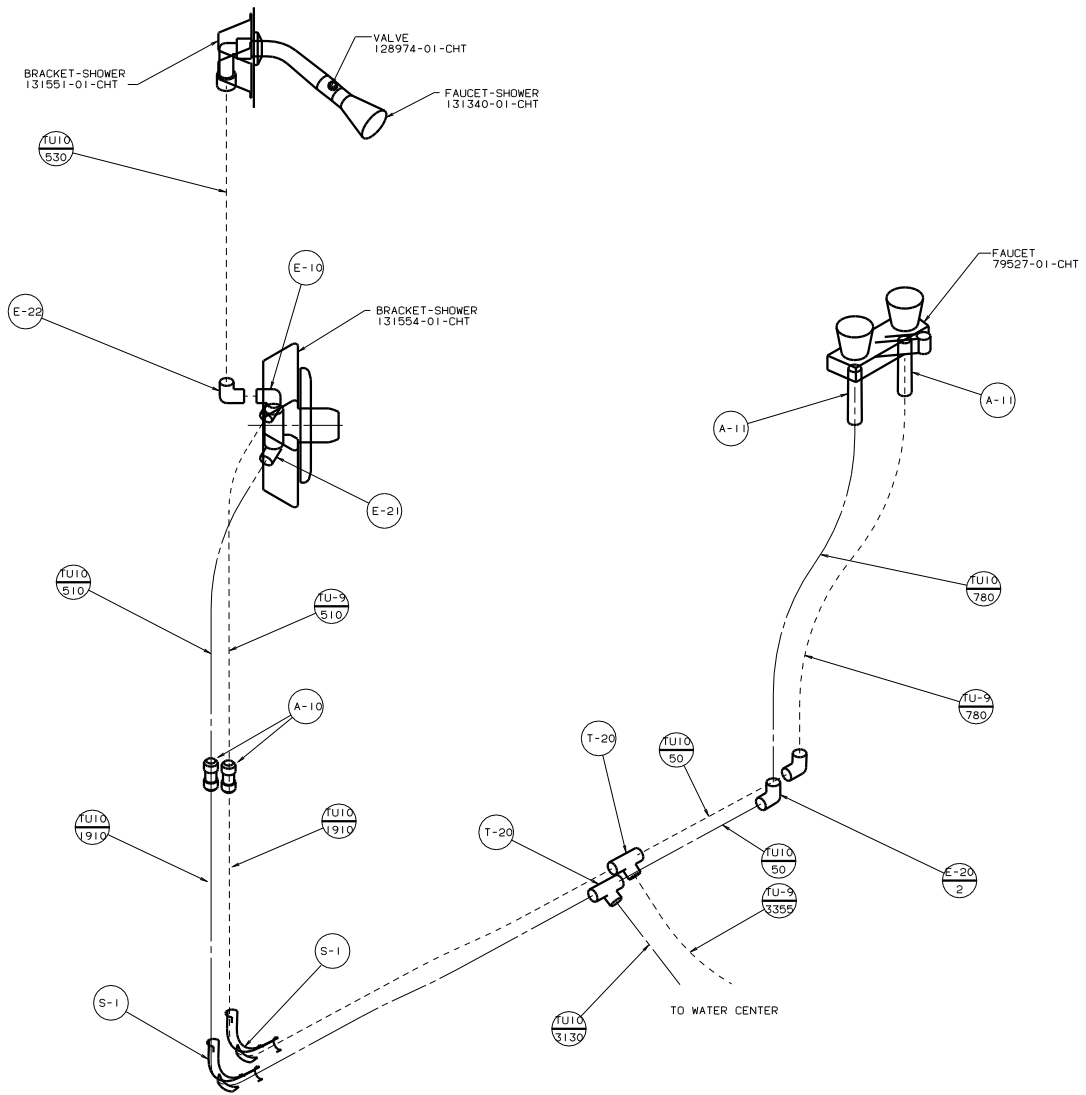


00 P36LD

TITLE: DRAINAGE SYSTEM INSTL	
NO. OF SHEETS	TOTAL SHEETS
4 OF 4	4
DWG. NO. 133490	



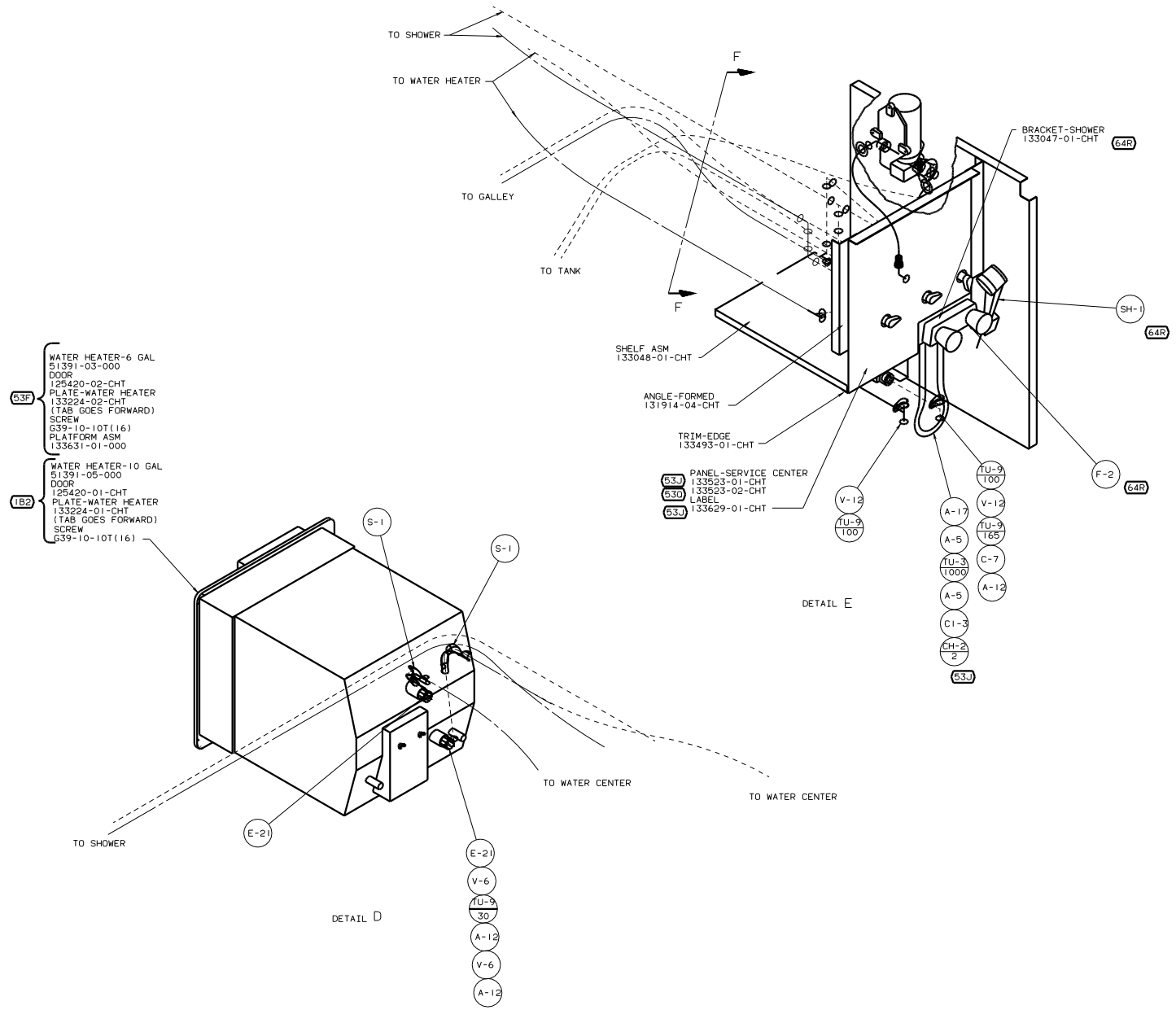




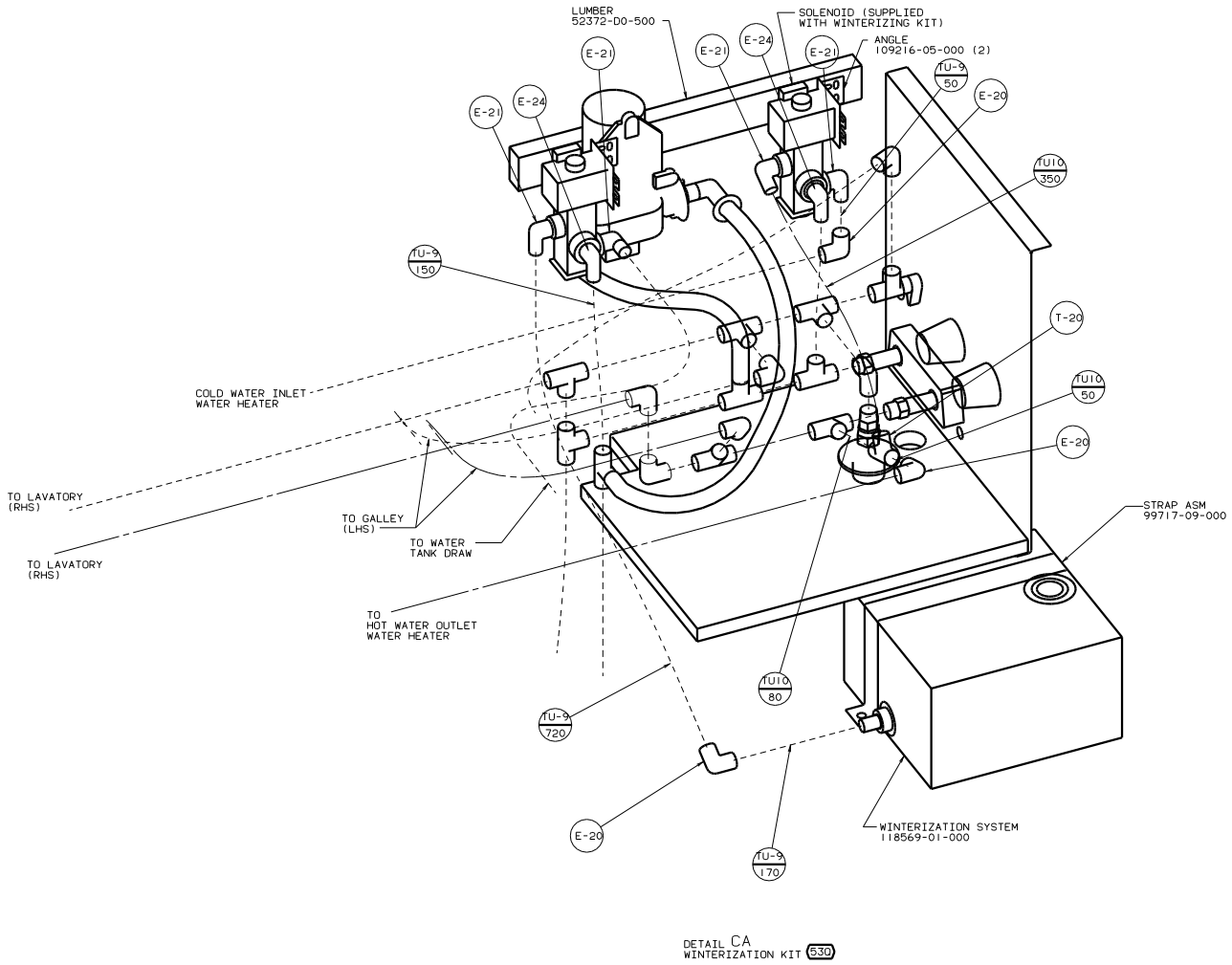
DETAIL CA

00 P36LD

TITLE: WATER SYSTEM INSTL	
DATE: 3/06	REV: 1
SHEET 3 OF 6	DWG NO: 133738







DETAIL CA WINTERIZATION KIT 630