

BRACKET
134703-01-CHT
SCREW
G39-10-10T121

- ⚠ VENT PIPE MUST PROJECT 51 MIN AND 63.5 MAX ABOVE ROOF FOR PROPER FIT AND FUNCTION.
- 9 FASTEN TO BOTTOM OF UPPER FLOOR.
- 8 VALVE TERMINATION TEE TO BE POSITIONED AT 45° DOWN AND OUTBOARD.
- 7 TRIM TO FIT

- 6. FOR CANADIAN UNITS EACH HOLDING TANK SHALL HAVE A CSA APPROVAL STAMPED NEAR THE TAMPO APPROVAL.
- 5. SEAL AROUND SHOWER WITH SILICONE.
- 4. ALL EXTERIOR OPENINGS AROUND PIPE TO BE SEALED WITH 110744-01-000.
- 3. ALL PIPE AND FITTINGS TO BE ASSEMBLED WITH SOLVENT
- 2. SLOPE OF TRAP ARM MUST BE 6 PER 305 MM.
- 1. SLOPE OF HORIZONTAL PIPING TO BE 6 PER 305 MM.

- 54E WASHER/DRYER
- 21T WASHER/DRYER W/O
- 21M WASHER/DRYER PREP
- 430 TOILET PORCELAIN-ROUND
- 265 CODES/STDS-CSA/CMVSS
- 1B1 CODES/STANDARDS-USA

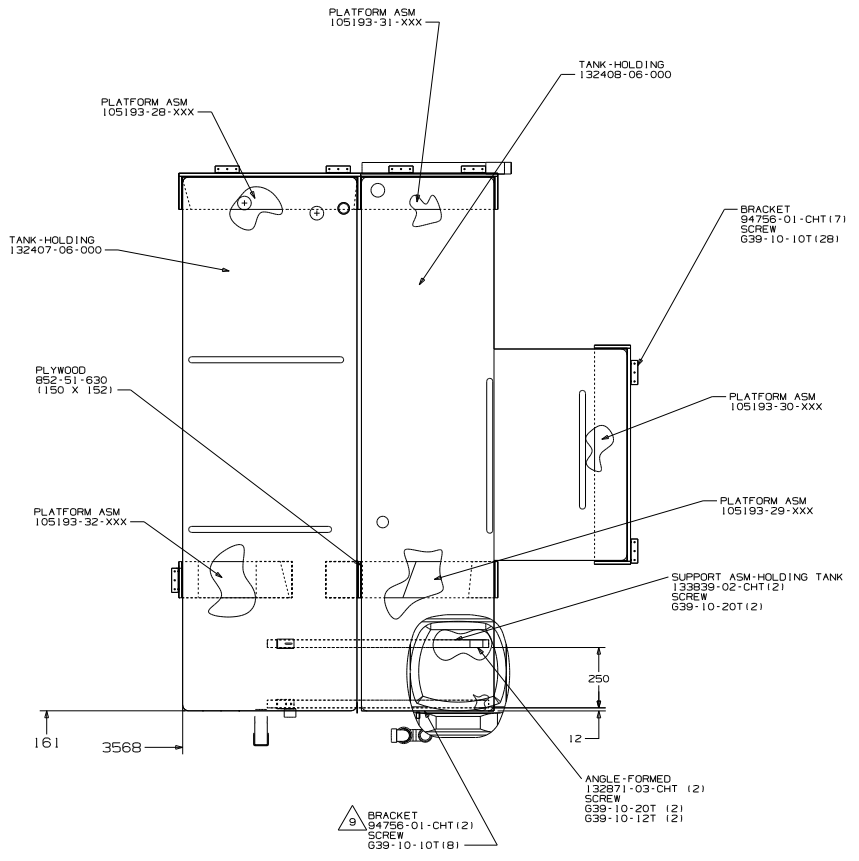
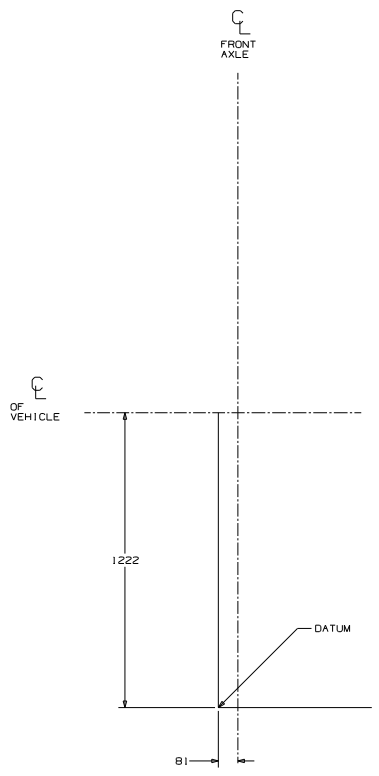
WINNEBAGO

DTR	ORIG. DATE
CHR	ALL DIMENSIONS ARE IN MILLIMETERS
P.E.	FIRST USED
W.R.	00 P34BD
DWR	

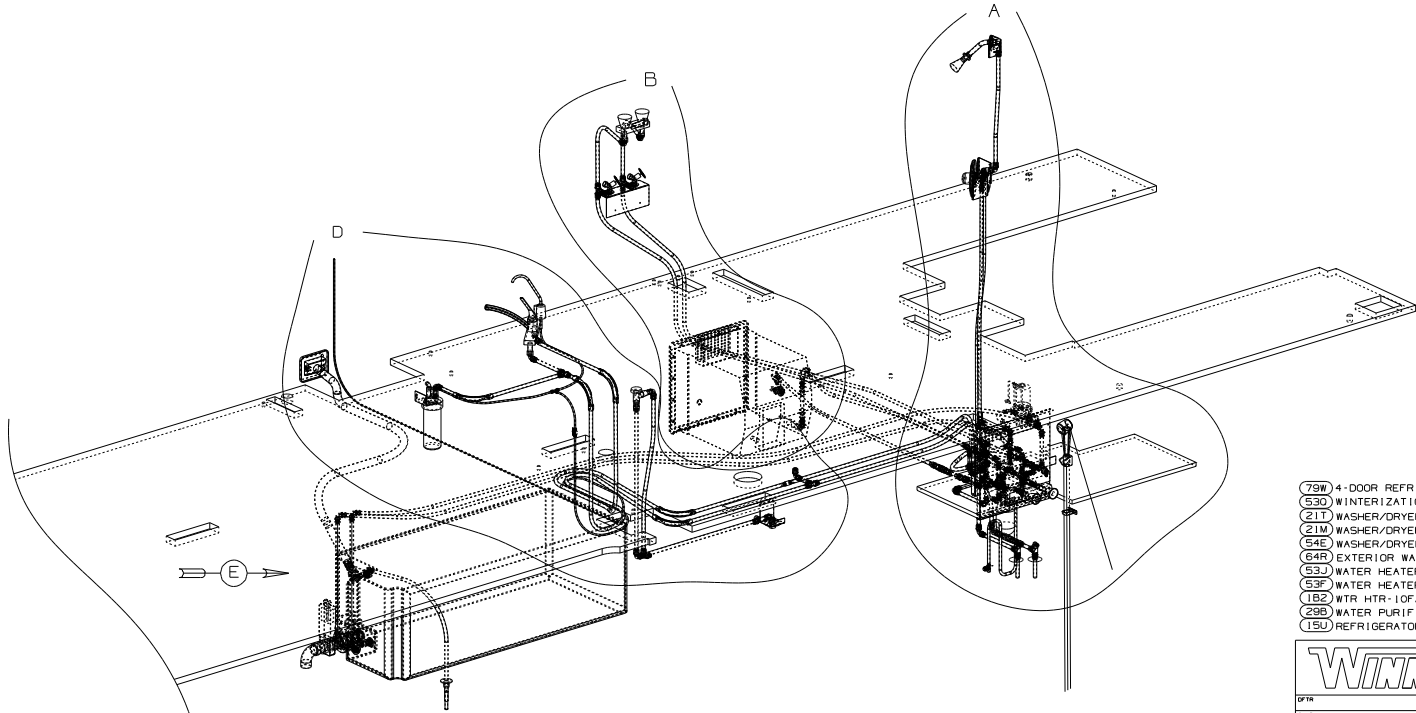
UNSPECIFIED TOLERANCES ARE:	MATERIAL
HOLES (Ø) .01	+
ONE-PLACE (X.X)	+
TWO-PLACE (X.XX)	+
ANGLE	+
THIRD ANGLE PROJECTION	

X-X
FOR DRAINAGE CALLOUTS
SEE DWG NO.
116229-01-000

DO NOT SCALE DRAWING	
TITLE	DRAINAGE SYSTEM INSTL
SHEET 1 of 3	PART NO 134160



FIRST USED	00 P34BD
DO NOT SCALE DRAWING	
TITLE: DRAINAGE SYSTEM INSTL	
SHEET 3 of 3	PART NO 134160



- (79W) 4-DOOR REFRIG
- (53D) WINTERIZATION KIT
- (21T) WASHER/DRYER-WITHOUT
- (21M) WASHER/DRYER PREP
- (54E) WASHER/DRYER
- (64R) EXTERIOR WASH STATION
- (53J) WATER HEATER BY-PASS-VALVE
- (53F) WATER HEATER-ELEC. IGNITION
- (18Z) WTR HTR-10FAL/ELEC/LP/MTR/10
- (29B) WATER PURIFIER
- (15U) REFRIGERATOR/FRZR W/ICEMAKER

- △ 5.1 ADD TEFLON TAPE 10405-03-000 TO FITTING.
- △ 5.2 ADD TEFLON TAPE 10405-02-000 TO FITTING.
- △ 4.1 FLUSHING SYSTEM REQUIRES 125697-06-000 INSTRUCTION SHEET.
- 3. ALL TUBING TO BE SECURED AT 1200 INTERVALS MAXIMUM WITH CLAMP 10495-01-000 OR CLIP 9151-01-000 AND SCREW 667-10-12B.
- 2. TUBING TO BE INSTALLED WITH SUFFICIENT SLOPE TO PROVIDE DRAINAGE TO NEAREST VALVE.
- 1. PLASTIC FITTINGS TO BE SEALED WITH SEALANT 84456-01-000.

X-X	FOR
	WATER
	CALLOUTS
	SEE DWG NO 116230-01-000

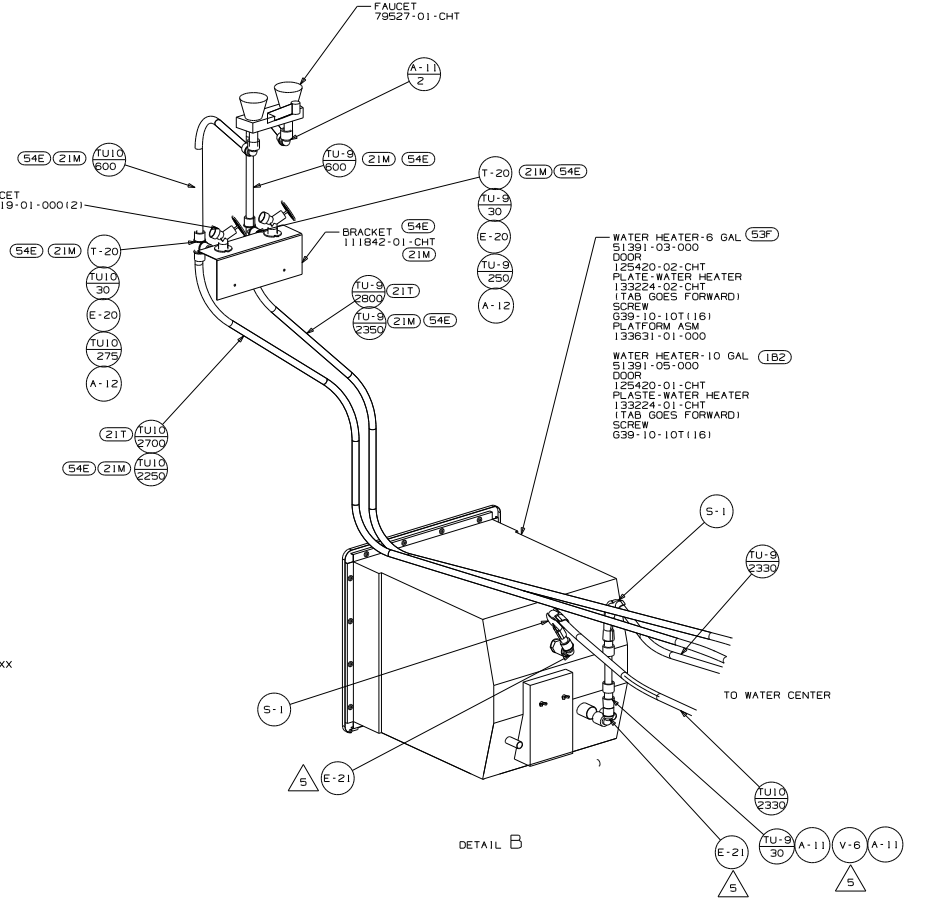
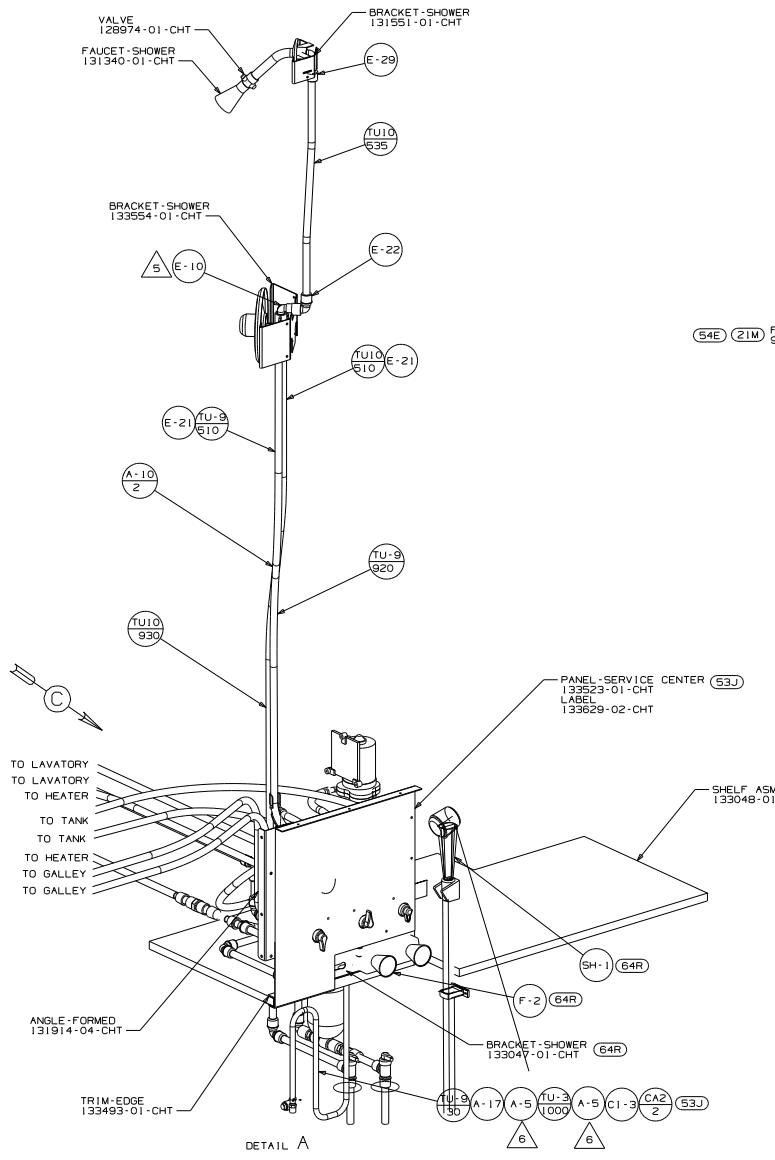
WINNEBAGO

DTR	ORIG. DATE
CHR	ALL DIMENSIONS ARE IN MILLIMETERS
P.E.	FIRST USED
W.E.	00 P34BD
DWR	

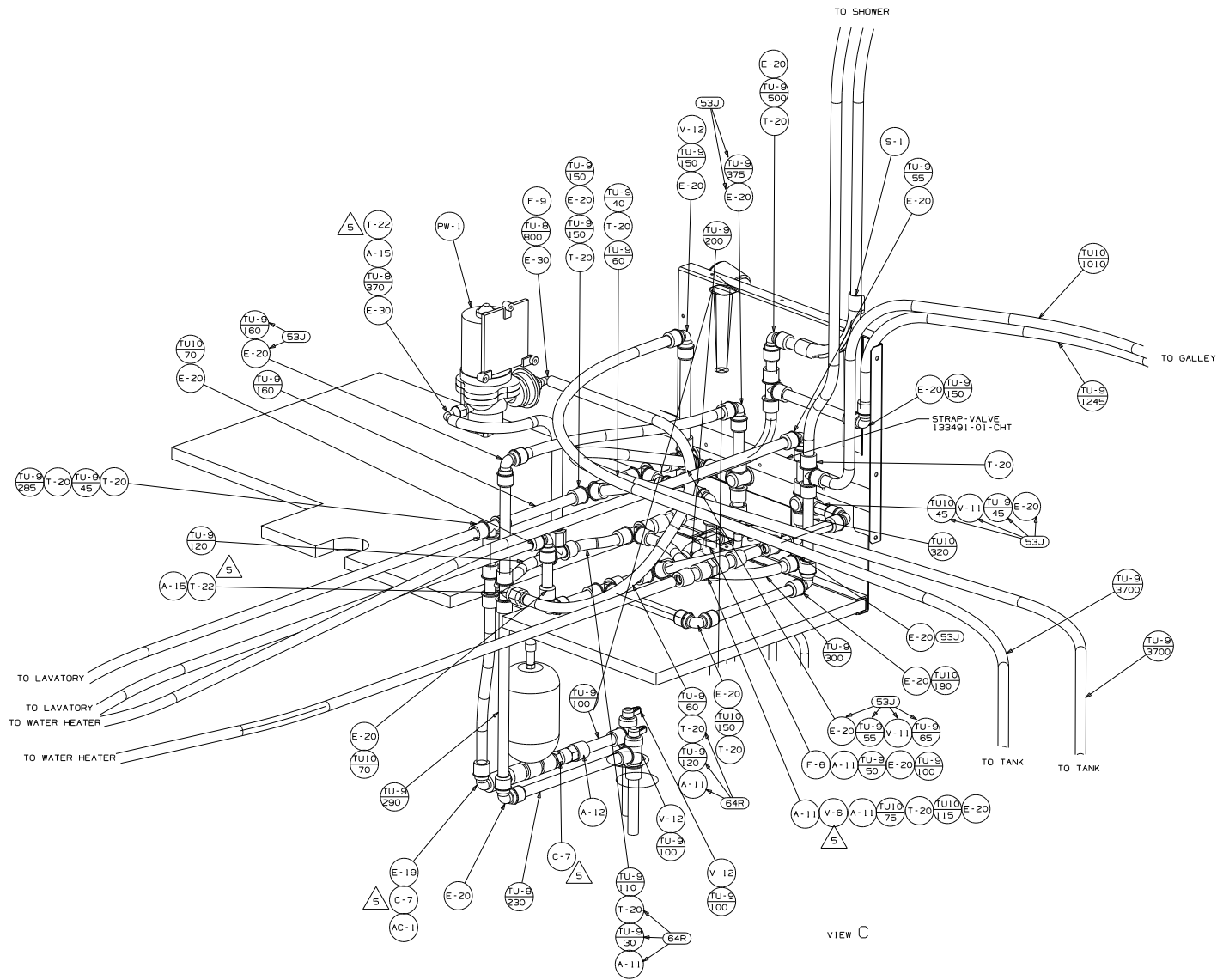
UNSPECIFIED TOLERANCES ARE:	MATERIAL
HOLE DIM (X.X)	7
ONE-PLACE (X.X)	+
TWO-PLACE (X.X)	+
ANGLE	+

DO NOT SCALE DRAWING

TITLE:	
WATER SYSTEM INSTL	
SHEET 1 of 4	PART NO 134162

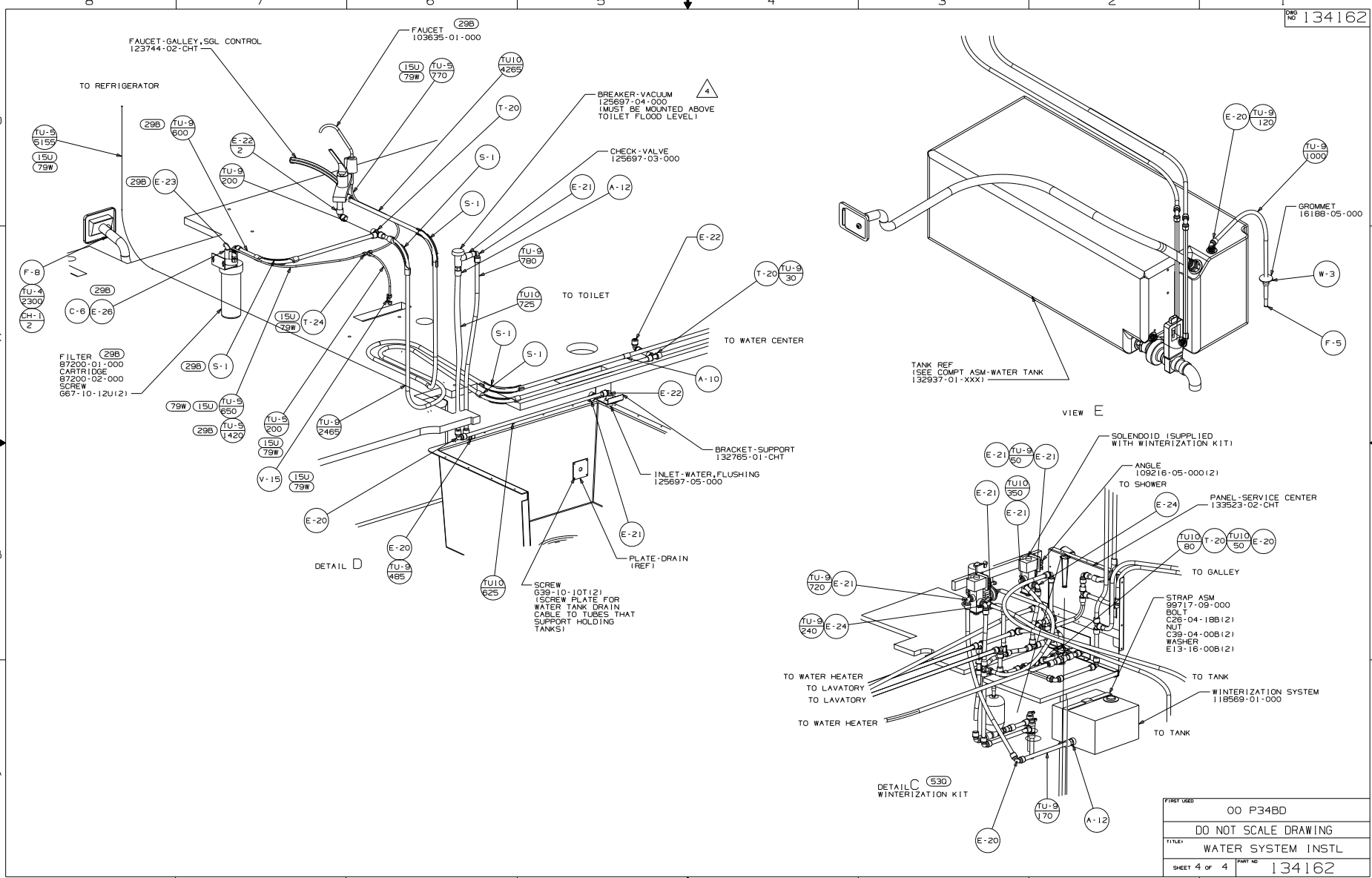


PART USED		00 P34BD
DO NOT SCALE DRAWING		
TITLE: WATER SYSTEM INSTL		
SHEET 2 of 4	PART NO 134162	



VIEW C

FIRST USES	OO P34BD
TITLE	DO NOT SCALE DRAWING
	WATER SYSTEM INSTL
SHEET 3 of 4	PART NO 134162



PART USES	00 P34BD
TITLE	DO NOT SCALE DRAWING
	WATER SYSTEM INSTL
SHEET 4 of 4	PART NO 134162