

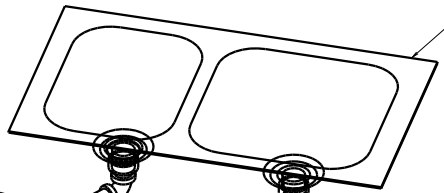
- NOTES:
- ⑩ SECURE VENT TUBES TO FLOOR WITH BRACKET 95061-01-000 (2)
 CLAMP 62401-02-000, SCREW G67-10-12B (2).
 9. SECURE PIPES TO CABINET USING WIRE TIE 108046-02-000
 AND SCREW G67-10-12U (8).
 - ⑧ VENT PIPE MUST PROJECT 51 MIN TO 64 MAX
 ABOVE ROOF FOR PROPER FIT AND FUNCTION.
 - 7 SEE DWG 61607-01-000 FOR INSTL OF GROMMET.
 - 6 SEAL ALL AROUND SHOWER PAN.
 - ⑤ TRIM TO FIT.
 4. ALL EXTERIOR OPENINGS AROUND PIPE TO BE SEALED WITH 110744-01-000.
 3. ALL PIPE AND FITTINGS TO BE ASSEMBLED WITH SOLVENT 4020-01-000.
 2. SLOPE OF TRAP MUST BE 6 PER 300 MINIMUM.
 1. SLOPE OF HORIZONTAL PIPING TO BE 6 PER 300 MINIMUM.

- (WIN) WINNEBAGO ONLY
- (ITA) ITASCA ONLY
- (54E) WASHER/DRYER
- (430) TOILET-PORCELAIN
- (43M) TOILET PORCELAIN-ELONGATE
- (WIN) WINNEBAGO ONLY
- (ITA) ITASCA ONLY
- (21M) WASHER/DRYER PREP
- (26S) CODES/STANDARDS-CSA/CMVSS
- (IB1) CODES/STANDARDS USA

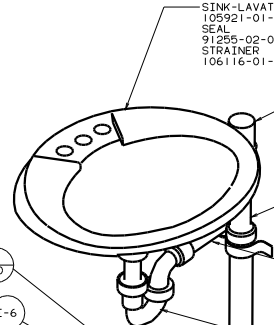
(X-X)
 FOR DRAINAGE CALLOUTS SEE DWG NO. 116229-01-000

DATE		UNDESIGNED TOLERANCES ARE:		MATERIAL	
DATE	DATE	WHOLE DIM (IN)	+		
DATE	DATE	ONE-PLACE (IN.XI)	+		
DATE	DATE	TWO-PLACE (IN.XXX)	+		
DATE	DATE	MILLI			
DATE	DATE	THIRD ANGLE PROJECTION			

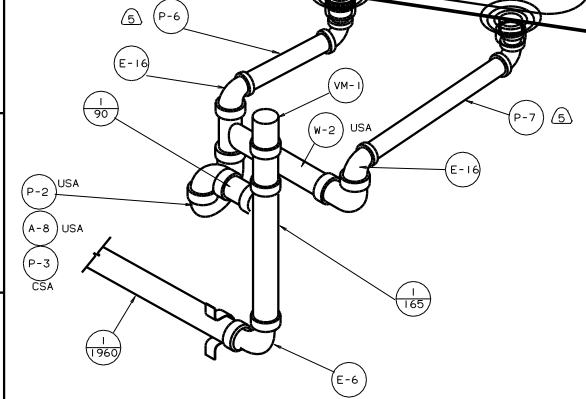
LAYOUT L36W		TITLE: DRAINAGE SYSTEM INSTL	
REV #	SCALE	NOTE	DATE
1	1:1	NO NEW SCALE CHANGES	1E
SHEET 1 OF 3		DWG NO 134322	



- SINK-SST DOUBLE
110654-01-000
- STRAINER
92303-01-000 (2)
- SEAL
91255-02-000 (A/R)
- SCREW
G57-06-10U (2)
- RETAINER
81828-01-CHT
- 83699-15-CHT (2)
- 83699-19-CHT (3)



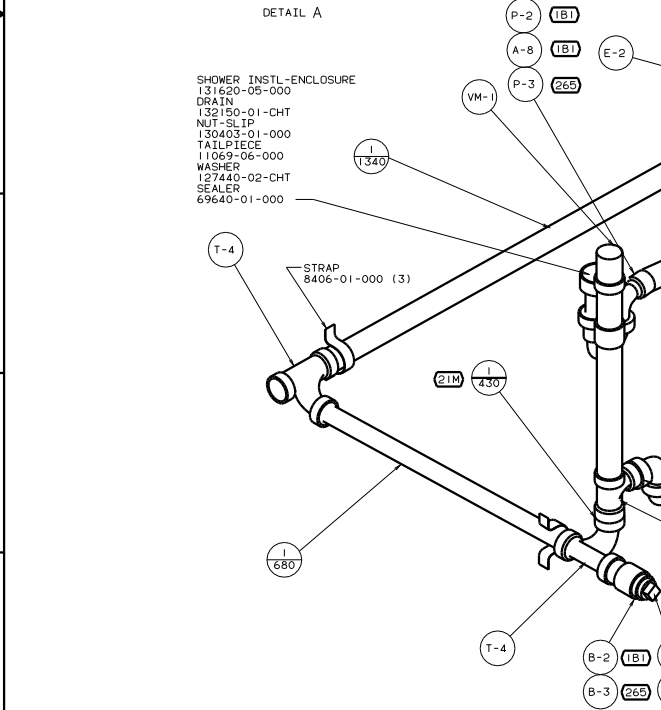
- SINK-LAVATORY
105921-01-CHT
- SEAL
91255-02-000 (A/R)
- STRAINER
106116-01-CHT



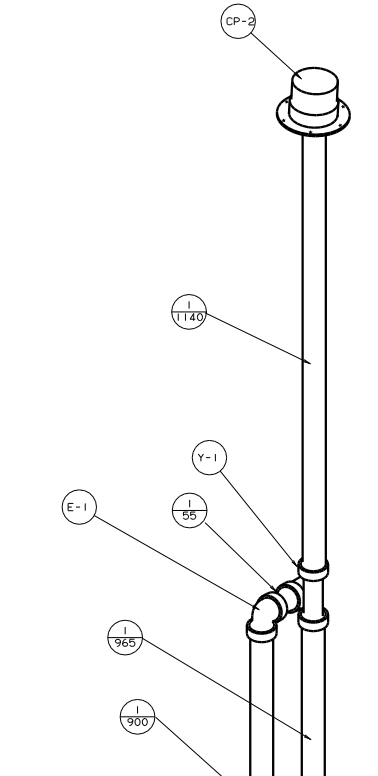
DETAIL A

- SHOWER INSTL-ENCLOSURE
131620-05-000
- DRAIN
132150-01-CHT
- NUT-SLIP
130403-01-000
- TAILPIECE
11069-06-000
- WASHER
127440-02-CHT
- SEALER
69640-01-000

- STRAP
8406-01-000 (3)

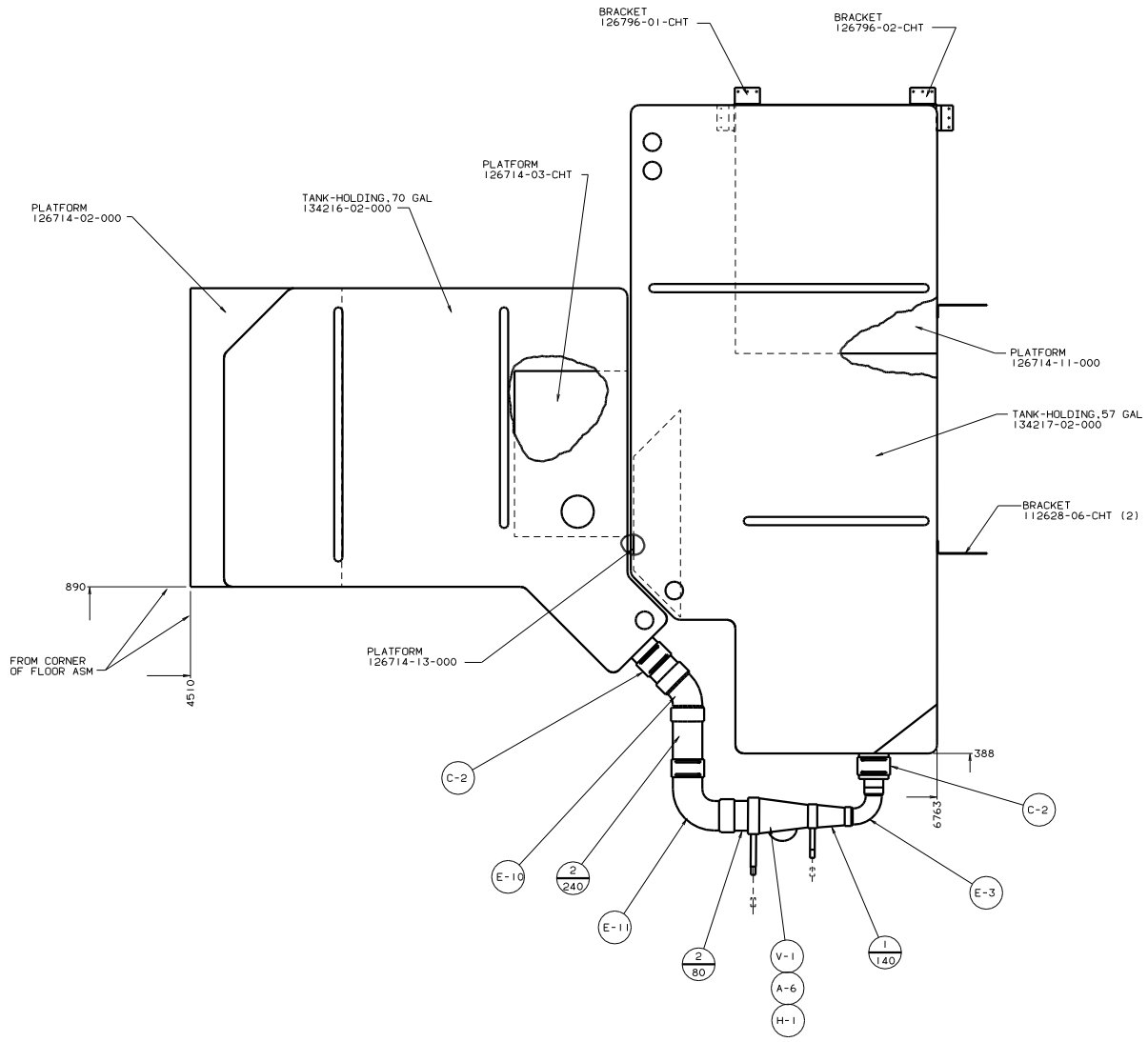


- TOILET-CHINA, STD W/SPRAYER
85321-02-CHT
- TOILET-AURORA
132389-01-CHT



DETAIL C

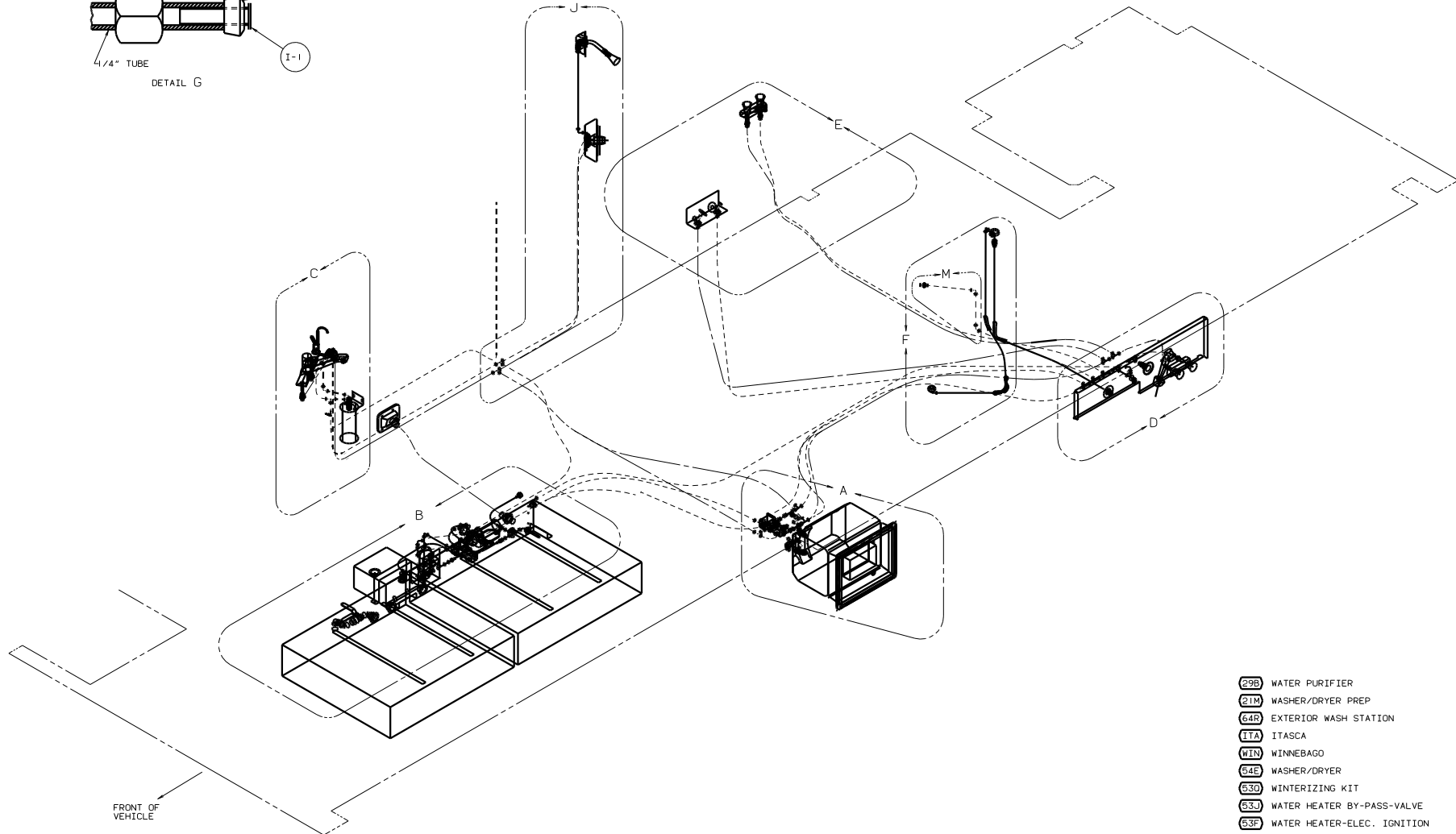
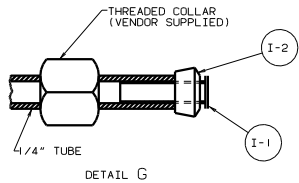
- SCREW
87721-01-000 (8) (430)
- 657-14-64B (8) (43M)



VIEW D-D

00 L36W

TITLE: DRAINAGE SYSTEM INSTL		DWG NO: 134322	
BY: 3	CHECKED: 3	DATE: 11/16	REV: 1
SHEET 3 OF 3		JOB NO: 134322	



- (29B) WATER PURIFIER
- (21M) WASHER/DRYER PREP
- (64R) EXTERIOR WASH STATION
- (ITA) ITASCA
- (WIN) WINNEBAGO
- (54E) WASHER/DRYER
- (530) WINTERIZING KIT
- (53J) WATER HEATER BY-PASS-VALVE
- (53F) WATER HEATER-ELEC. IGNITION
- (15U) REFRIGERATOR/FRZR W/ICEMAKER
- (1B2) WTR HTR-10GAL/ELEC/LP/MTRAMD

- (8) ADD TEFLON TAPE 10405-03-000 TO FITTING.
- (7) ADD TEFLON TAPE 10405-02-000 TO FITTING.
- (6) FLUSHING SYSTEM REQUIRES 125697-06-000 USER INSTRUCTIONS.
- (5) USE DETAIL "G" IN THIS AREA (BOTH ENDS OF TUBING).
- (4) CLAMPS MUST BE ON BARBS.

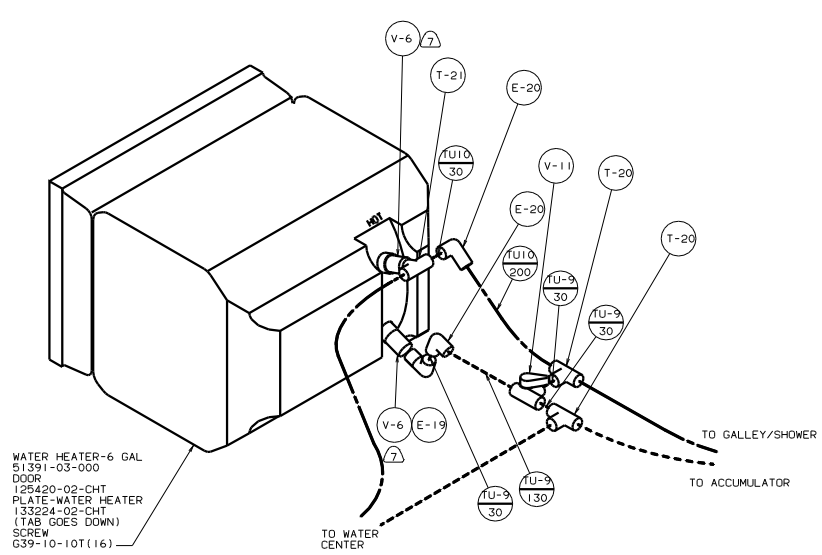
- 3. ALL TUBING TO BE SECURED AT 1200 INTERVALS MAXIMUM WITH CLAMP 10495-01-000 OR CLIP 91951-01-00 AND SCREW G67-10-12B.
- 2. TUBING TO BE INSTALLED WITH SUFFICIENT SLOPE TO PROVIDE DRAINAGE TO NEAREST VALVE.
- 1. PLASTIC FITTINGS TO BE SEALED WITH SEALANT 84456-01-000.

NOTES:

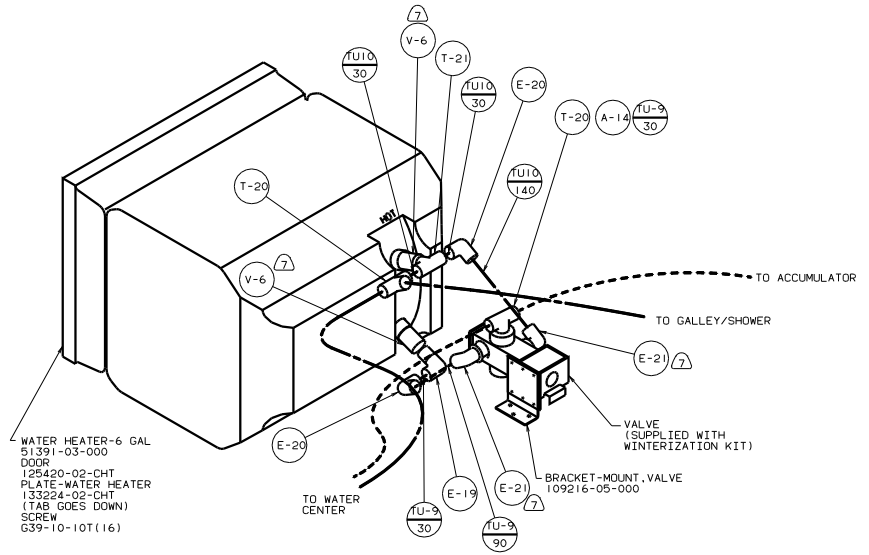
LEGEND		DATE		UNDESIGNED TOLERANCES ARE:	MATERIAL:
HOT	----	DATE		WHOLE DIM (IN)	
COLD	-----	DATE		ONE-PLACE (IN, IN)	
		DATE		TWO-PLACE (IN, IN)	
		DATE		MISC	
		DATE			

FOR WATER CALLOUTS SEE DWG NO. 116230-01-000					
--	--	--	--	--	--

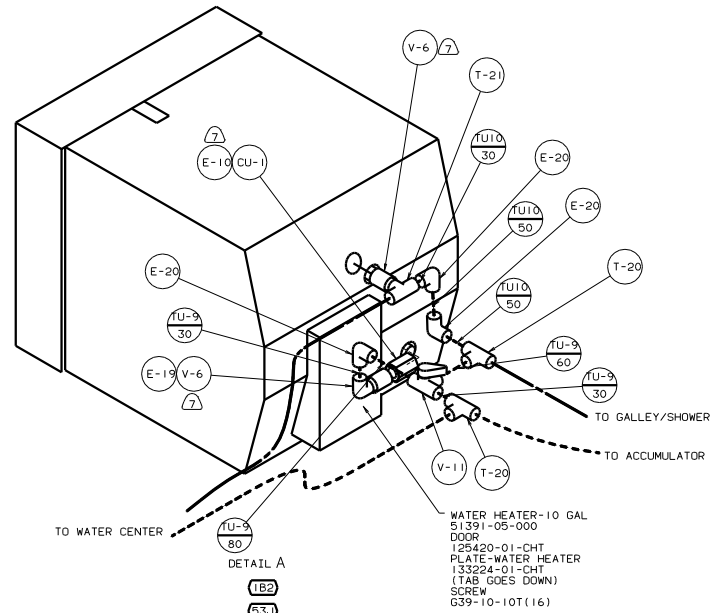
LANRHT	L36W	TITLE	WATER SYSTEM INSTL	
REV #	SCALE NONE	DATE		



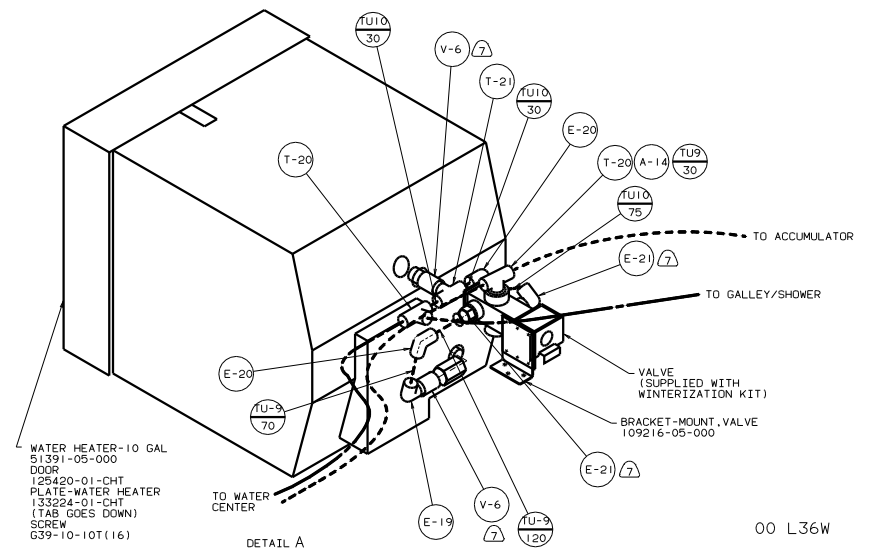
DETAIL A
53F
53J



DETAIL A
53F
53D



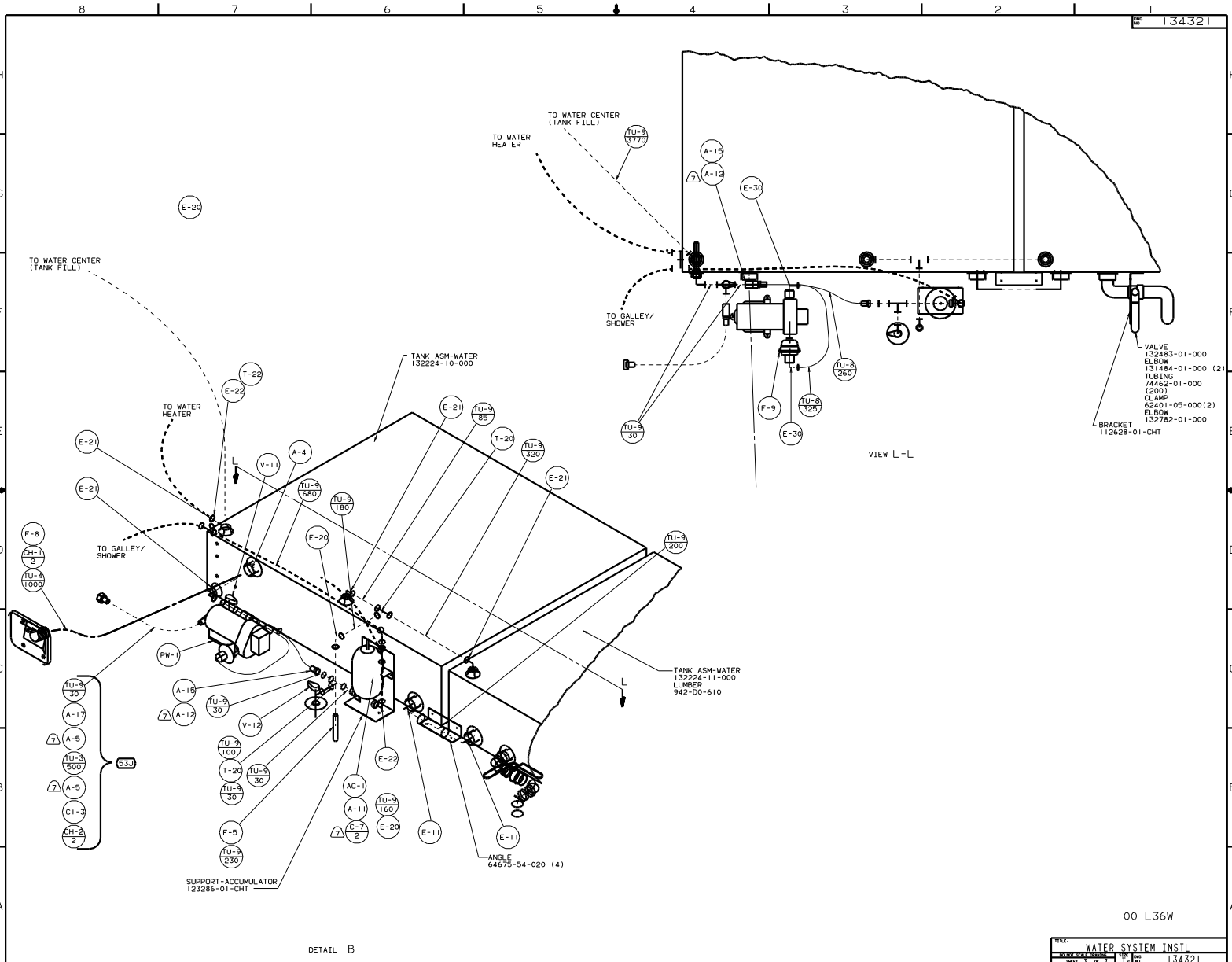
DETAIL A
1B2
53J



DETAIL A
53D
1B2

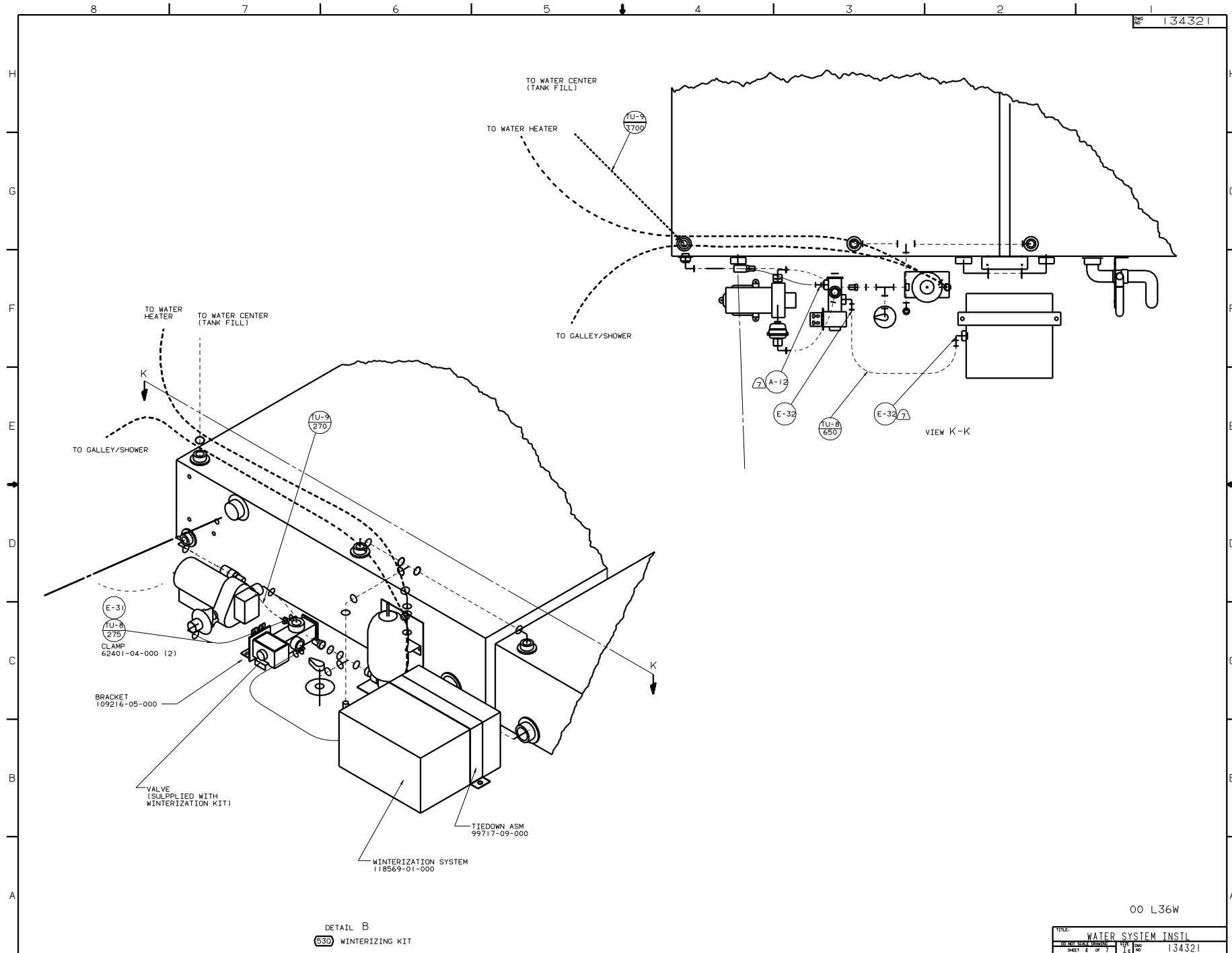
00 L36W

TITLE		WATER SYSTEM INSTL	
30	NO SCALE DRAWING	16	Doc No
SHEET 2 OF 7		134321	



DETAIL B

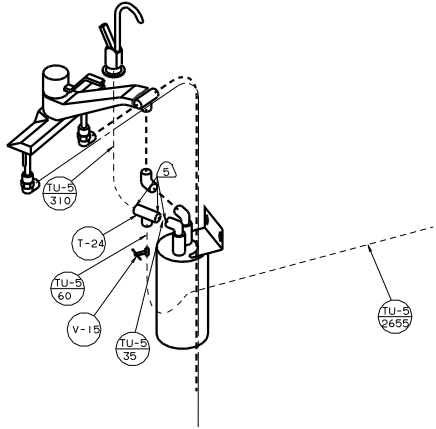
OO L36W



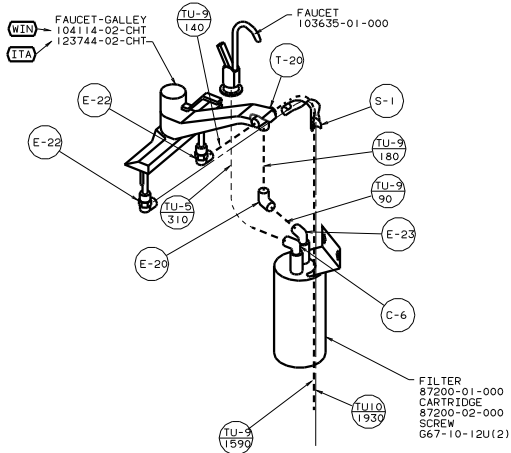
DETAIL B
530 WINTERIZING KIT

00 L36W

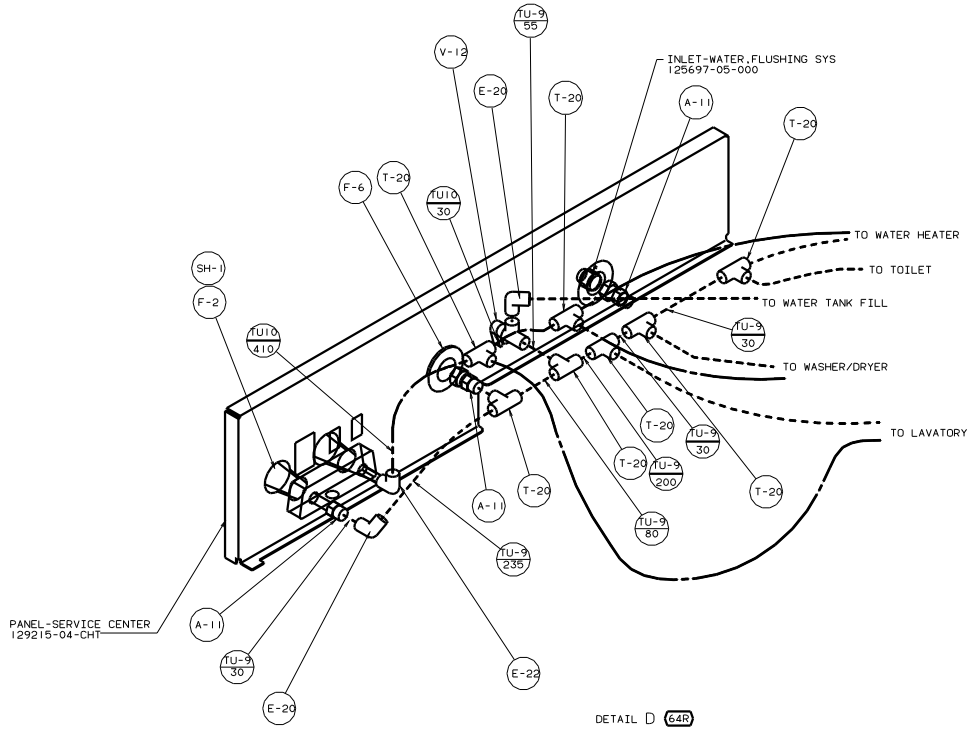
TITLE: WATER SYSTEM INSTL	
DO NOT SCALE DRAWING	DATE: 11/01/05
SHEET 4 of 7	134321



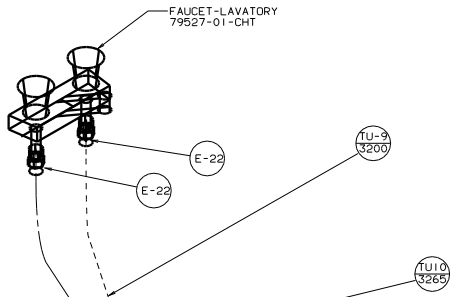
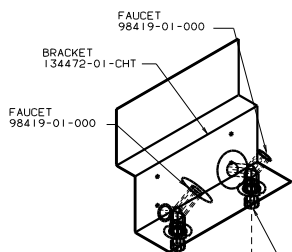
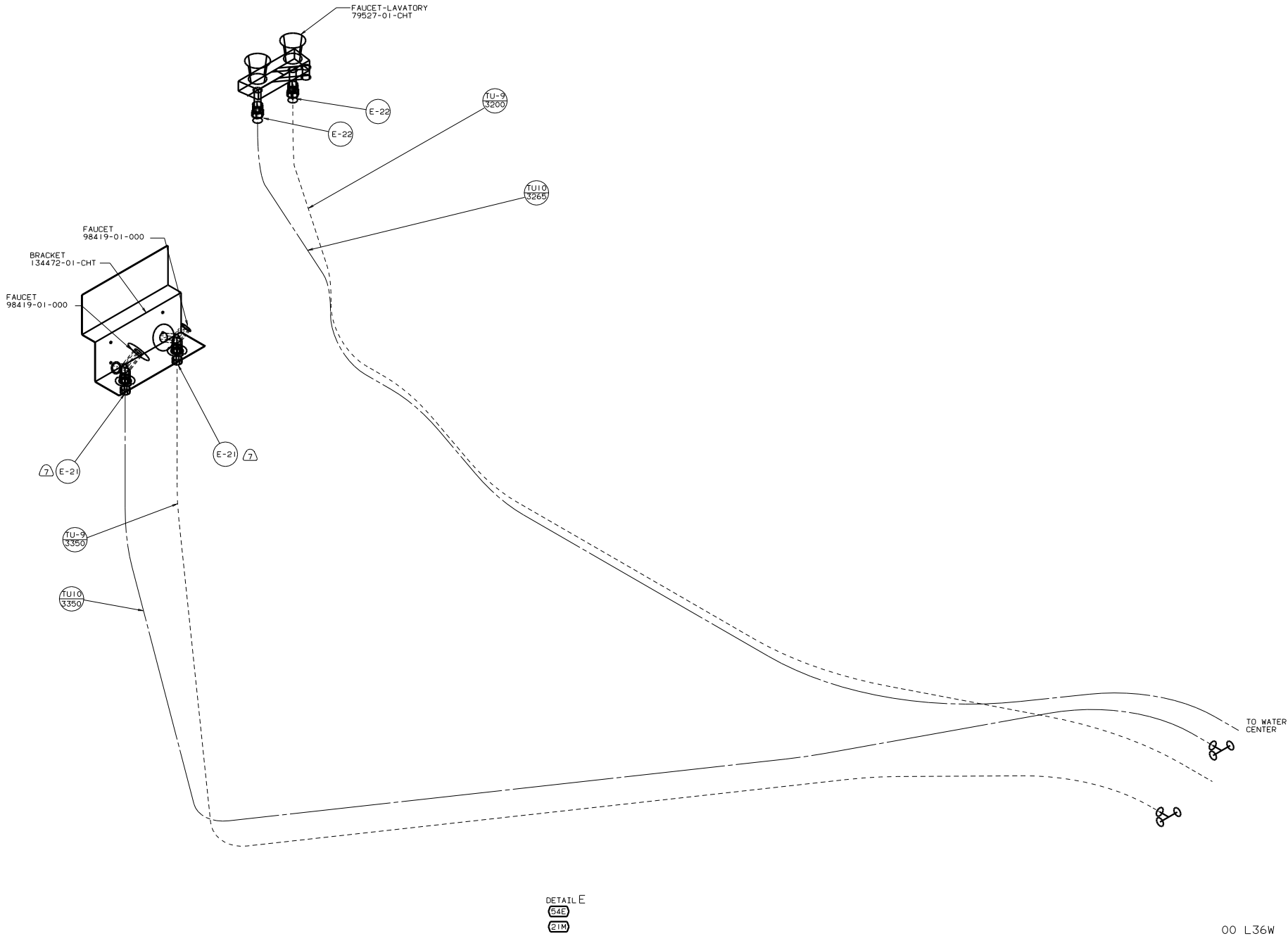
DETAIL C (29B) (15U) (79W)



DETAIL C (29B)



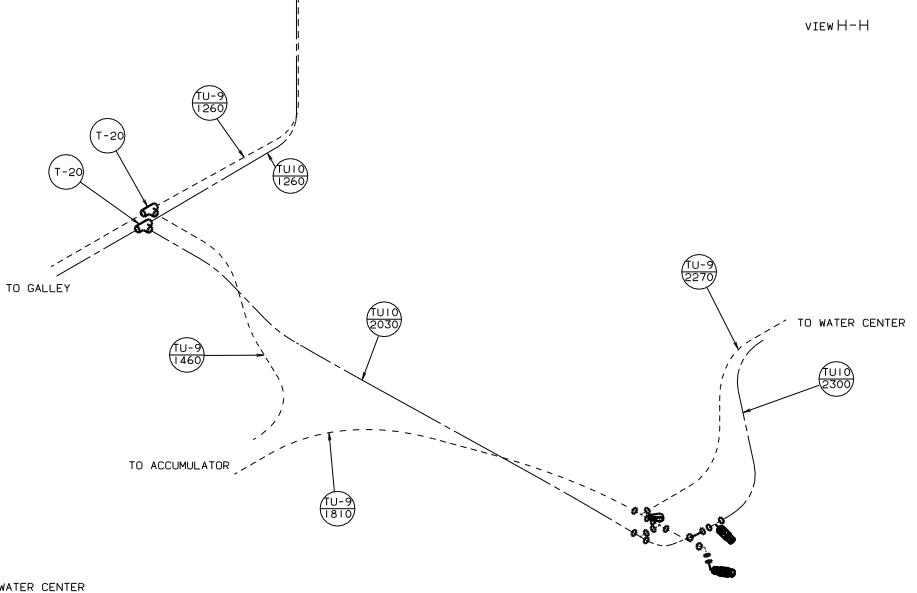
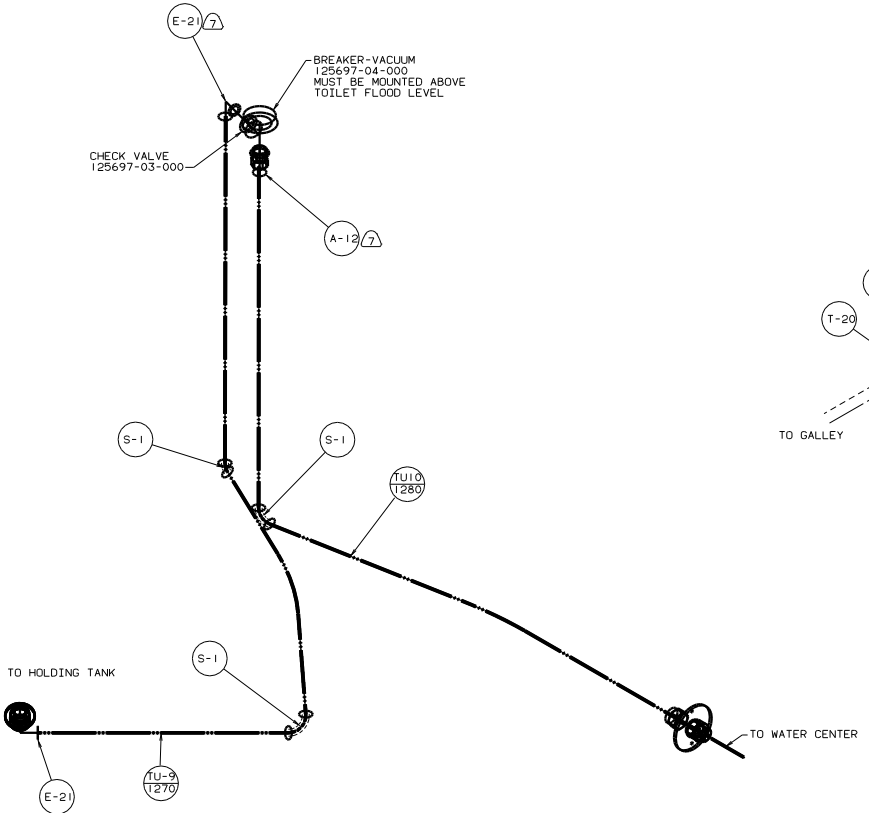
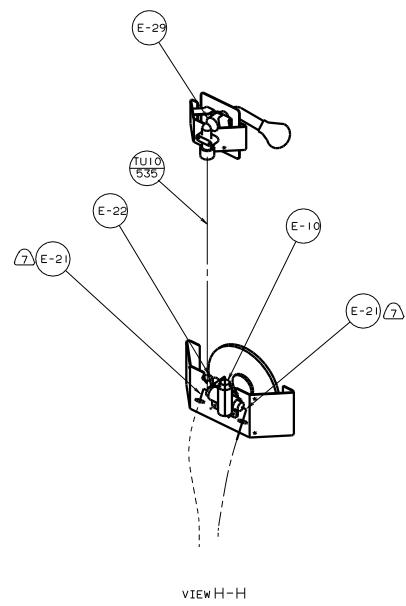
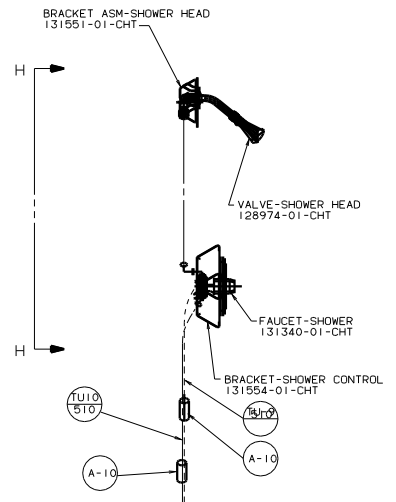
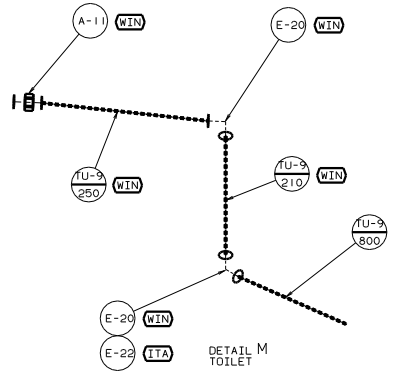
DETAIL D (64R)



DETAIL E
54E
21M

00 L36W

TITLE: WATER SYSTEM INSTL	
DO NOT SCALE DRAWING	REV. NO.
SHEET 6 OF 7	1 E
134321	



DETAIL F FLUSHING SYSTEM

DETAIL J

00 L36W

TITLE		WATER SYSTEM INSTL	
DO NOT SCALE DRAWING	REV	DATE	134321
SHEET 7	OF 7	1.E	