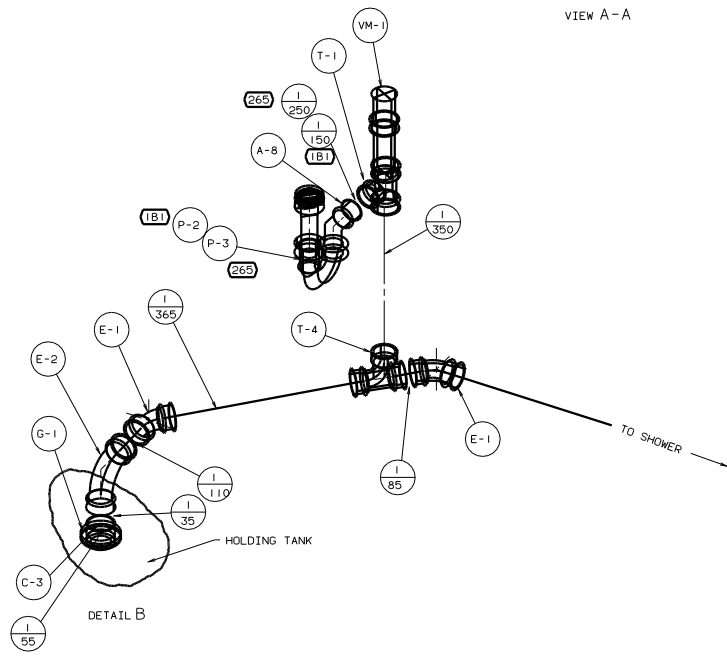
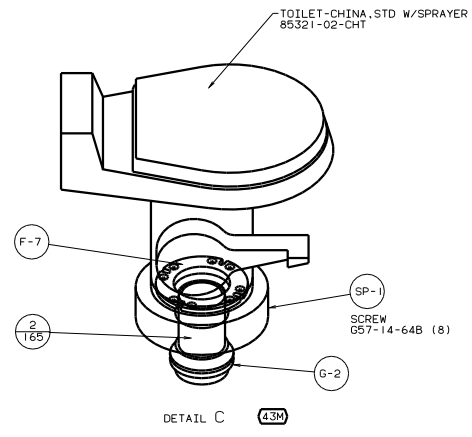


VIEW A-A



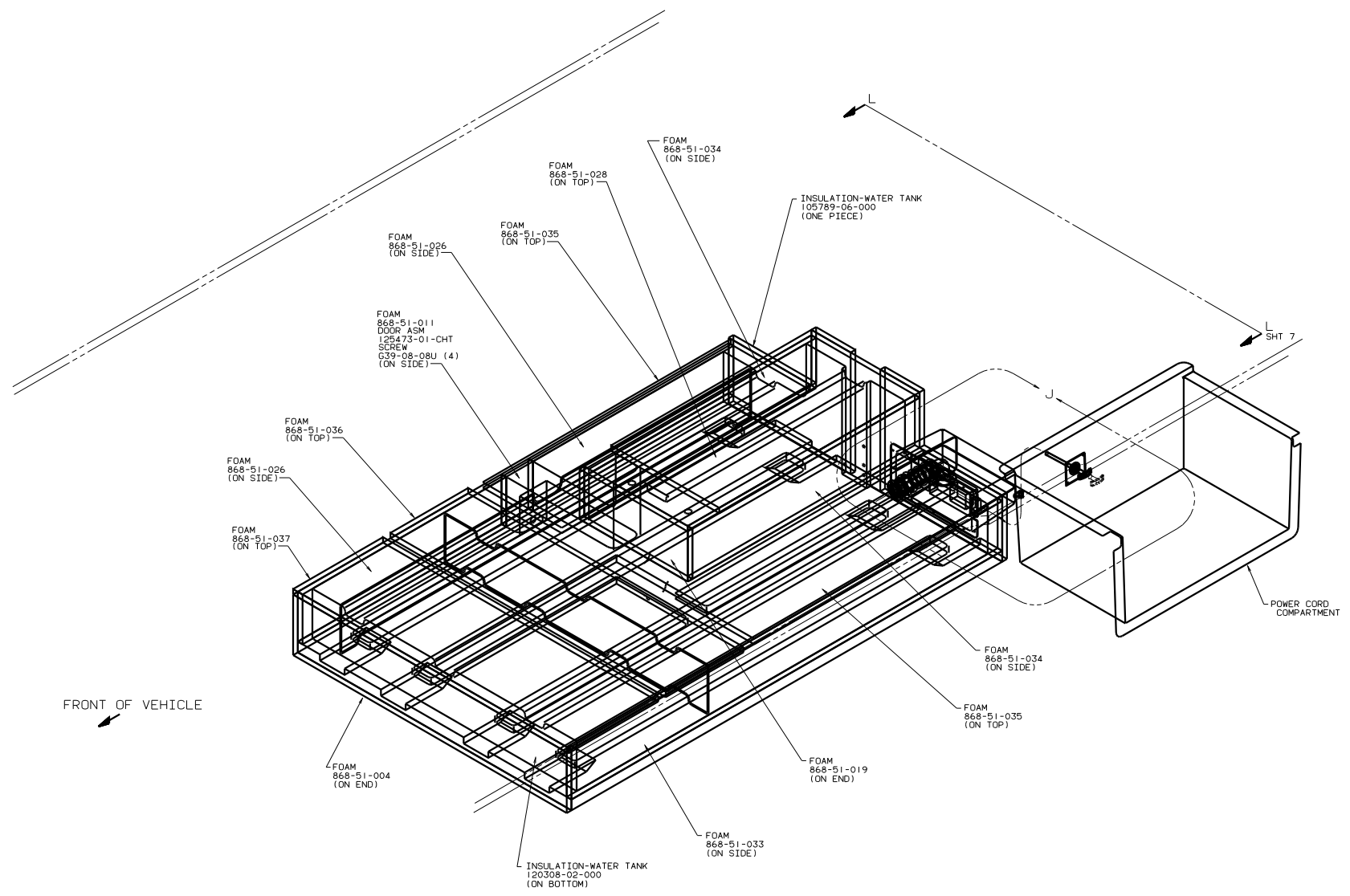
DETAIL B



DETAIL C 43M

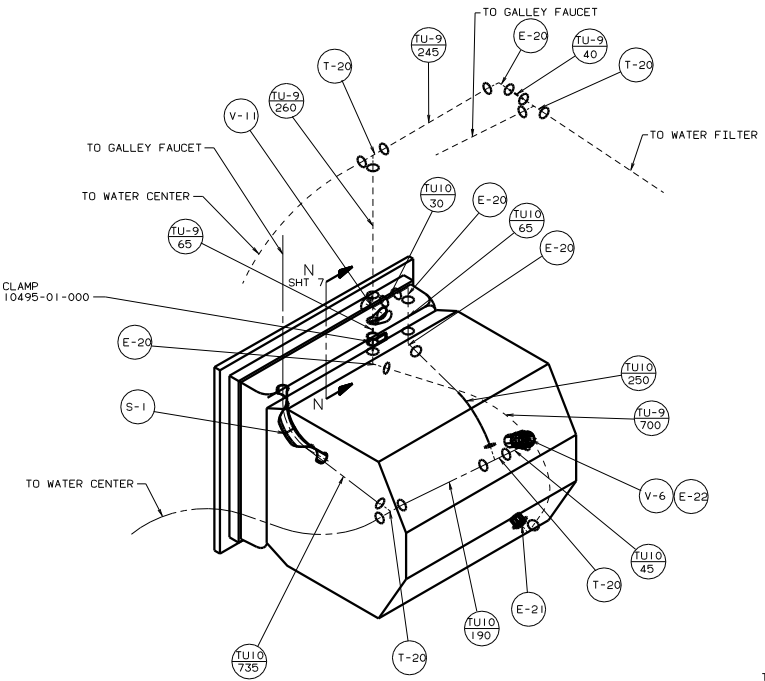
00 L36L, PUSHER

TITLE: DRAINAGE SYSTEM INSTL		DWG NO: 133968	
DO NOT SCALE DRAWING	SHEET 2 OF 2	REV	DATE

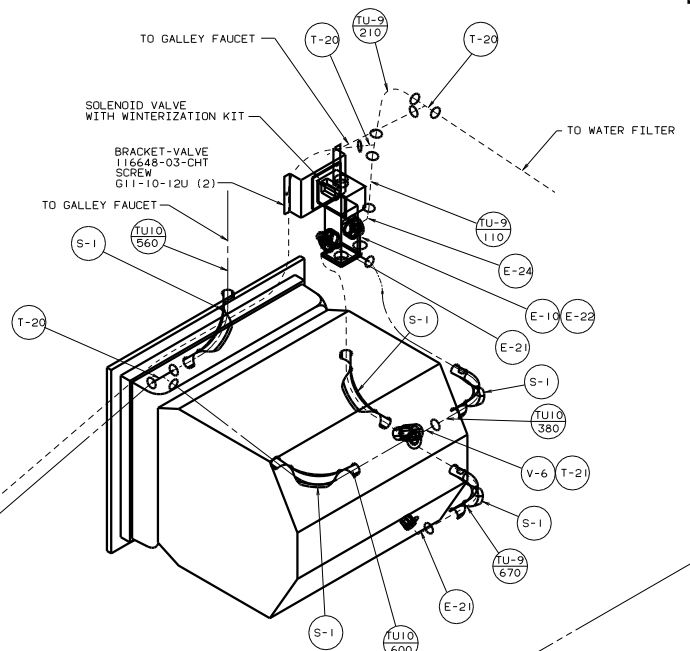


98 L36WL PUSHER

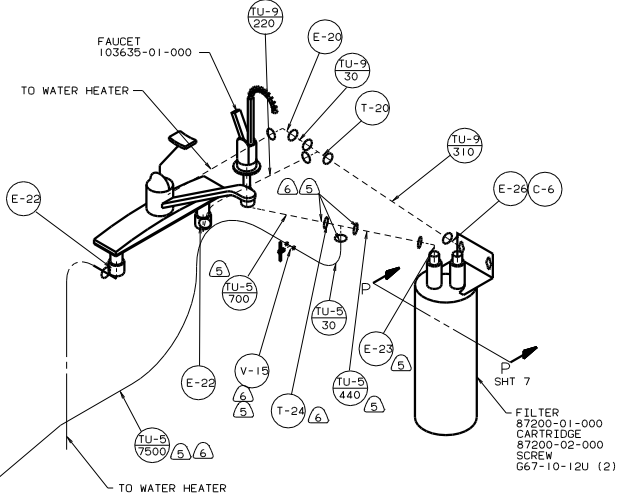
TITLE: WATER SYSTEM INSTL	
DATE: 11/16/05	REV: 1.0
SHEET: 2 OF 7	DWG NO: 125997



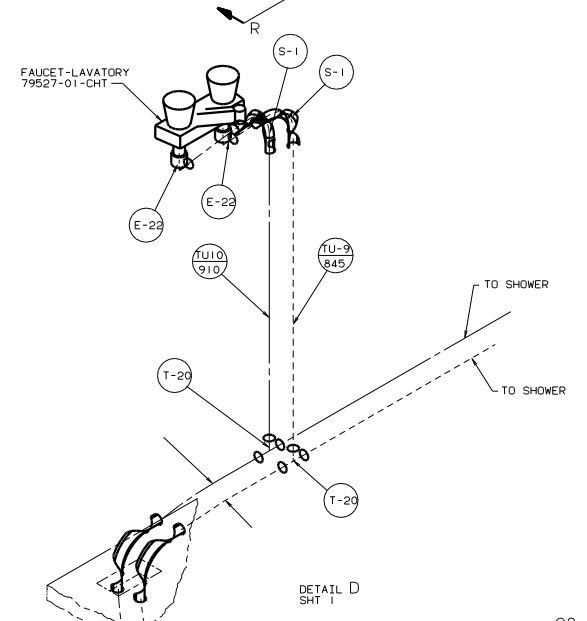
VIEW B-B
SHT 1
53J-WATER HEATER BYPASS VALVE



VIEW B-B
SHT 1
530-WATER HEATER AUTOMATIC WINTERIZER



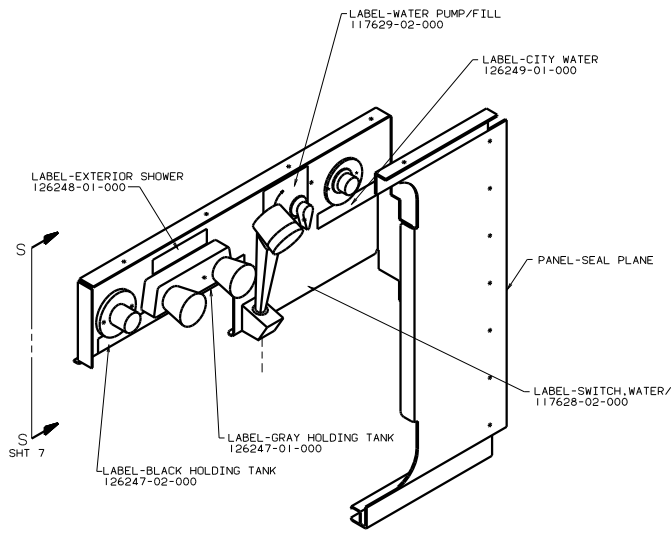
VIEW C-C
SHT 1
29B-WATER PURIFIER



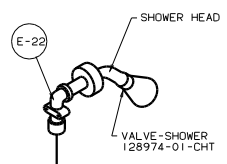
DETAIL D
SHT 1

98 L36WL PUSHER

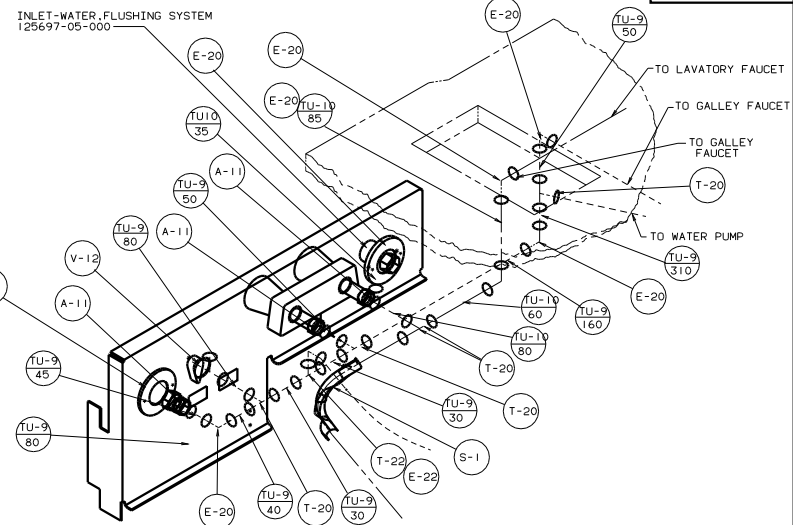
TITLE		WATER SYSTEM INSTL	
30	NO SCALE DRAWING	1/2	1/2
SHEET 3 OF 7		125997	



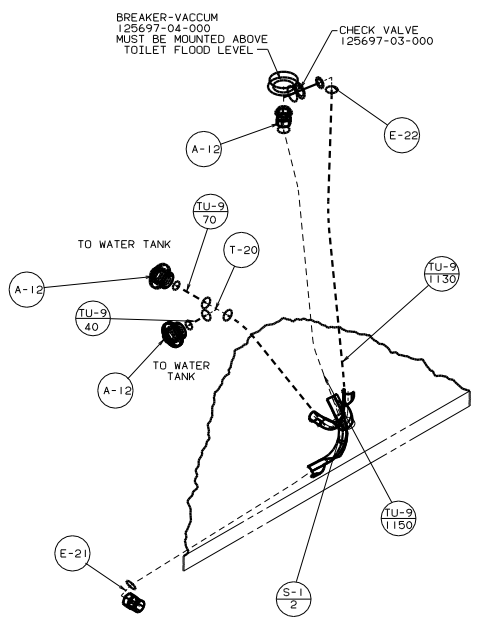
VIEW E-E
SHT 1



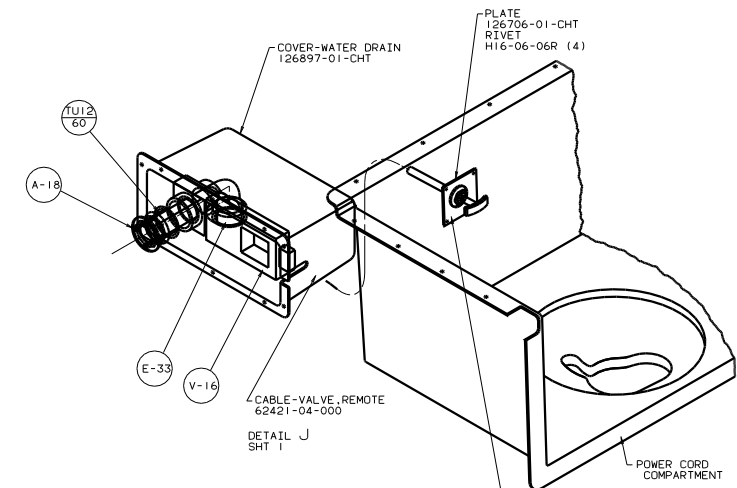
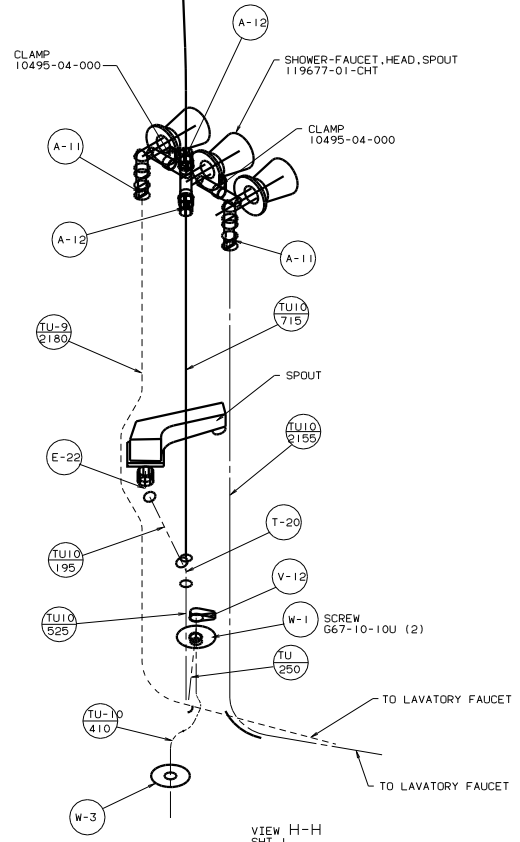
VIEW H-H
SHT 1



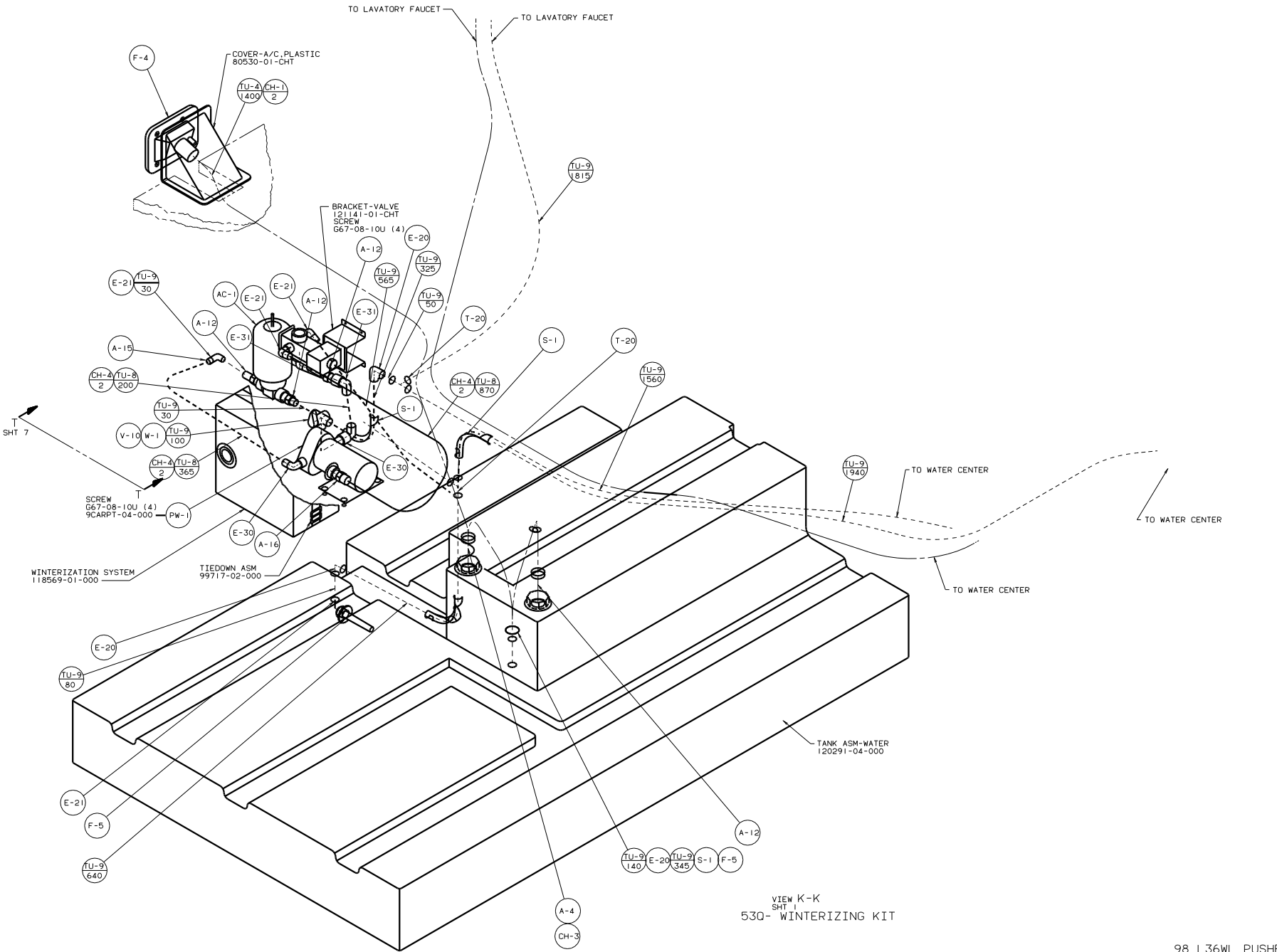
VIEW F-F
SHT 1



DETAIL G
SHT 1
FLUSHING SYSTEM



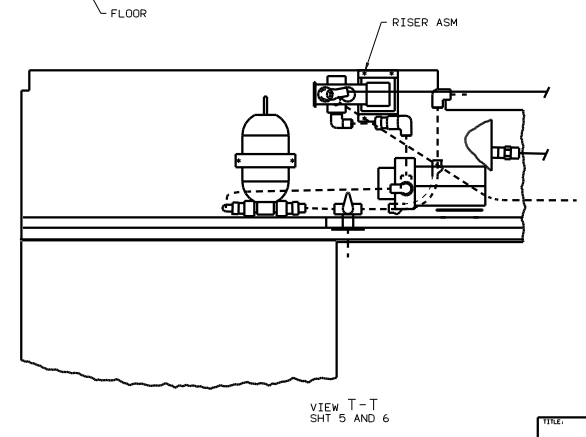
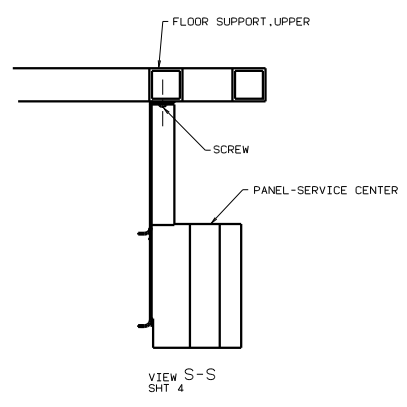
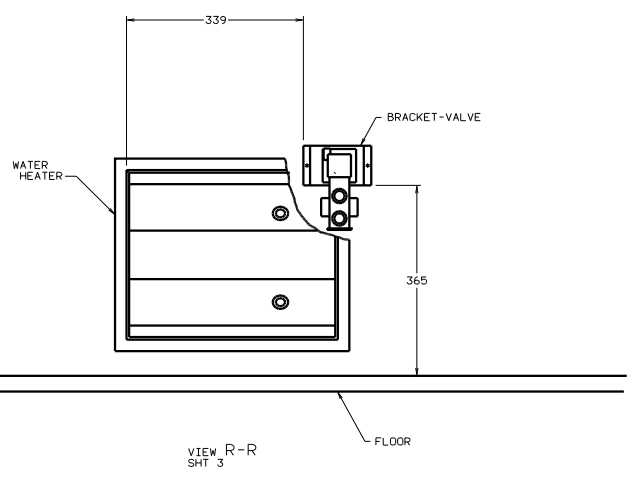
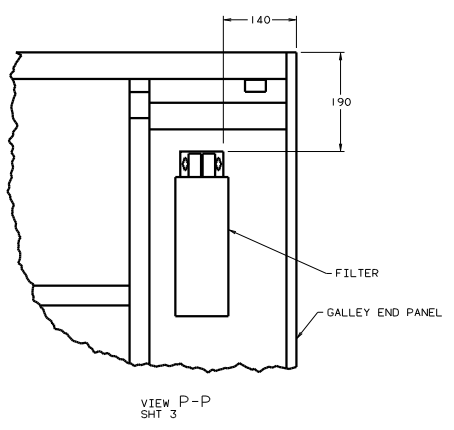
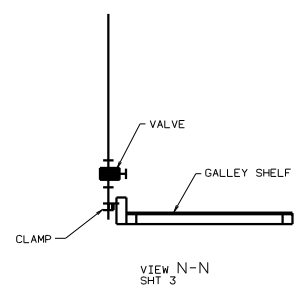
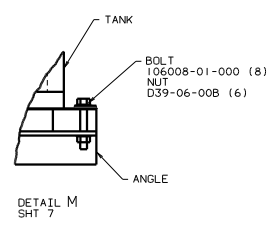
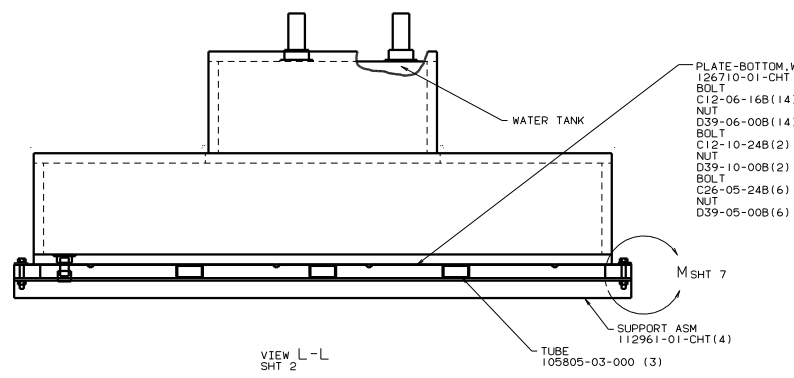
DETAIL J
SHT 1



VIEW K-K
SHT 1
53Q- WINTERIZING KIT

98 L36WL PUSHER

TITLE: WATER SYSTEM INSTL	
NO. OF SHEETS: 7	SHEET 6 OF 7
REV. NO. 1	125997



98 L36WL PUSHER	
TITLE: WATER SYSTEM INSTL	
30 X 100 SCALE (AS SHOWN)	1/8" = 1'-0"
SHEET 7 OF 7	125997