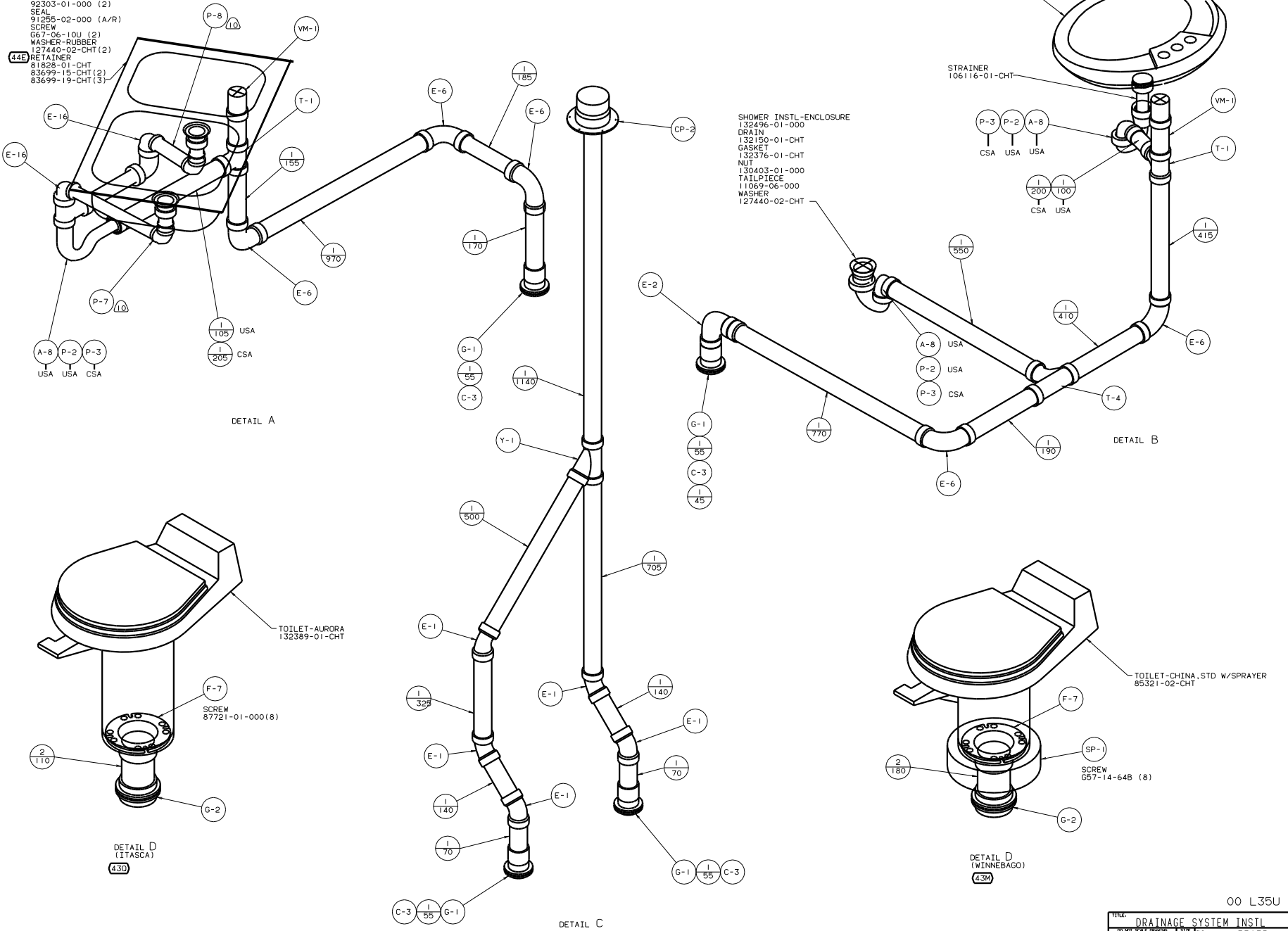
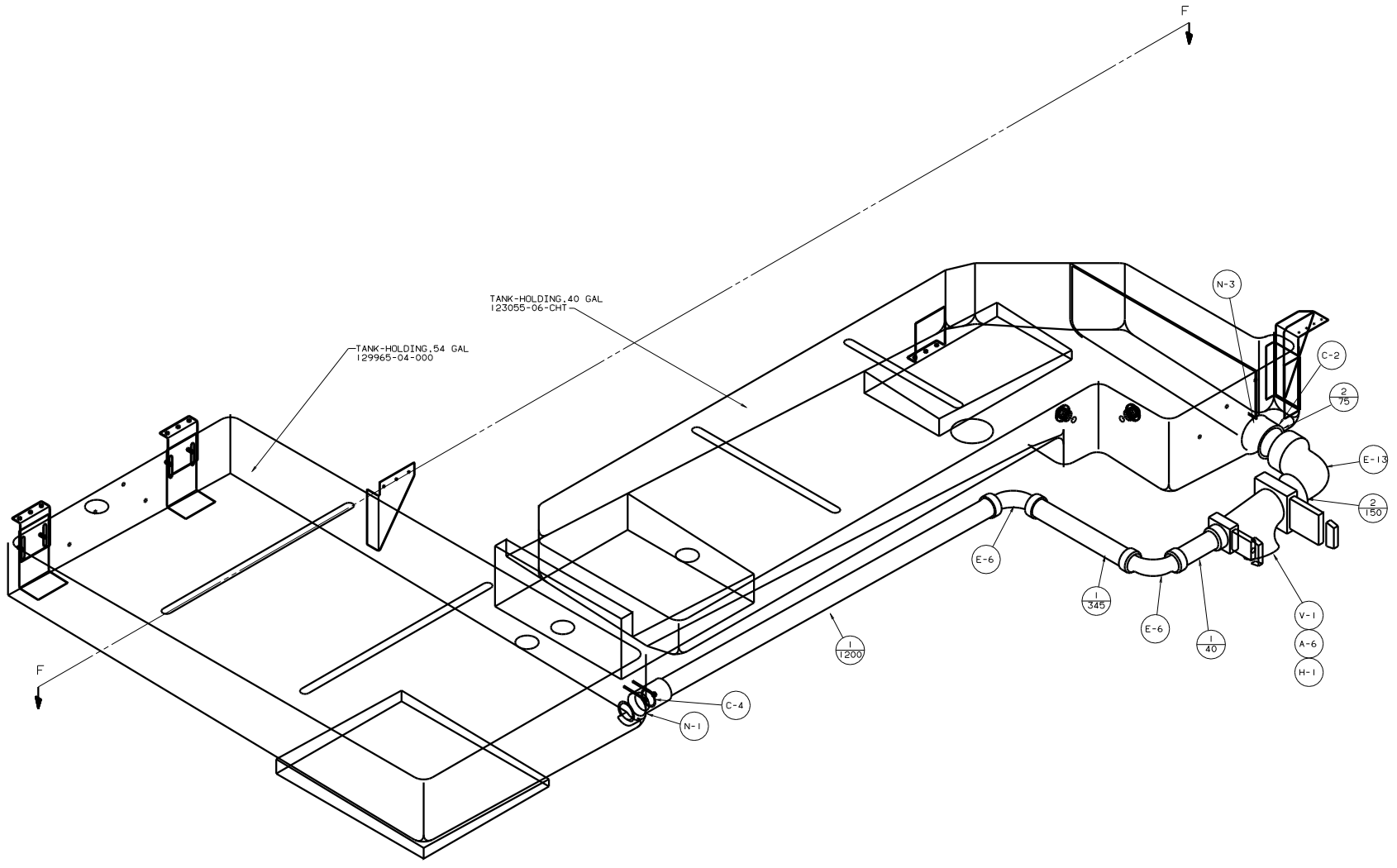


- SINK-SST,DOUBLE
- 110654-01-000 (US/CAN)
- STRAINER
- 92303-01-000 (2)
- SEAL
- 91255-02-000 (A/R)
- SCREW
- G67-06-10U (2)
- WASHER-RUBBER
- 127440-02-CHT(2)
- 44E RETAINER
- 81828-01-CHT
- 83699-15-CHT(2)
- 83699-19-CHT(3)

- SINK-LAVATORY
- 105921-01-CHT
- SEAL
- 91255-02-000 (A/R)

- SHOWER INSTL-ENCLOSURE
- 132496-01-000
- DRAIN
- 132150-01-CHT
- GASKET
- 132376-01-CHT
- NUT
- 130403-01-000
- TAILPIECE
- 11069-06-000
- WASHER
- 127440-02-CHT

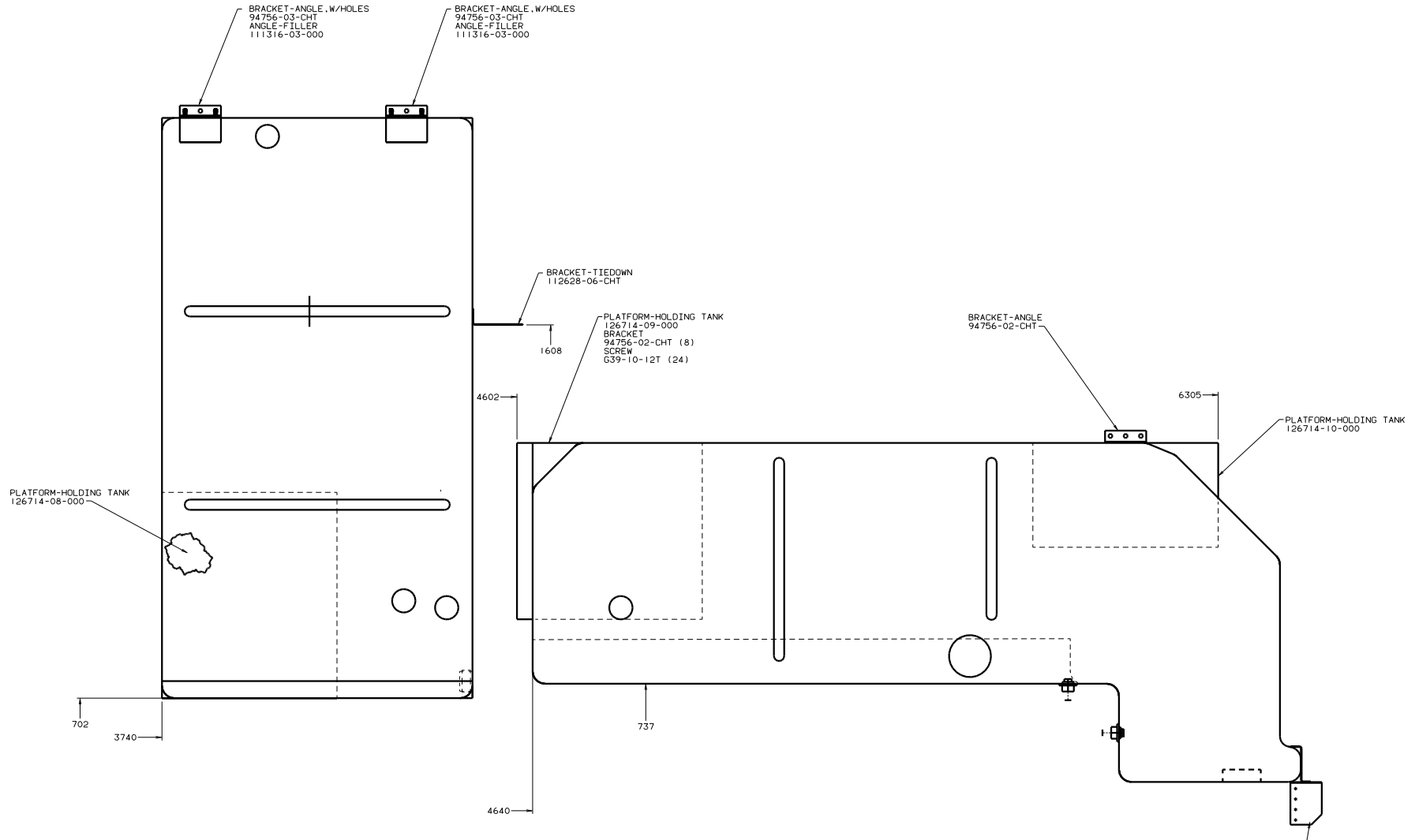




DETAIL E

00 L35U

| | | | |
|------------------------------|----------|----------------|----------|
| TITLE: DRAINAGE SYSTEM INSTL | | DWG NO: 133635 | |
| DATE: 05/01/05 | BY: J.E. | DATE: 05/01/05 | BY: J.E. |
| SHEET 3 OF 4 | | SHEET 3 OF 4 | |

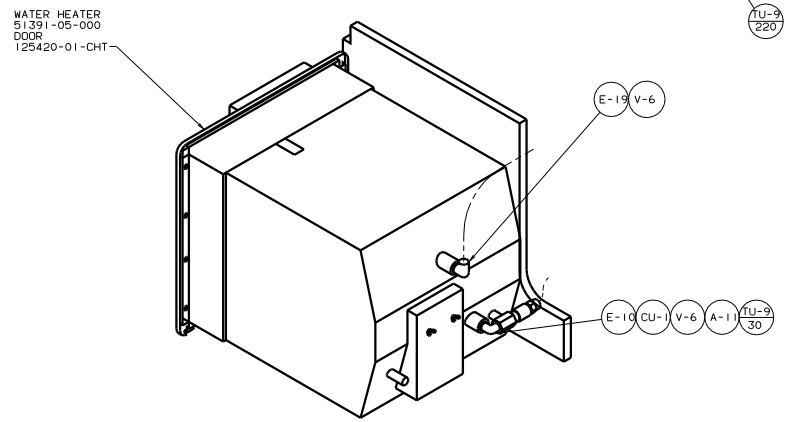
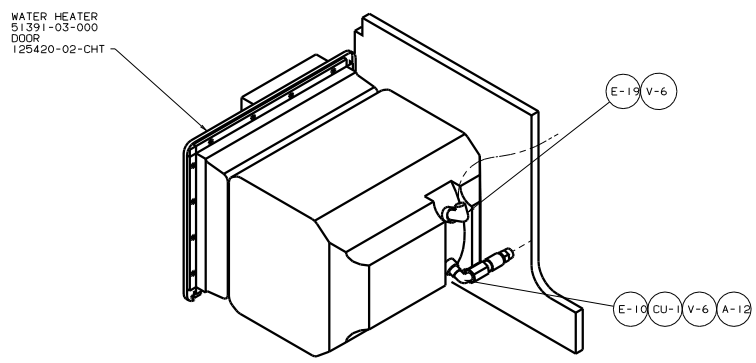
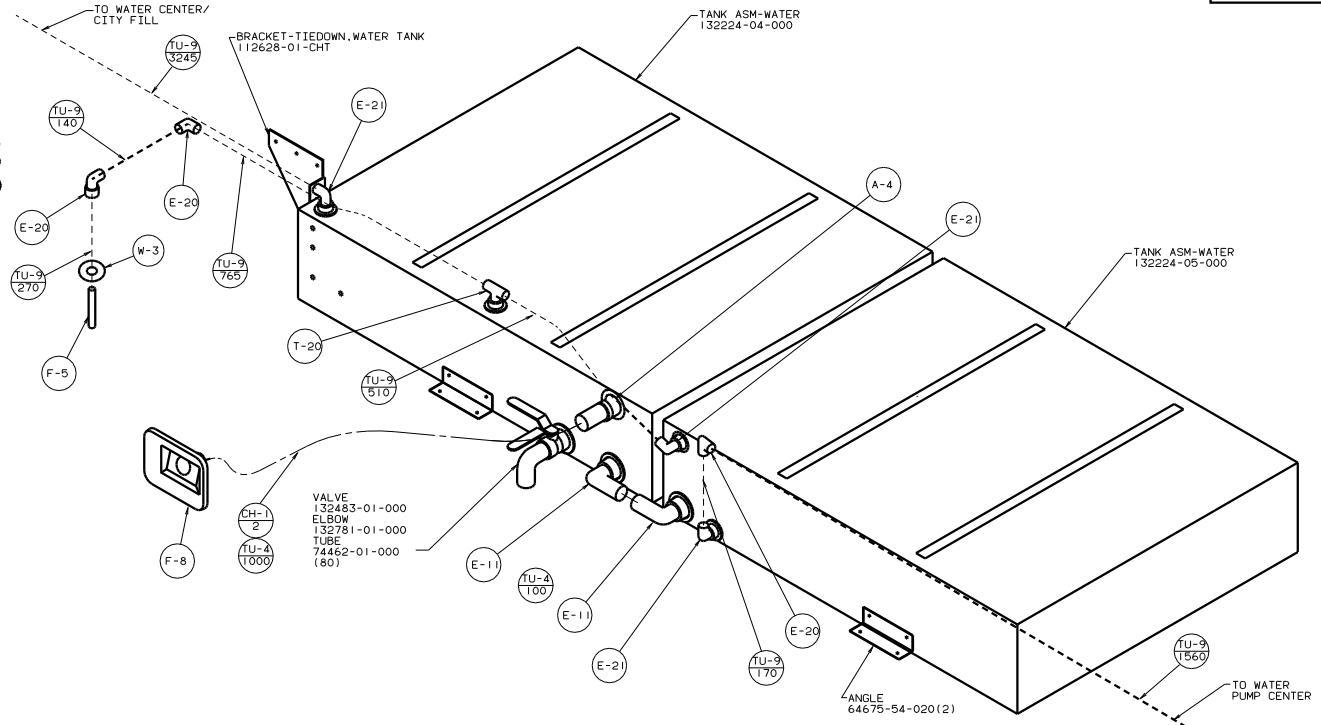
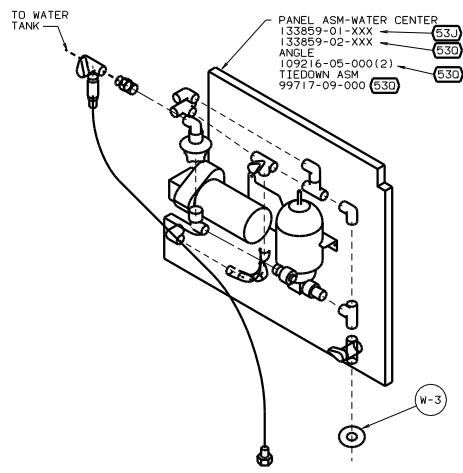


1. ALL DIMENSIONS ARE FROM FRONT AND LEFT SIDE OF UPPER FLOOR
(700.1222 FROM CENTERLINE FRONT AXLE.)

NOTES:

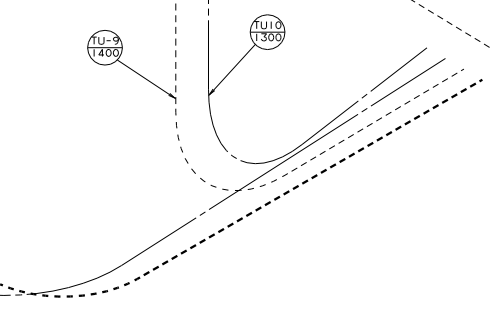
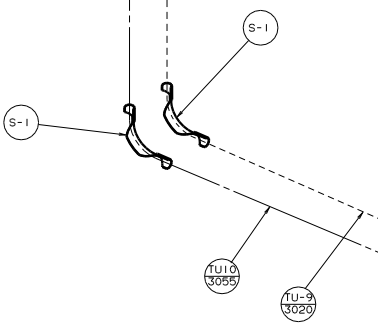
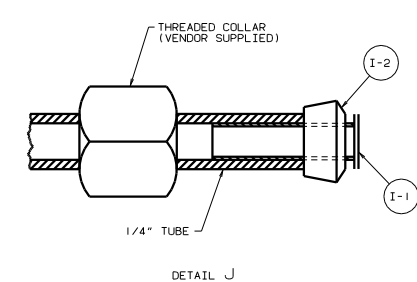
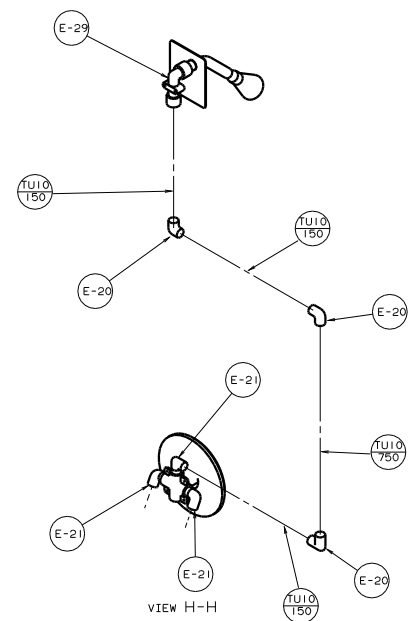
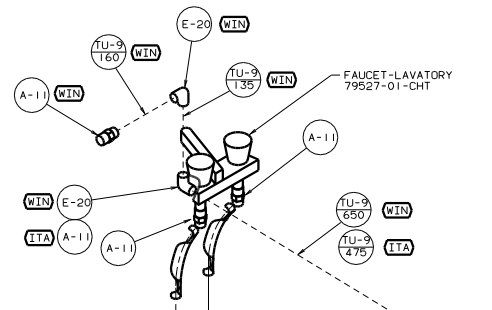
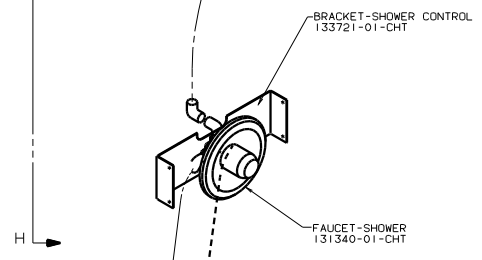
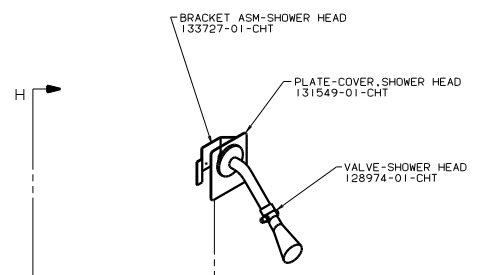
00 L35U

| | |
|-----------------------------|-----------------|
| TITLE: DRAINAGE SYSTEM INSL | |
| 30 THE BUCK GROUP | FIG. NO. 1 |
| SHEET 4 OF 4 | DWG. NO. 133635 |



H
G
F
E
D
C
B
A

8 7 6 5 4 3 2 1



DETAIL G

| | |
|---------------------------|-----------------|
| TITLE: WATER SYSTEM INSTL | |
| NO. OF SHEETS: 4 | SHEET: 4 OF 4 |
| DATE: 11/11/05 | DWG. NO: 133636 |