

DETAIL E

SHOWER INSTL-ENCLOSURE
 131620-03-000
 DRAIN
 132150-01-CHT
 NU1-SLID
 130403-01-000
 TAILPIECE
 11069-06-000

VIEW D-D (140)

00 L34Y

TITLE		DRAINAGE SYSTEM INSTL	
NO. OF SHEETS	TOTAL SHEETS	FIG. NO.	132899
SHEET 3	OF 4	1/E	

PLATFORM-HOLDING TANK
126714-01-000

BRACKET-TIEDOWN, HOLDING TANK
126846-01-CHT

PLATFORM-HOLDING TANK
126714-03-000

BRACKET-HOLDING TANK
126796-01-CHT

PLATFORM-HOLDING TANK
126714-02-000

BRACKET-HOLDING TANK
126796-02-CHT

4058

5036

4008

648

388

5349

BRACKET-TIEDOWN
112628-01-CHT

BRACKET-HOLDING TANK
127032-01-CHT

VIEW F-F

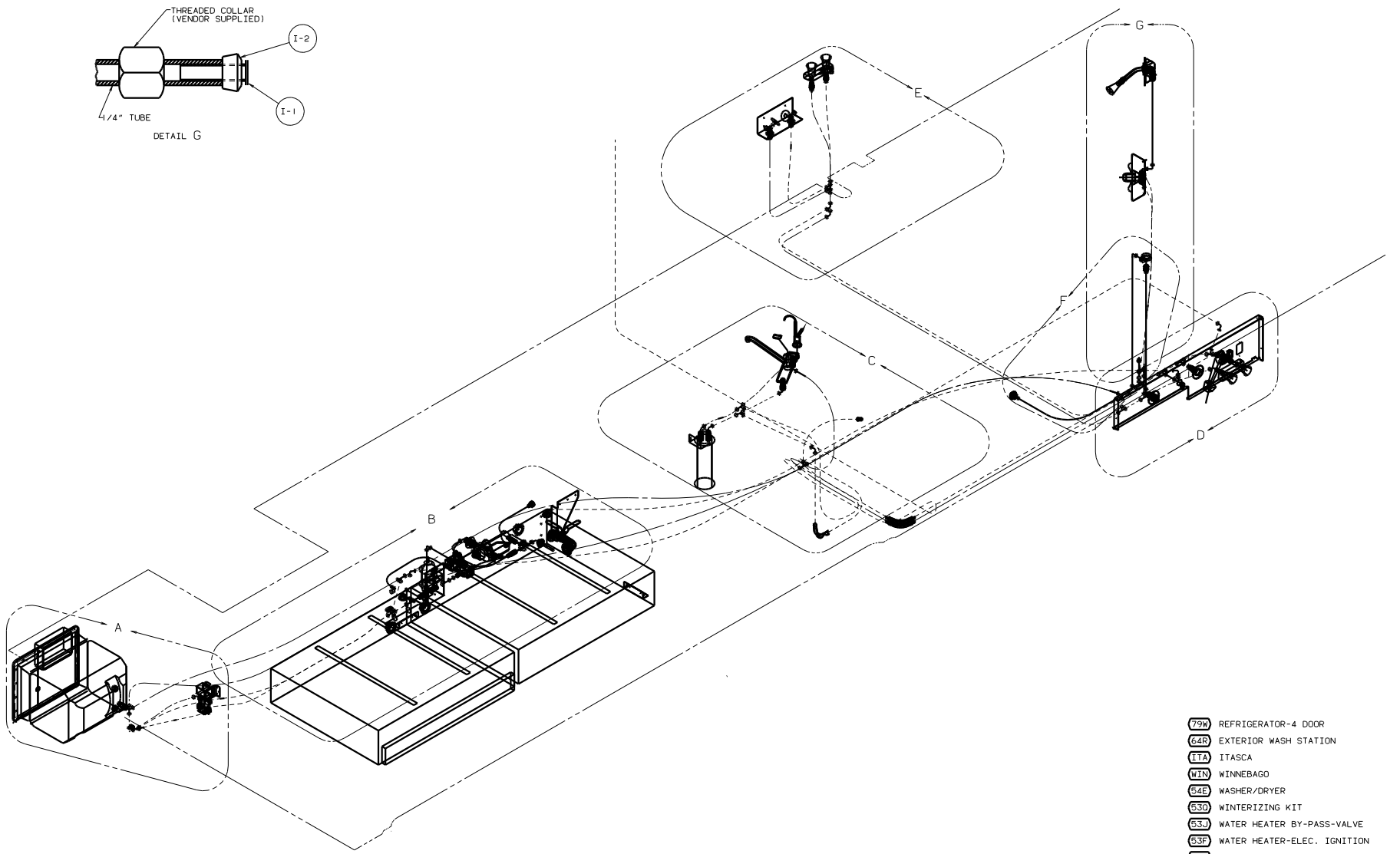
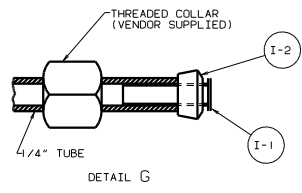
00 L34Y

TITLE: DRAINAGE SYSTEM INSTL	
NO. OF SHEETS: 4	SHEET: 4 OF 4
REV. NO.:	132899

DWG NO
133042-01
133042-02

WIN
ITA

RELEASE A1 DATE 07/10/05 DWG NO 133042
REV. DATE REVISION RECORD DATE BY:GIB



- (79W) REFRIGERATOR-4 DOOR
- (64R) EXTERIOR WASH STATION
- (ITA) ITASCA
- (WIN) WINNEBAGO
- (54E) WASHER/DRYER
- (530) WINTERIZING KIT
- (53U) WATER HEATER BY-PASS-VALVE
- (53F) WATER HEATER-ELEC. IGNITION
- (15U) REFRIGERATOR/FRZR W/ICEMAKER
- (1B2) WTR HTR-10GAL/ELEC/LP/MTRAIID

3. ALL TUBING TO BE SECURED AT 1200 INTERVALS MAXIMUM WITH CLAMP 10495-01-000 OR CLIP 91951-01-00 AND SCREW G67-10-12B.

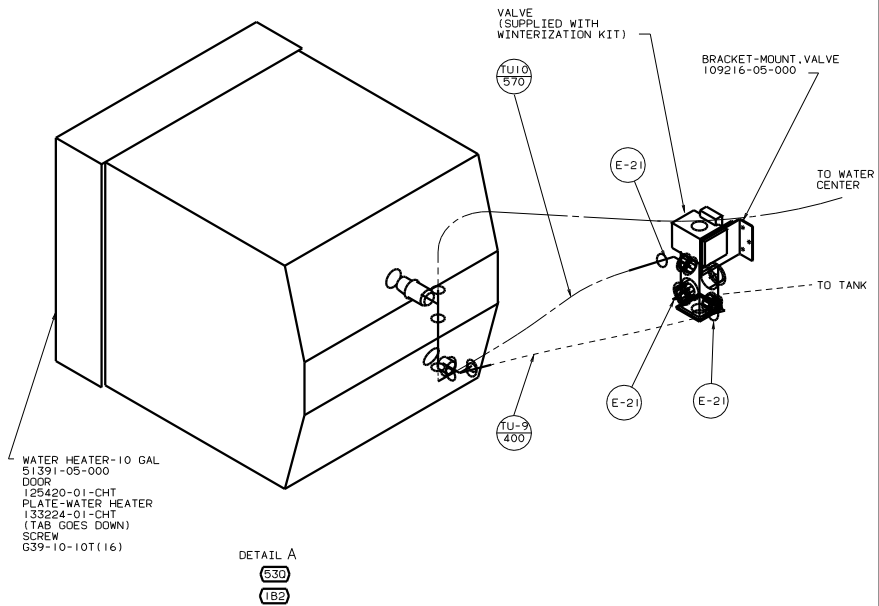
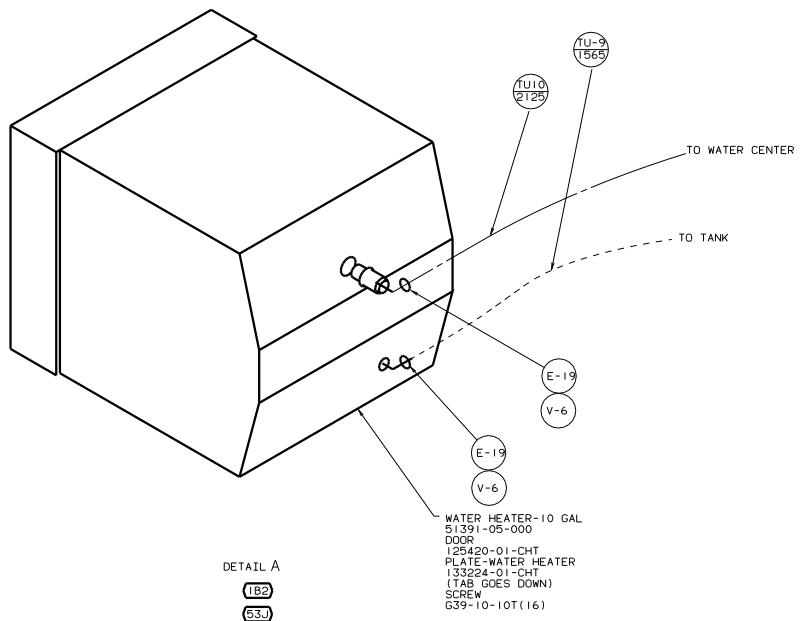
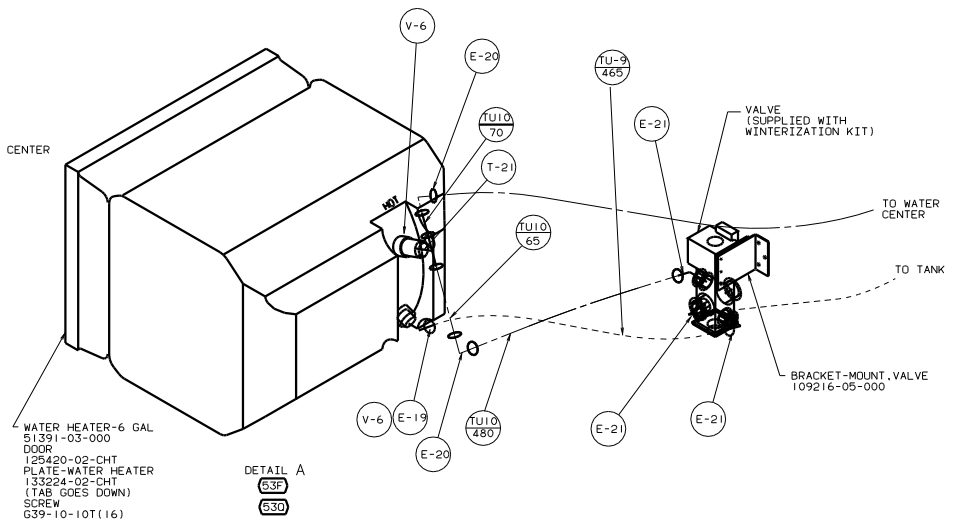
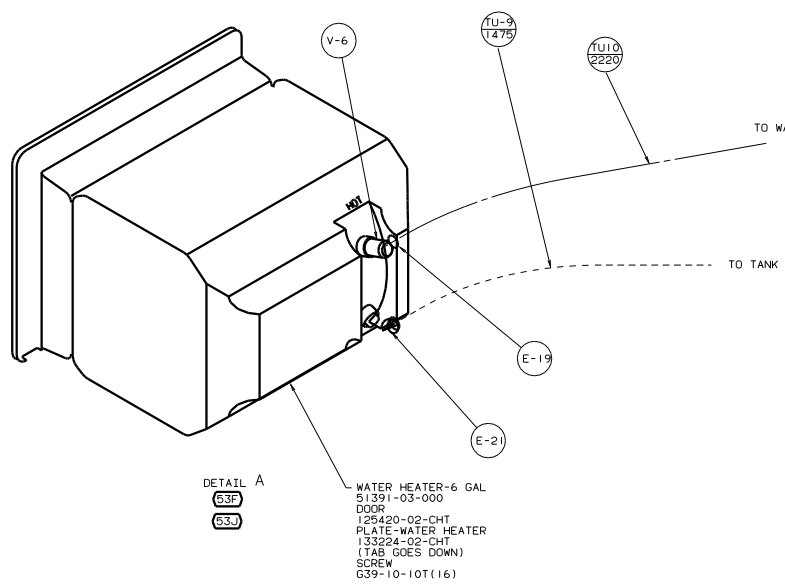
2. TUBING TO BE INSTALLED WITH SUFFICIENT SLOPE TO PROVIDE DRAINAGE TO NEAREST VALVE.

1. PLASTIC FITTINGS TO BE SEALED WITH SEALANT 84456-01-000.

- (6) FLUSHING SYSTEM REQUIRES 125697-06-000 INSTL. SHEET.
- (5) USE DETAIL "G" IN THIS AREA.
- (4) CLAMPS MUST BE ON BARBS.

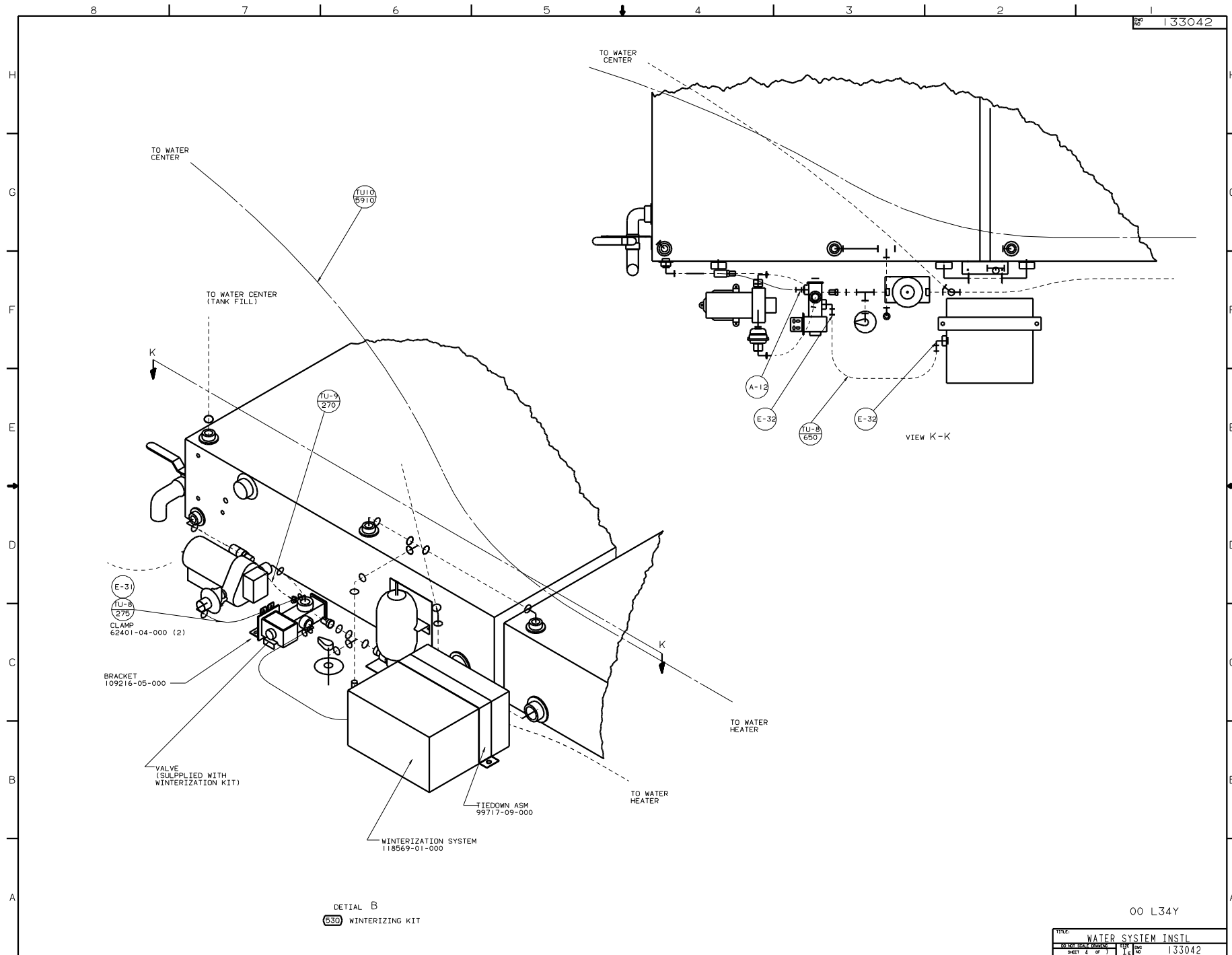
LEGEND		DATE		UNDESIGNED TOLERANCES ARE:	
HOT	-----	DRAWN	DATE	WHOLE DIM (IN)	FRACTIONAL
COLD	-----	CHECKED	DATE	ONE-PLACE (IN, INI)	----
		DATE		TWO-PLACE (IN, INI)	----
		DATE		THREE-PLACE (IN, INI)	----
		DATE		THIRD-ANGLE PROJECTION	

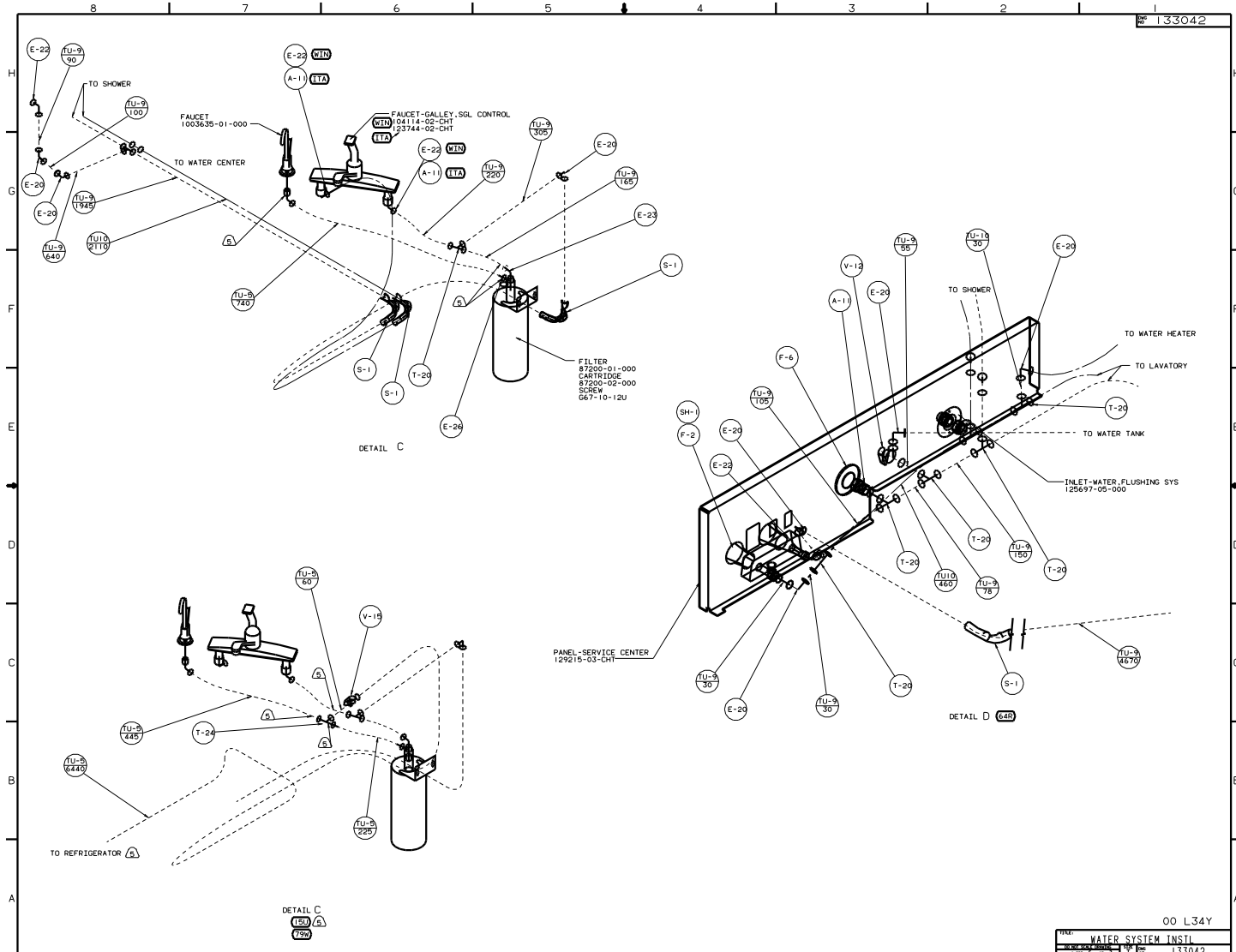
FOR WATER CALLOUTS SEE DWG NO. 116230-01-000		TITLE: WATER SYSTEM INSTL	
L34Y	L34Y	NO. 1	NO. 7
SCALE: NONE	SCALE: NONE	SHEET 1	SHEET 7
ALL DIMENSIONS ARE IN MILLIMETERS		DWG NO. 133042	

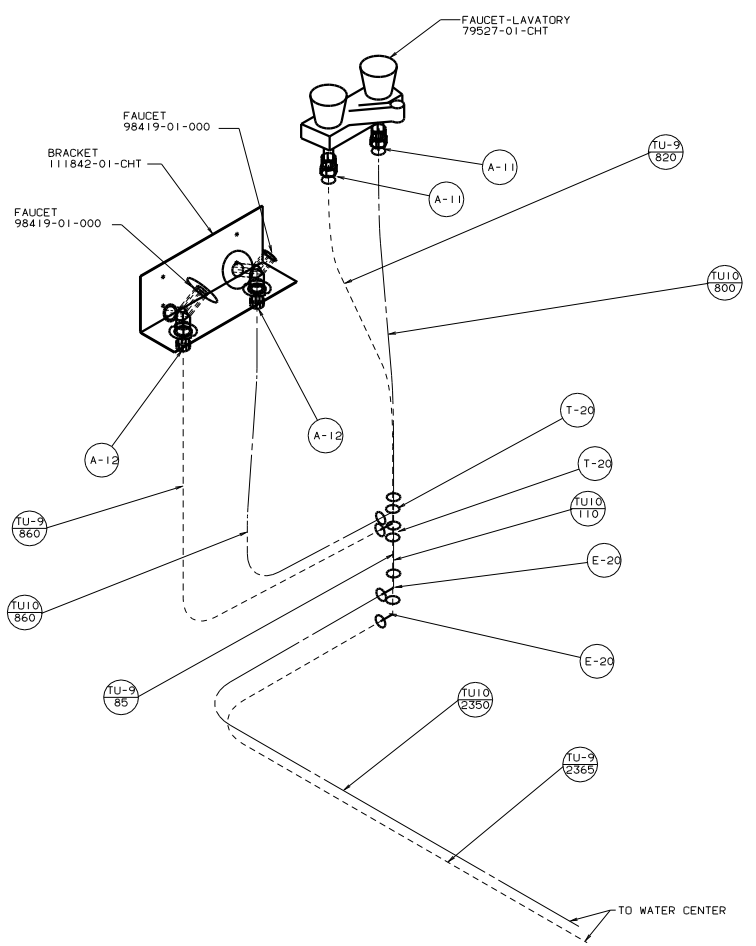


00 L34Y

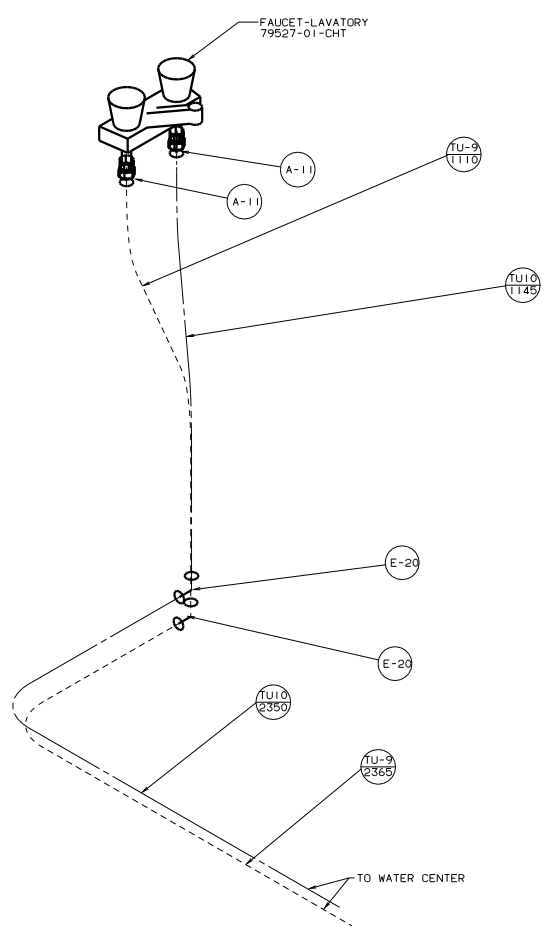
TITLE		WATER SYSTEM INSTL	
NO. OF SHEETS	2 OF 7	REV	1.0
		DATE	133042







DETAIL E (54E)



DETAIL E (211)

