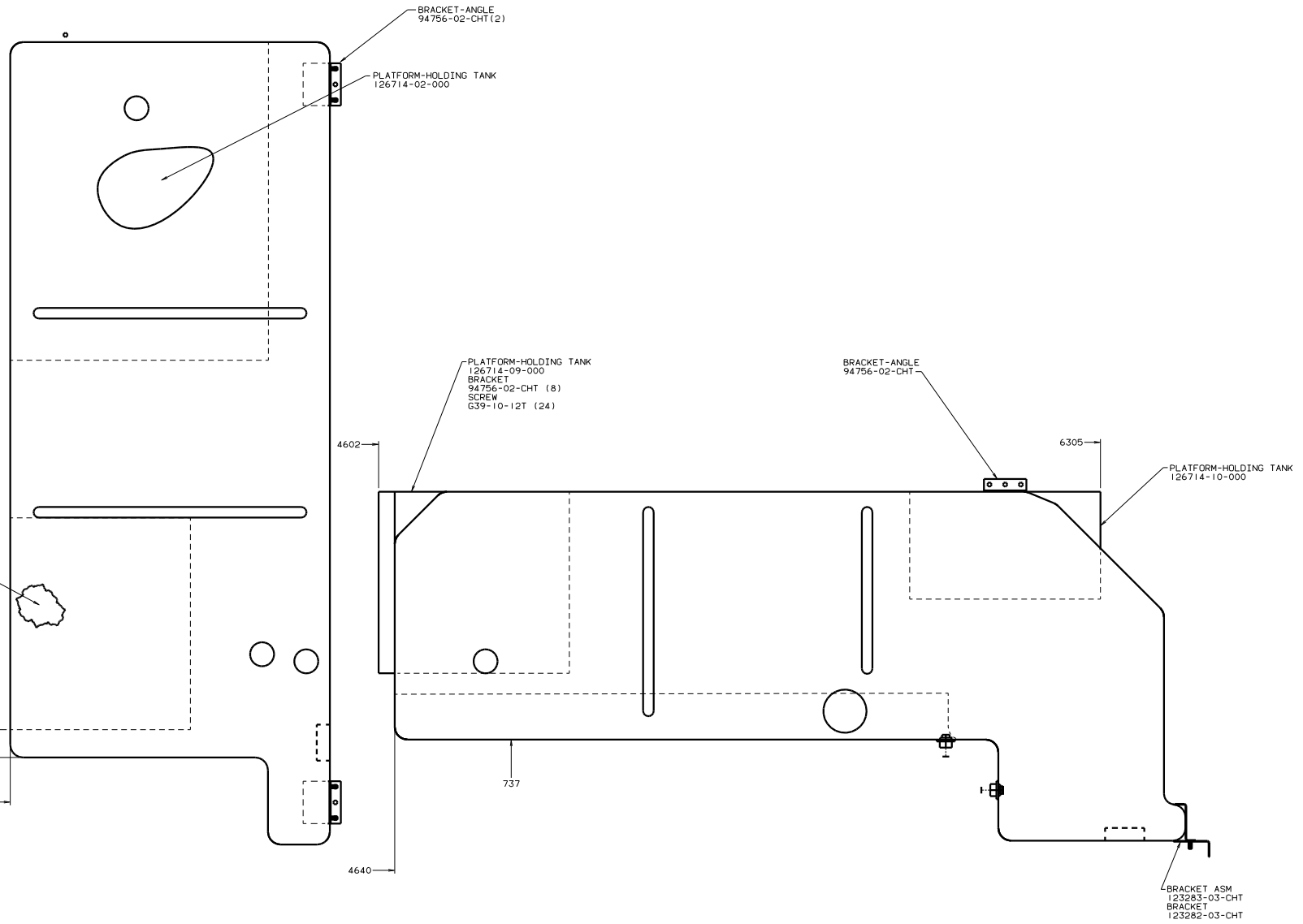


DETAIL E



VIEW F-F

1. ALL DIMENSIONS ARE FROM FRONT AND LEFT SIDE OF UPPER FLOOR
(700.1222 FROM CENTERLINE FRONT AXLE.)

NOTES:

00 G35U

TITLE: DRAINAGE SYSTEM INSTL	
30 THE BUCK BUILDING	100
SHEET 4 of 4	132657

TO WATER TANK

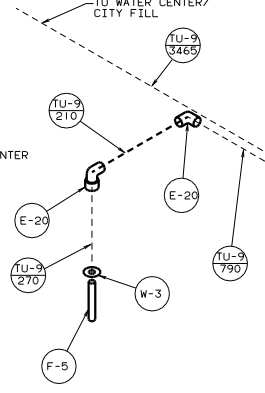
BRACE
79804-01-CHT (3)
SCREW
G67-10-12B (6)

PANEL ASM-WATER CENTER
132868-01-XXX

S-1

W-3

VIEW B-B



VALVE
132483-01-000
TUBE
74462-01-000 (75)
ELBOW
132781-01-000
TUBE
74462-01-000 (150)

CH-1
2

F-8

TU-4
1000

TANK ASM-WATER
132224-04-000

E-21

A-4

E-21

T-22

TU-9
510

TANK ASM-WATER
132224-05-000

E-11

TU-4
100

E-11

E-21

VIEW A-A

STL-ANGLE
64675-54-020 (3)

E-20

TU-9
170

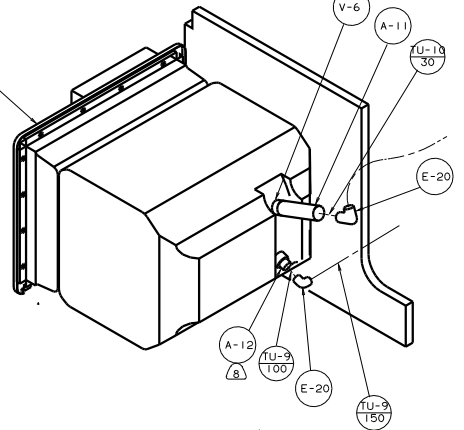
TU-9
170

TO WATER PUMP

E-20

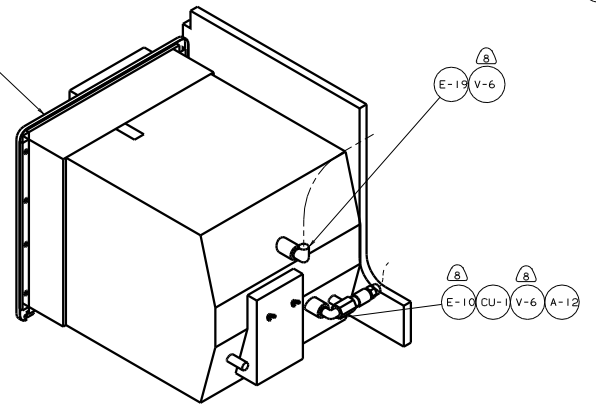
TU-9
170

WATER HEATER
51391-03-000
DOOR
125420-04-CHT



DETAIL C 53F

WATER HEATER
51391-05-000
DOOR
125420-03-CHT



DETAIL C 1B2

00 G35U

