

9. SECURE VENT TUBES TO FLOOR WITH BRACKET.
8. VENT PIPE MUST PROJECT 51 MM MIN AND 64 MM MAX ABOVE ROOF FOR PROPER FIT AND FUNCTION.
7. SEE DWG 61607-01-000 FOR INSTL OF GROMMETS.
6. SEAL ALL AROUND SHOWER WITH SILICONE.
5. EXPOSED PIPE ABOVE ROOF TO BE PAINTED WITH 37163-01-000.
4. ALL EXTERIOR OPENINGS AROUND PIPE TO BE SEALED WITH 11074-01-000.
3. ALL PIPE AND FITTINGS TO BE ASSEMBLED WITH SOLVENT 4020-01-000.
2. SLOPE OF TRAP ARM MUST BE 6 PER 305.
1. SLOPE OF HORIZONTAL PIPING TO BE 6 PER 305 MIN.
- NOTES:

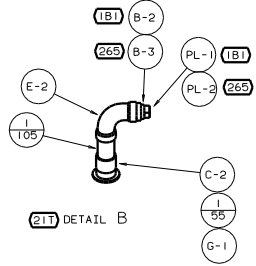
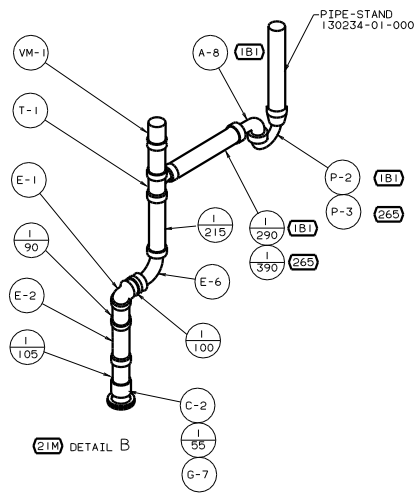
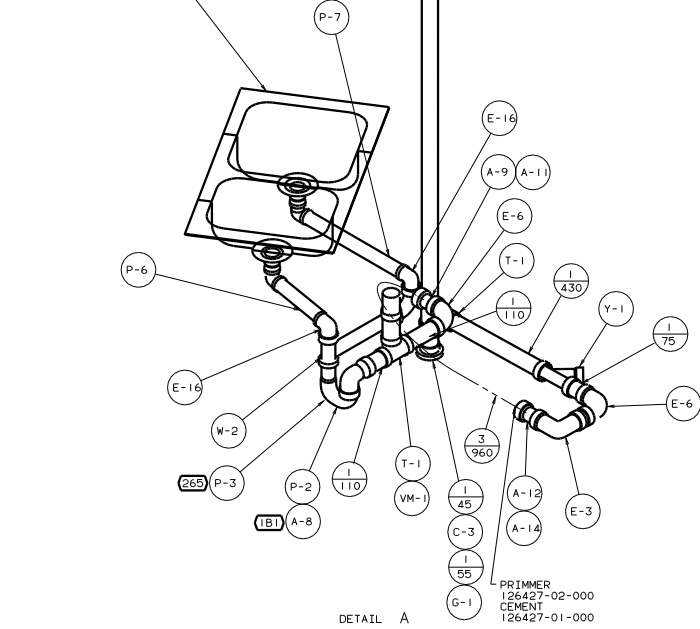
- 44E COUNTERTOP-SOLID SURFACE
- 44D COUNTERTOP-LAMINATE W/WOOD
- 21T WASHER/DRYER-WITHOUT
- 21M WASHER/DRYER PREP
- WIN WINNEBAGO ONLY
- ITA ITASCA ONLY
- 265 CODES/STANDARDS-CSA/CMVSS
- 1B1 CODES/STANDARDS USA

FOR DRAINAGE CALLOUTS SEE DWG NO. 116229-01-000

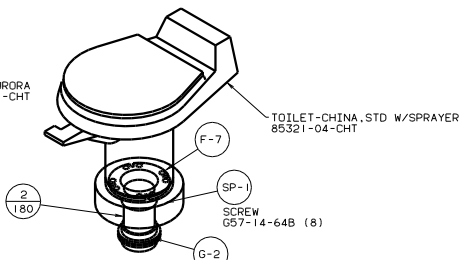
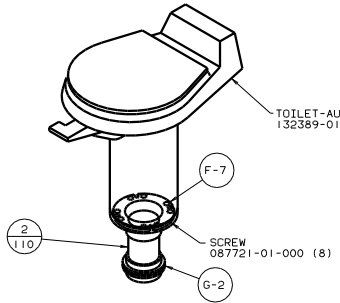
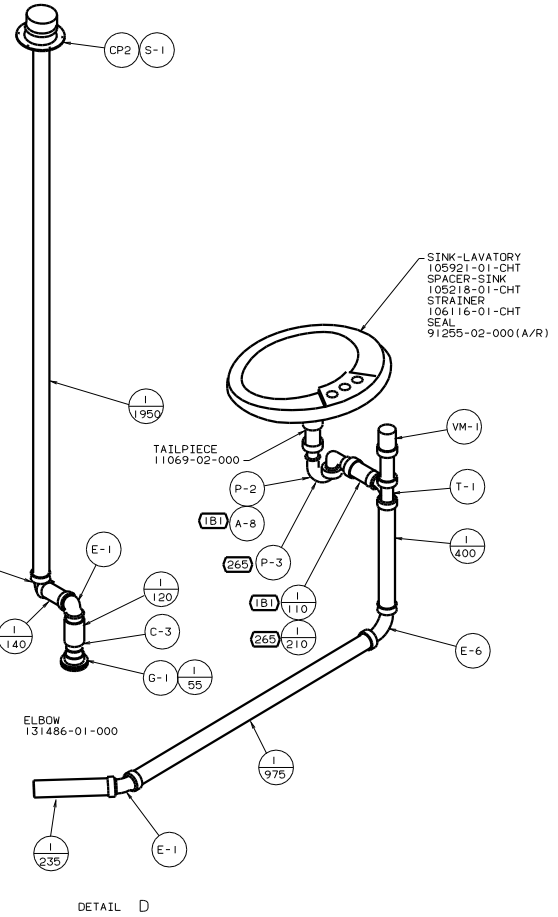
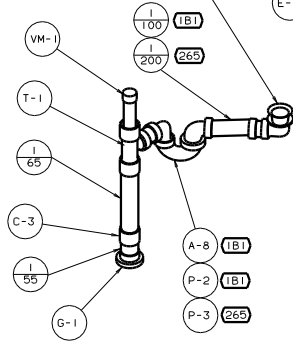
DATE		UNSPECIFIED TOLERANCES ARE:		MATERIAL	
DATE	DATE	WHOLE DIM (1:1)	1/8"	DATE	DATE
DATE	DATE	ONE-PLACE (1:1)	1/16"	DATE	DATE
DATE	DATE	TWO-PLACE (1:1)	1/32"	DATE	DATE
DATE	DATE	THREE-PLACE (1:1)	1/64"	DATE	DATE
DATE	DATE	INDIC. WHOLE PROJECTION	1/16"	DATE	DATE

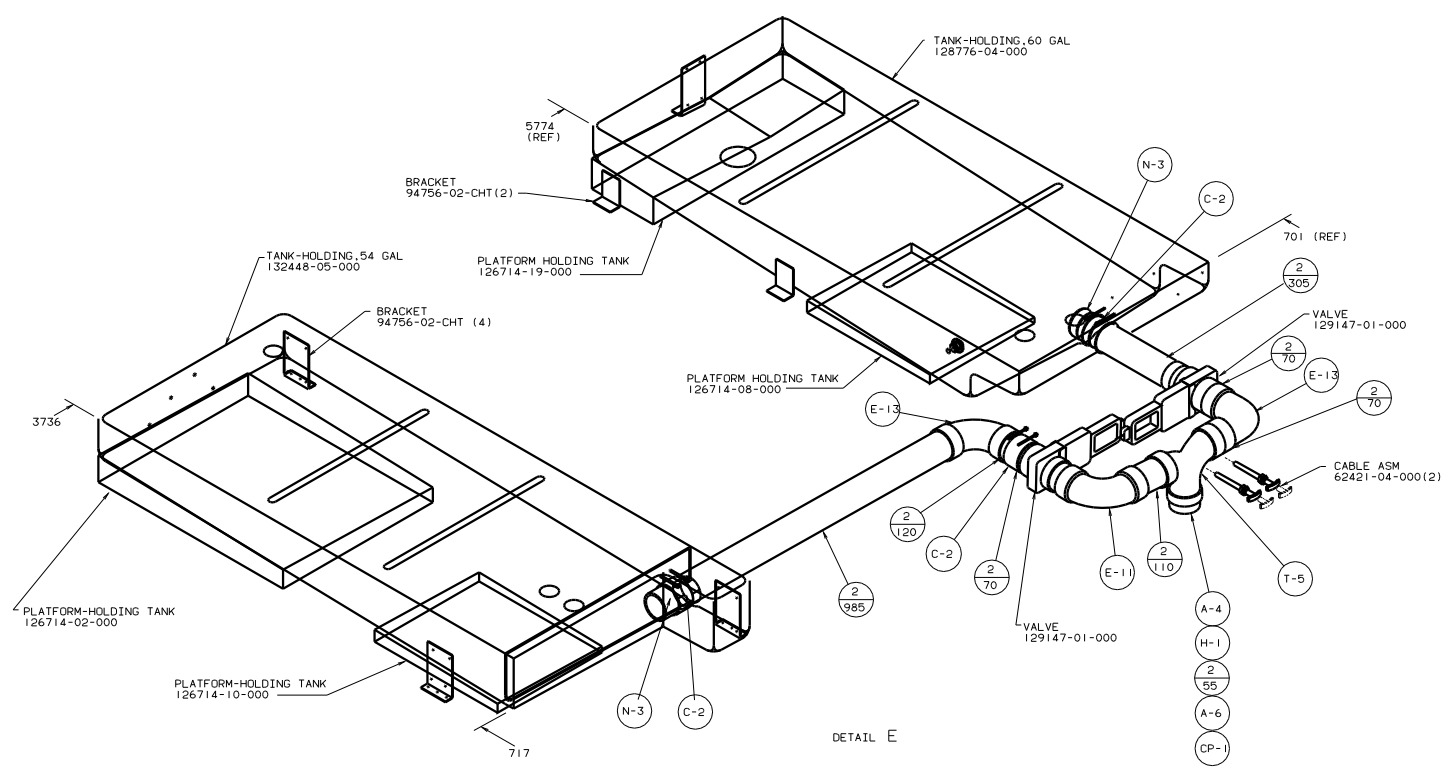
WINNEBAGO 00 G35B
 LAYOUT NO. 00G35B TITLE: DRAINAGE SYSTEM INSTL
 DIA # SCALE: NONE TO THE SCALE: NONE DIA # SCALE: NONE
 ALL DIMENSIONS ARE IN MILLIMETERS SHEET 1 OF 3 FIG NO 133904
 REF: 132302 C I

- SINK-SST.DOUBLE
110654-01-000 (US/CAN)
- STRAINER
92303-01-000 (2)
- SEAL
91255-02-000 (A/R)
- RETAINER
105497-01-000(2)
- 105497-02-000(2)
- 83125-02-000
- 77351-30-000(3)
- 77351-32-000(2)
- SCREW
G67-06-10U (2)
- WASHER-RUBBER
127440-02-DHT (2)

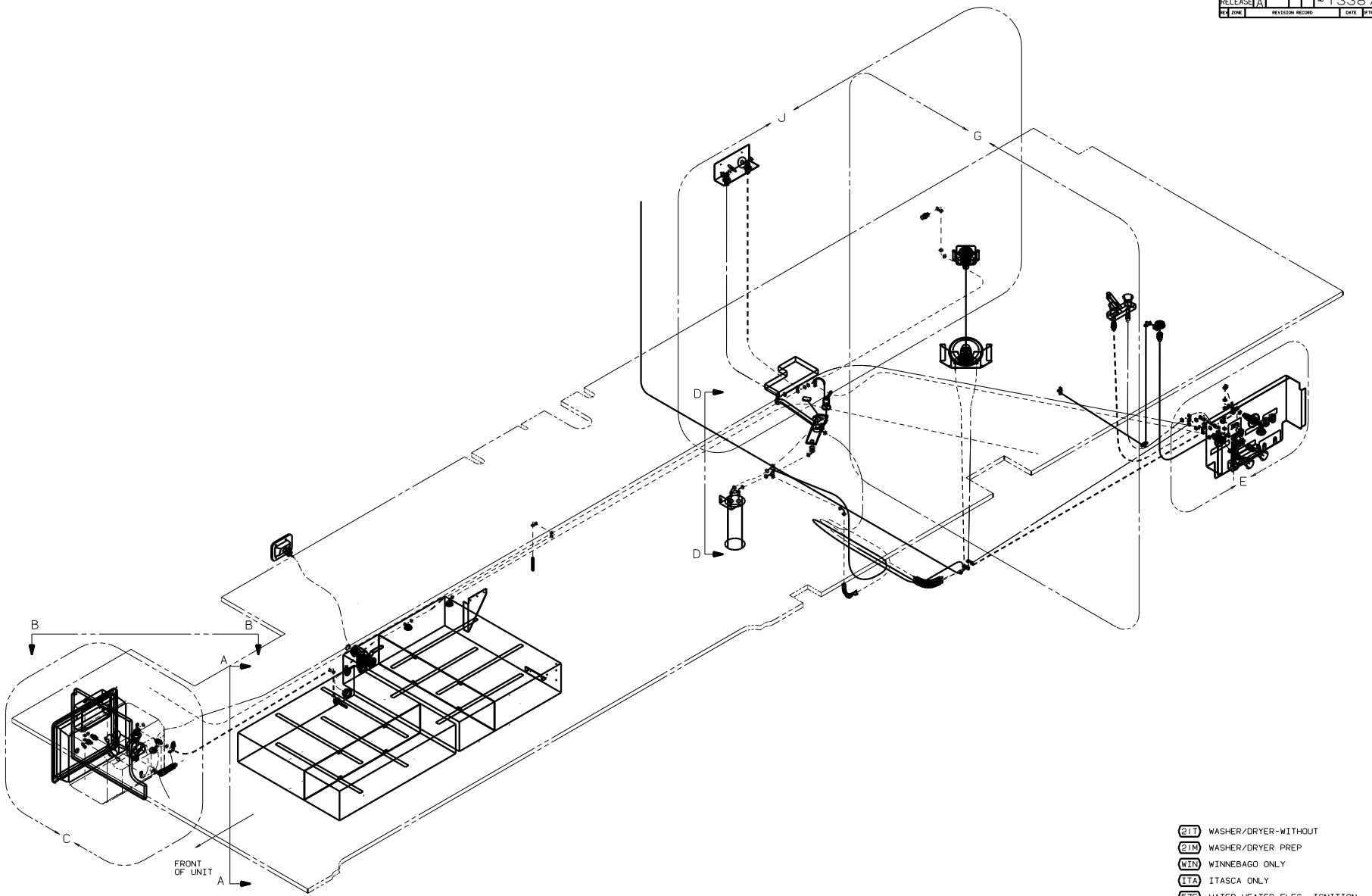


- SHOWER-INSTL-ENCLOSURE
131620-04-000
- DRAIN
132150-01-CHT
- SEALER
69640-01-000
- NUT
130403-01-000
- TAILPIECE
11069-06-000
- WASHER
127440-02-CHT





DETAIL E



- 1. PLASTIC FITTINGS TO BE SEALED WITH SEALANT 84456-01-000.
- 2. TUBING TO BE INSTALLED WITH SUFFICIENT SLOPE TO PROVIDE DRAINAGE TO THE NEAREST VALVE.
- 3. ALL TUBING TO BE SECURED AT 1200 INTERVALS MAX WITH CLAMP 10495-01-000 OR CLIP 91951-01-000 AND SCREW G67-10-12B.
- 4. FLUSHING SYSTEM REQUIRES 125697-06-000 INSTRUCTION SHEET.
- 5. USE DETAIL "J" IN THIS AREA (BOTH ENDS OF TUBING).
- 6. ADD TEFLON TAPE 10405-02-000 TO FITTING.

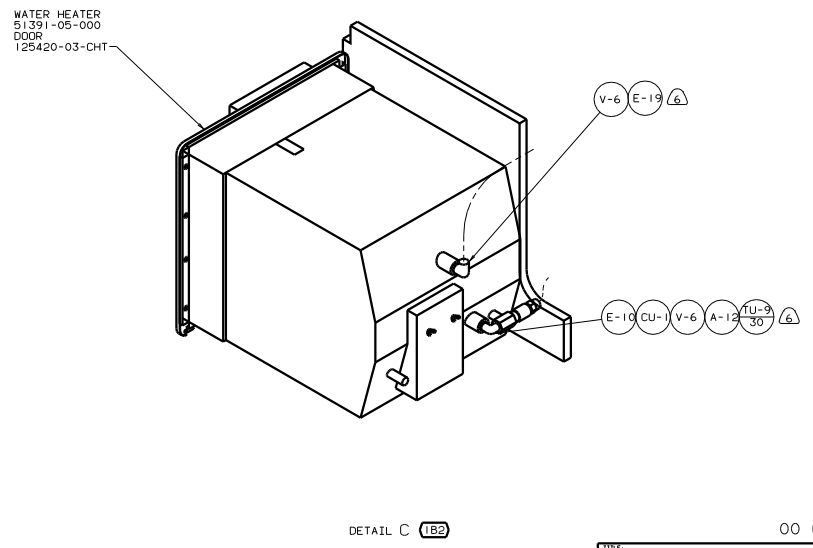
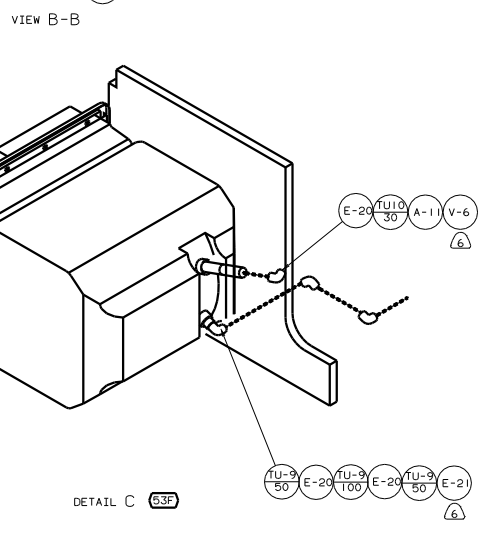
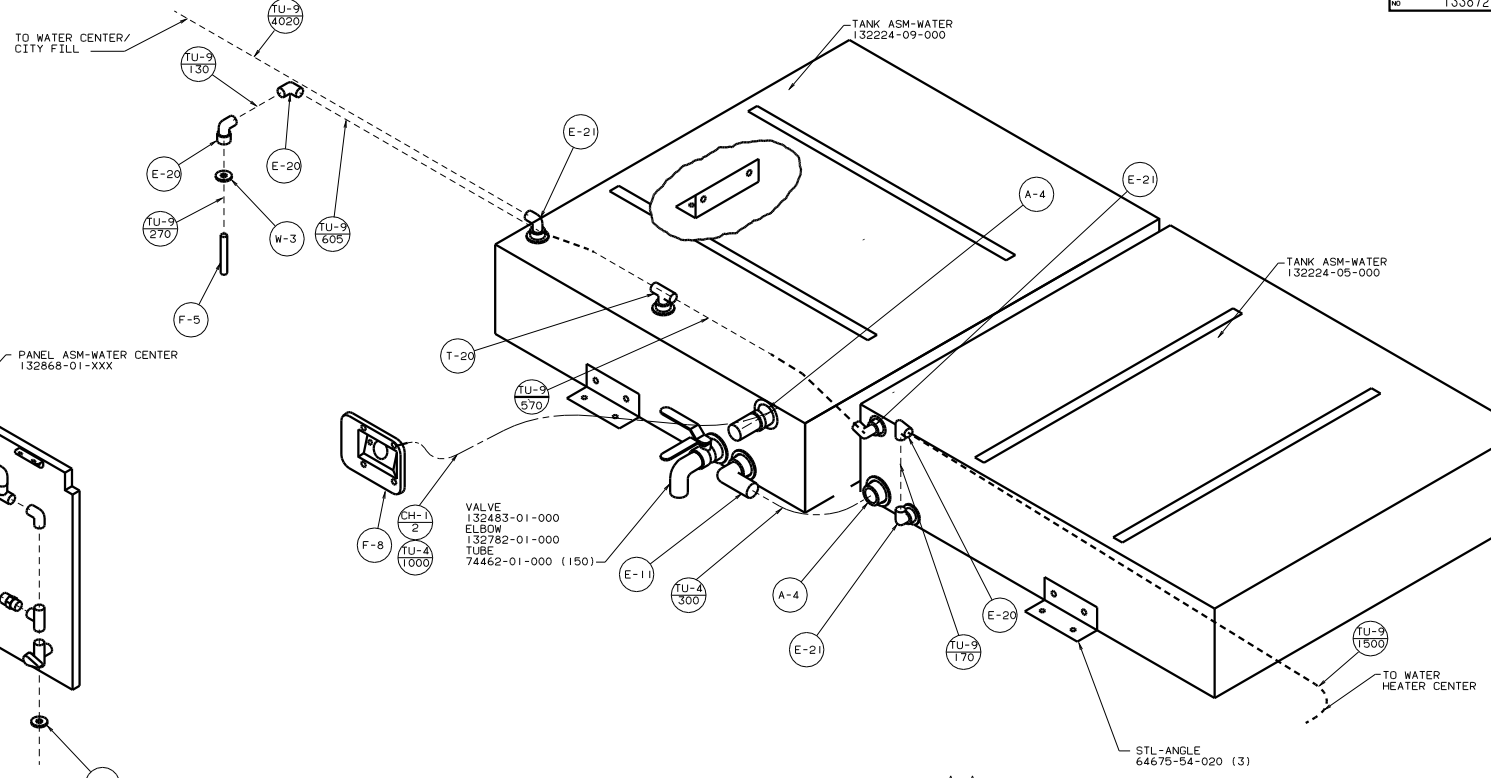
FOR WATER CALLOUTS SEE DWG NO. 116230-01-000

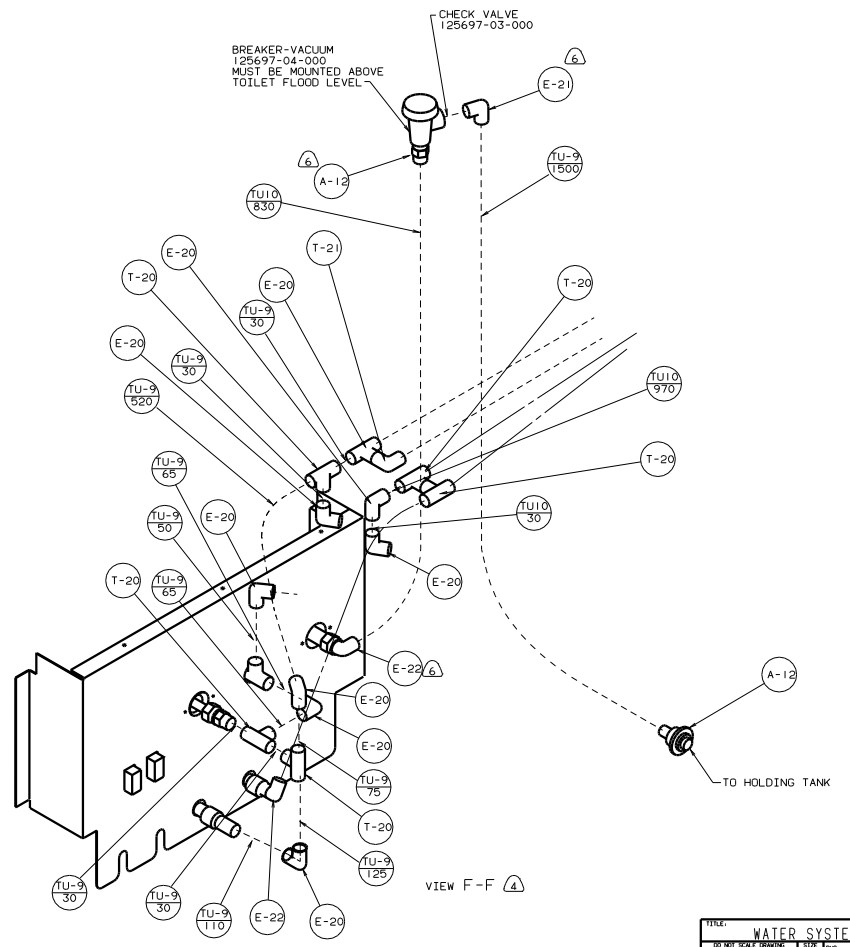
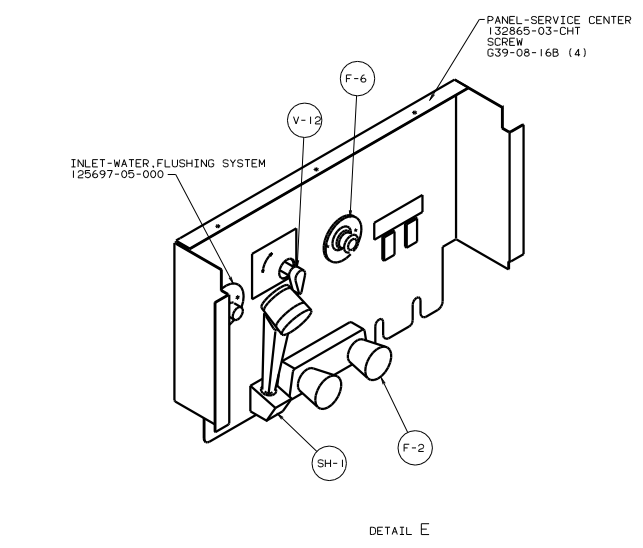
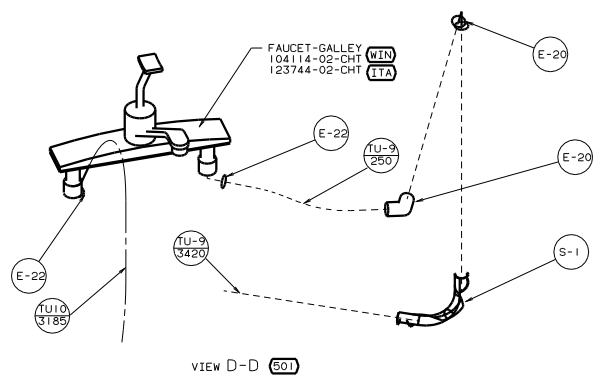
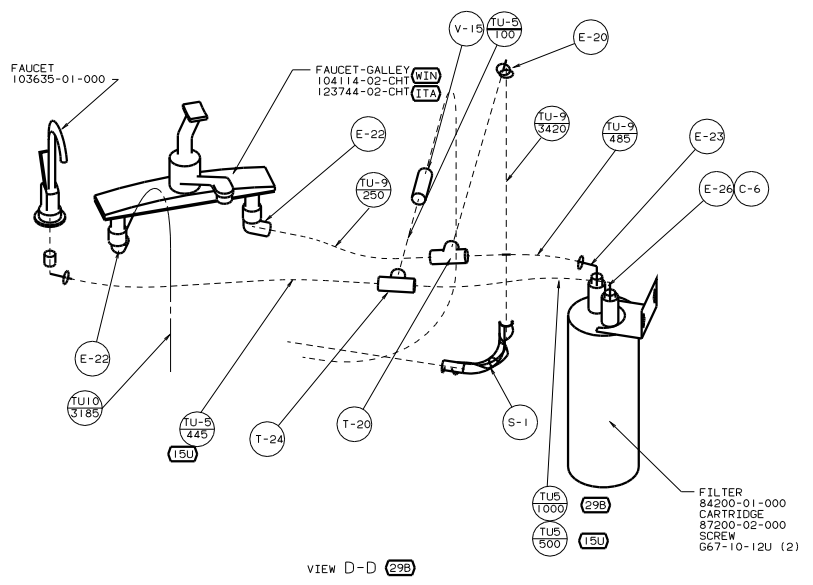
LEGEND	
HOT	●●●●●
COLD	●●●●●

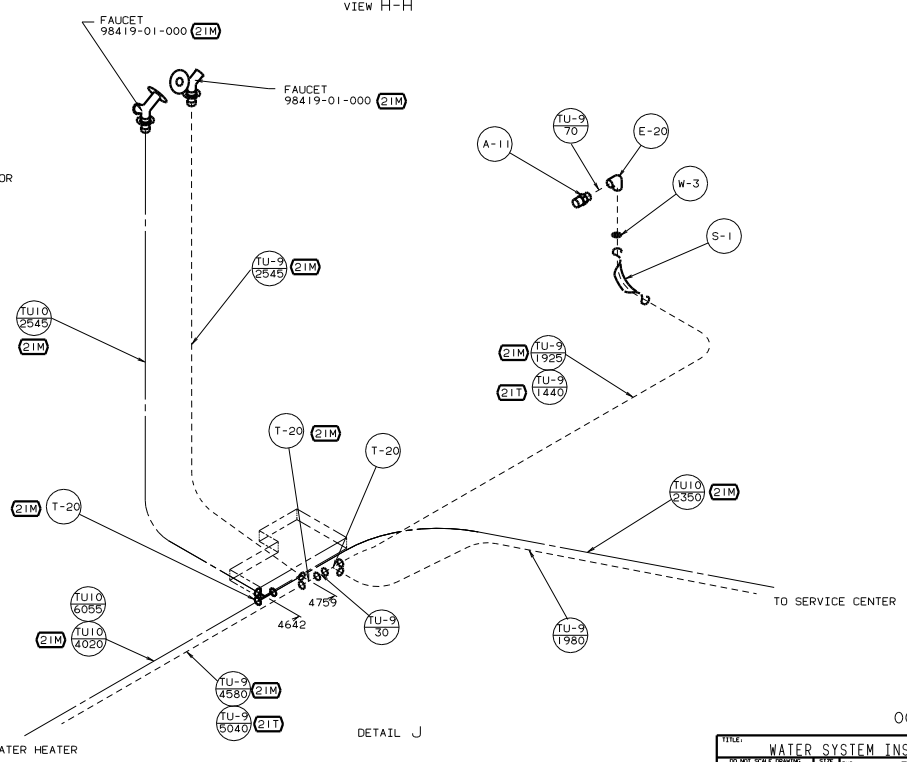
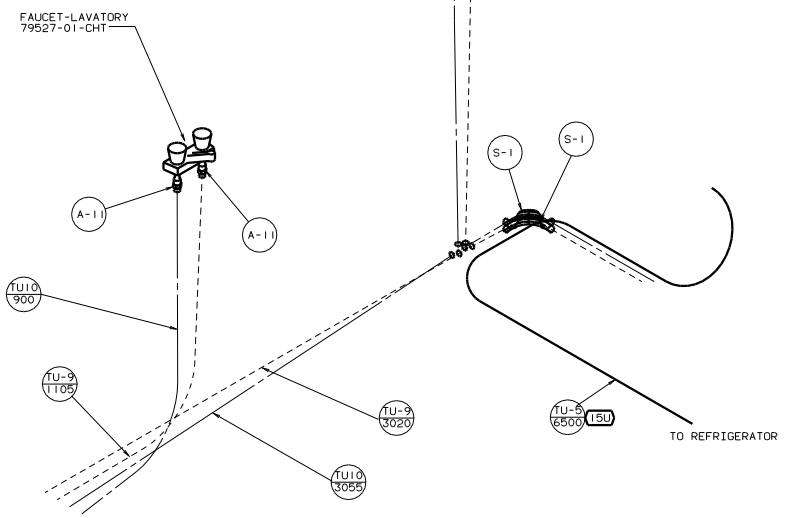
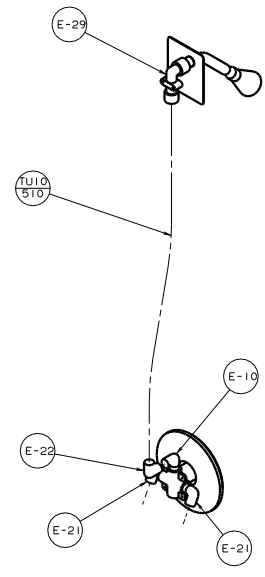
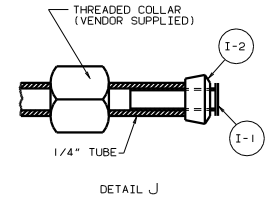
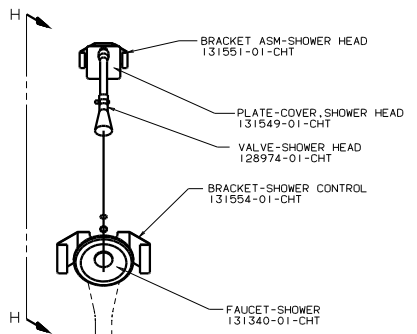
- (217) WASHER/DRYER-WITHOUT
- (21M) WASHER/DRYER PREP
- (WIN) WINNEBAGO ONLY
- (ITA) ITASCA ONLY
- (53F) WATER HEATER-ELEC. IGNITION
- (501) WATER PURIFIER WITHOUT
- (29B) WATER PURIFIER
- (15U) REFRIGERATOR/FRZR W/ICEMAKER
- (1B2) WTR HTR-10GAL/ELEC/LP/MTRAD

		00 G358
DATE	UNDESIGNED TOLERANCES ARE:	MATERIAL
DATE	WHOLE OR .01	F
DATE	ONE-PLACE (X.X1)	.
DATE	TWO-PLACE (X.XX)	.
DATE	THREE-PLACE (X.XXX)	.
DATE	FOUR-PLACE (X.XXXX)	.
DATE	FIVE-PLACE (X.XXXXX)	.
DATE	SIX-PLACE (X.XXXXXX)	.
DATE	SEVEN-PLACE (X.XXXXXXX)	.
DATE	EIGHT-PLACE (X.XXXXXXX)	.
DATE	NINE-PLACE (X.XXXXXXX)	.
DATE	TEN-PLACE (X.XXXXXXX)	.
DATE	ELEVEN-PLACE (X.XXXXXXX)	.
DATE	TWELVE-PLACE (X.XXXXXXX)	.
DATE	THIRTEEN-PLACE (X.XXXXXXX)	.
DATE	FOURTEEN-PLACE (X.XXXXXXX)	.
DATE	FIFTEEN-PLACE (X.XXXXXXX)	.
DATE	SIXTEEN-PLACE (X.XXXXXXX)	.
DATE	SEVENTEEN-PLACE (X.XXXXXXX)	.
DATE	EIGHTEEN-PLACE (X.XXXXXXX)	.
DATE	NINETEEN-PLACE (X.XXXXXXX)	.
DATE	TWENTY-PLACE (X.XXXXXXX)	.
DATE	TWENTY-ONE-PLACE (X.XXXXXXX)	.
DATE	TWENTY-TWO-PLACE (X.XXXXXXX)	.
DATE	TWENTY-THREE-PLACE (X.XXXXXXX)	.
DATE	TWENTY-FOUR-PLACE (X.XXXXXXX)	.
DATE	TWENTY-FIVE-PLACE (X.XXXXXXX)	.
DATE	TWENTY-SIX-PLACE (X.XXXXXXX)	.
DATE	TWENTY-SEVEN-PLACE (X.XXXXXXX)	.
DATE	TWENTY-EIGHT-PLACE (X.XXXXXXX)	.
DATE	TWENTY-NINE-PLACE (X.XXXXXXX)	.
DATE	THIRTY-PLACE (X.XXXXXXX)	.
DATE	THIRTY-ONE-PLACE (X.XXXXXXX)	.
DATE	THIRTY-TWO-PLACE (X.XXXXXXX)	.
DATE	THIRTY-THREE-PLACE (X.XXXXXXX)	.
DATE	THIRTY-FOUR-PLACE (X.XXXXXXX)	.
DATE	THIRTY-FIVE-PLACE (X.XXXXXXX)	.
DATE	THIRTY-SIX-PLACE (X.XXXXXXX)	.
DATE	THIRTY-SEVEN-PLACE (X.XXXXXXX)	.
DATE	THIRTY-EIGHT-PLACE (X.XXXXXXX)	.
DATE	THIRTY-NINE-PLACE (X.XXXXXXX)	.
DATE	FOURTY-PLACE (X.XXXXXXX)	.
DATE	FOURTY-ONE-PLACE (X.XXXXXXX)	.
DATE	FOURTY-TWO-PLACE (X.XXXXXXX)	.
DATE	FOURTY-THREE-PLACE (X.XXXXXXX)	.
DATE	FOURTY-FOUR-PLACE (X.XXXXXXX)	.
DATE	FOURTY-FIVE-PLACE (X.XXXXXXX)	.
DATE	FOURTY-SIX-PLACE (X.XXXXXXX)	.
DATE	FOURTY-SEVEN-PLACE (X.XXXXXXX)	.
DATE	FOURTY-EIGHT-PLACE (X.XXXXXXX)	.
DATE	FOURTY-NINE-PLACE (X.XXXXXXX)	.
DATE	FIFTY-PLACE (X.XXXXXXX)	.
DATE	FIFTY-ONE-PLACE (X.XXXXXXX)	.
DATE	FIFTY-TWO-PLACE (X.XXXXXXX)	.
DATE	FIFTY-THREE-PLACE (X.XXXXXXX)	.
DATE	FIFTY-FOUR-PLACE (X.XXXXXXX)	.
DATE	FIFTY-FIVE-PLACE (X.XXXXXXX)	.
DATE	FIFTY-SIX-PLACE (X.XXXXXXX)	.
DATE	FIFTY-SEVEN-PLACE (X.XXXXXXX)	.
DATE	FIFTY-EIGHT-PLACE (X.XXXXXXX)	.
DATE	FIFTY-NINE-PLACE (X.XXXXXXX)	.
DATE	SIXTY-PLACE (X.XXXXXXX)	.
DATE	SIXTY-ONE-PLACE (X.XXXXXXX)	.
DATE	SIXTY-TWO-PLACE (X.XXXXXXX)	.
DATE	SIXTY-THREE-PLACE (X.XXXXXXX)	.
DATE	SIXTY-FOUR-PLACE (X.XXXXXXX)	.
DATE	SIXTY-FIVE-PLACE (X.XXXXXXX)	.
DATE	SIXTY-SIX-PLACE (X.XXXXXXX)	.
DATE	SIXTY-SEVEN-PLACE (X.XXXXXXX)	.
DATE	SIXTY-EIGHT-PLACE (X.XXXXXXX)	.
DATE	SIXTY-NINE-PLACE (X.XXXXXXX)	.
DATE	SEVENTY-PLACE (X.XXXXXXX)	.
DATE	SEVENTY-ONE-PLACE (X.XXXXXXX)	.
DATE	SEVENTY-TWO-PLACE (X.XXXXXXX)	.
DATE	SEVENTY-THREE-PLACE (X.XXXXXXX)	.
DATE	SEVENTY-FOUR-PLACE (X.XXXXXXX)	.
DATE	SEVENTY-FIVE-PLACE (X.XXXXXXX)	.
DATE	SEVENTY-SIX-PLACE (X.XXXXXXX)	.
DATE	SEVENTY-SEVEN-PLACE (X.XXXXXXX)	.
DATE	SEVENTY-EIGHT-PLACE (X.XXXXXXX)	.
DATE	SEVENTY-NINE-PLACE (X.XXXXXXX)	.
DATE	EIGHTY-PLACE (X.XXXXXXX)	.
DATE	EIGHTY-ONE-PLACE (X.XXXXXXX)	.
DATE	EIGHTY-TWO-PLACE (X.XXXXXXX)	.
DATE	EIGHTY-THREE-PLACE (X.XXXXXXX)	.
DATE	EIGHTY-FOUR-PLACE (X.XXXXXXX)	.
DATE	EIGHTY-FIVE-PLACE (X.XXXXXXX)	.
DATE	EIGHTY-SIX-PLACE (X.XXXXXXX)	.
DATE	EIGHTY-SEVEN-PLACE (X.XXXXXXX)	.
DATE	EIGHTY-EIGHT-PLACE (X.XXXXXXX)	.
DATE	EIGHTY-NINE-PLACE (X.XXXXXXX)	.
DATE	NINETY-PLACE (X.XXXXXXX)	.
DATE	NINETY-ONE-PLACE (X.XXXXXXX)	.
DATE	NINETY-TWO-PLACE (X.XXXXXXX)	.
DATE	NINETY-THREE-PLACE (X.XXXXXXX)	.
DATE	NINETY-FOUR-PLACE (X.XXXXXXX)	.
DATE	NINETY-FIVE-PLACE (X.XXXXXXX)	.
DATE	NINETY-SIX-PLACE (X.XXXXXXX)	.
DATE	NINETY-SEVEN-PLACE (X.XXXXXXX)	.
DATE	NINETY-EIGHT-PLACE (X.XXXXXXX)	.
DATE	HUNDRED-PLACE (X.XXXXXXX)	.

H
G
F
E
D
C
B
A







00 G35B

TITLE: WATER SYSTEM INSTL	
NO. OF SHEETS: 4	SHEET NO. 4
DATE: 1/16	133872