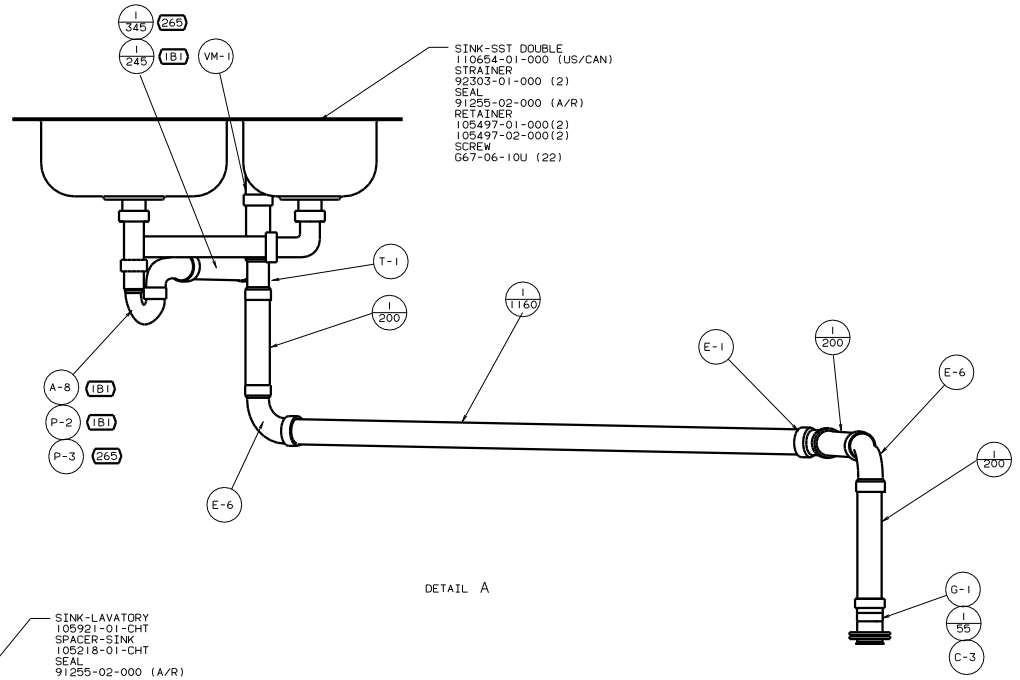


9. SECURE VENT TUBES TO FLOOR WITH BRACKET.
8. VENT PIPE MUST PROJECT 51 MM MIN AND 64 MM MAX ABOVE ROOF FOR PROPER FIT AND FUNCTION.
7. SEE DWG 61607-01-000 FOR INSTL OF GROMMETS.
6. SEAL ALL AROUND SHOWER WITH SILICONE.
5. EXPOSED PIPE ABOVE ROOF TO BE PAINTED WITH 37163-01-000.
4. ALL EXTERIOR OPENINGS AROUND PIPE TO BE SEALED WITH 11074-01-000.
3. ALL PIPE AND FITTINGS TO BE ASSEMBLED WITH SOLVENT 4020-01-000.
2. SLOPE OF TRAP ARM MUST BE 6 PER 305.
1. SLOPE OF HORIZONTAL PIPING TO BE 6 PER 305 MIN.

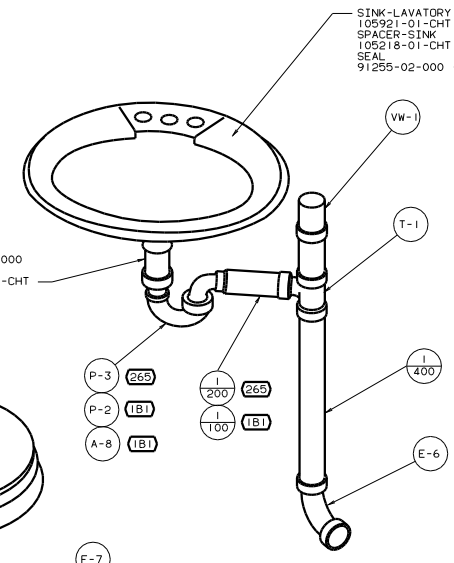
NOTES:

- WIN** WINNEBAGO ONLY
- ITA** ITASCA ONLY
- 265** CODES/STANDARDS-CSA/CMVSS
- TBT** CODES/STANDARDS USA

LAYOUT 6376		TITLE: DRAINAGE SYSTEM INSTL	
DATE	UNDESIGNED TOLERANCES ARE:	MATERIAL:	
DATE	WHOLE DIM (1:1)	F	
DATE	ONE-PLACE (1:1)	F	
DATE	TWO-PLACE (1:1)	F	
DATE	THREE-PLACE (1:1)	F	
DATE	FOUR-PLACE (1:1)	F	
DATE	FIVE-PLACE (1:1)	F	
DATE	SIX-PLACE (1:1)	F	
DATE	SEVEN-PLACE (1:1)	F	
DATE	EIGHT-PLACE (1:1)	F	
DATE	NINE-PLACE (1:1)	F	
DATE	TEN-PLACE (1:1)	F	
DATE	ELEVEN-PLACE (1:1)	F	
DATE	TWELVE-PLACE (1:1)	F	
DATE	THIRTEEN-PLACE (1:1)	F	
DATE	FOURTEEN-PLACE (1:1)	F	
DATE	FIFTEEN-PLACE (1:1)	F	
DATE	SIXTEEN-PLACE (1:1)	F	
DATE	SEVENTEEN-PLACE (1:1)	F	
DATE	EIGHTEEN-PLACE (1:1)	F	
DATE	NINETEEN-PLACE (1:1)	F	
DATE	TWENTY-PLACE (1:1)	F	
DATE	TWENTY-ONE-PLACE (1:1)	F	
DATE	TWENTY-TWO-PLACE (1:1)	F	
DATE	TWENTY-THREE-PLACE (1:1)	F	
DATE	TWENTY-FOUR-PLACE (1:1)	F	
DATE	TWENTY-FIVE-PLACE (1:1)	F	
DATE	TWENTY-SIX-PLACE (1:1)	F	
DATE	TWENTY-SEVEN-PLACE (1:1)	F	
DATE	TWENTY-EIGHT-PLACE (1:1)	F	
DATE	TWENTY-NINE-PLACE (1:1)	F	
DATE	THIRTY-PLACE (1:1)	F	
DATE	THIRTY-ONE-PLACE (1:1)	F	
DATE	THIRTY-TWO-PLACE (1:1)	F	
DATE	THIRTY-THREE-PLACE (1:1)	F	
DATE	THIRTY-FOUR-PLACE (1:1)	F	
DATE	THIRTY-FIVE-PLACE (1:1)	F	
DATE	THIRTY-SIX-PLACE (1:1)	F	
DATE	THIRTY-SEVEN-PLACE (1:1)	F	
DATE	THIRTY-EIGHT-PLACE (1:1)	F	
DATE	THIRTY-NINE-PLACE (1:1)	F	
DATE	FOURTY-PLACE (1:1)	F	
DATE	FOURTY-ONE-PLACE (1:1)	F	
DATE	FOURTY-TWO-PLACE (1:1)	F	
DATE	FOURTY-THREE-PLACE (1:1)	F	
DATE	FOURTY-FOUR-PLACE (1:1)	F	
DATE	FOURTY-FIVE-PLACE (1:1)	F	
DATE	FOURTY-SIX-PLACE (1:1)	F	
DATE	FOURTY-SEVEN-PLACE (1:1)	F	
DATE	FOURTY-EIGHT-PLACE (1:1)	F	
DATE	FOURTY-NINE-PLACE (1:1)	F	
DATE	FIFTY-PLACE (1:1)	F	
DATE	FIFTY-ONE-PLACE (1:1)	F	
DATE	FIFTY-TWO-PLACE (1:1)	F	
DATE	FIFTY-THREE-PLACE (1:1)	F	
DATE	FIFTY-FOUR-PLACE (1:1)	F	
DATE	FIFTY-FIVE-PLACE (1:1)	F	
DATE	FIFTY-SIX-PLACE (1:1)	F	
DATE	FIFTY-SEVEN-PLACE (1:1)	F	
DATE	FIFTY-EIGHT-PLACE (1:1)	F	
DATE	FIFTY-NINE-PLACE (1:1)	F	
DATE	SIXTY-PLACE (1:1)	F	
DATE	SIXTY-ONE-PLACE (1:1)	F	
DATE	SIXTY-TWO-PLACE (1:1)	F	
DATE	SIXTY-THREE-PLACE (1:1)	F	
DATE	SIXTY-FOUR-PLACE (1:1)	F	
DATE	SIXTY-FIVE-PLACE (1:1)	F	
DATE	SIXTY-SIX-PLACE (1:1)	F	
DATE	SIXTY-SEVEN-PLACE (1:1)	F	
DATE	SIXTY-EIGHT-PLACE (1:1)	F	
DATE	SIXTY-NINE-PLACE (1:1)	F	
DATE	SEVENTY-PLACE (1:1)	F	
DATE	SEVENTY-ONE-PLACE (1:1)	F	
DATE	SEVENTY-TWO-PLACE (1:1)	F	
DATE	SEVENTY-THREE-PLACE (1:1)	F	
DATE	SEVENTY-FOUR-PLACE (1:1)	F	
DATE	SEVENTY-FIVE-PLACE (1:1)	F	
DATE	SEVENTY-SIX-PLACE (1:1)	F	
DATE	SEVENTY-SEVEN-PLACE (1:1)	F	
DATE	SEVENTY-EIGHT-PLACE (1:1)	F	
DATE	SEVENTY-NINE-PLACE (1:1)	F	
DATE	EIGHTY-PLACE (1:1)	F	
DATE	EIGHTY-ONE-PLACE (1:1)	F	
DATE	EIGHTY-TWO-PLACE (1:1)	F	
DATE	EIGHTY-THREE-PLACE (1:1)	F	
DATE	EIGHTY-FOUR-PLACE (1:1)	F	
DATE	EIGHTY-FIVE-PLACE (1:1)	F	
DATE	EIGHTY-SIX-PLACE (1:1)	F	
DATE	EIGHTY-SEVEN-PLACE (1:1)	F	
DATE	EIGHTY-EIGHT-PLACE (1:1)	F	
DATE	EIGHTY-NINE-PLACE (1:1)	F	
DATE	NINETY-PLACE (1:1)	F	
DATE	NINETY-ONE-PLACE (1:1)	F	
DATE	NINETY-TWO-PLACE (1:1)	F	
DATE	NINETY-THREE-PLACE (1:1)	F	
DATE	NINETY-FOUR-PLACE (1:1)	F	
DATE	NINETY-FIVE-PLACE (1:1)	F	
DATE	NINETY-SIX-PLACE (1:1)	F	
DATE	NINETY-SEVEN-PLACE (1:1)	F	
DATE	NINETY-EIGHT-PLACE (1:1)	F	
DATE	HUNDRED-PLACE (1:1)	F	

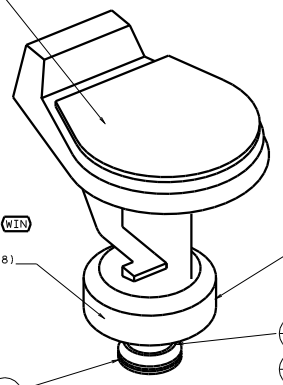


DETAIL A



DETAIL B

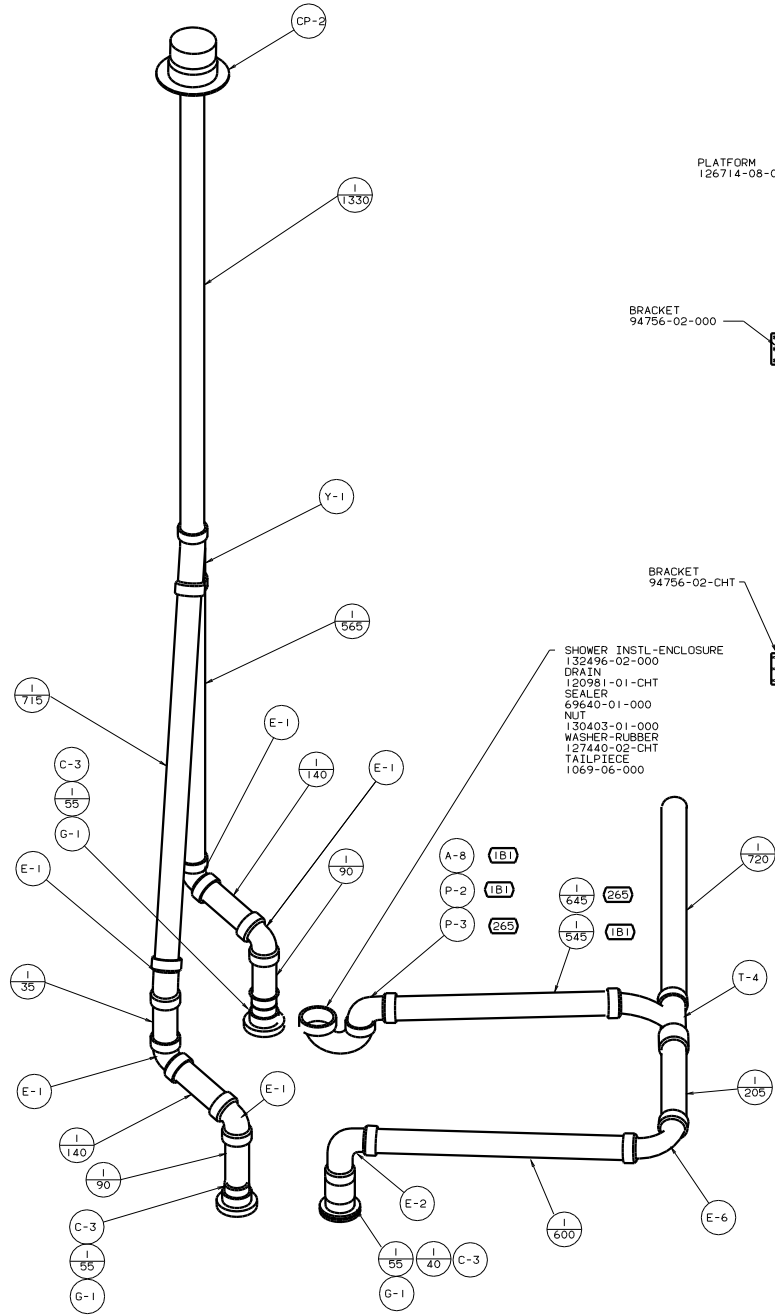
WIN TOILET-CHINA, STD W/SPRAYER
 85321-04-CHT
 ETA 132389-01-CHT



WIN SPACER-TOILET
 131786-01-CHT
 WIN SCREW
 057-14-64B (8)
 ETA 87721-01-000 (8)

TAILPIECE
 11069-02-000
 STRAINER
 106116-01-CHT

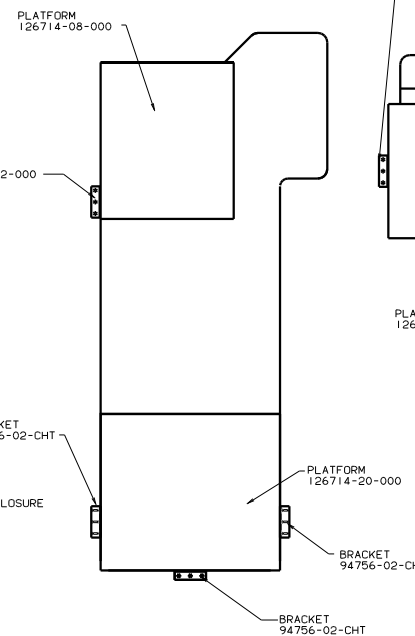
00 G32V	
TITLE: DRAINAGE SYSTEM INSTL	
DATE: 11/01/05	REV: 1
SHEET: 2 of 4	DWG NO: 133213



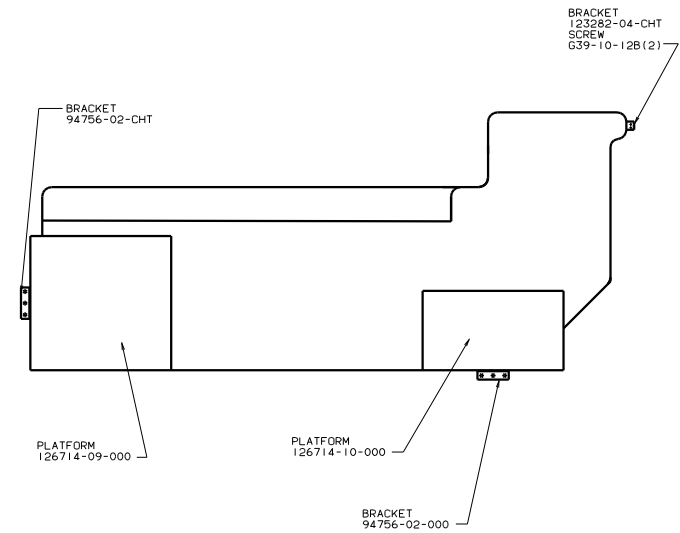
DETAIL C

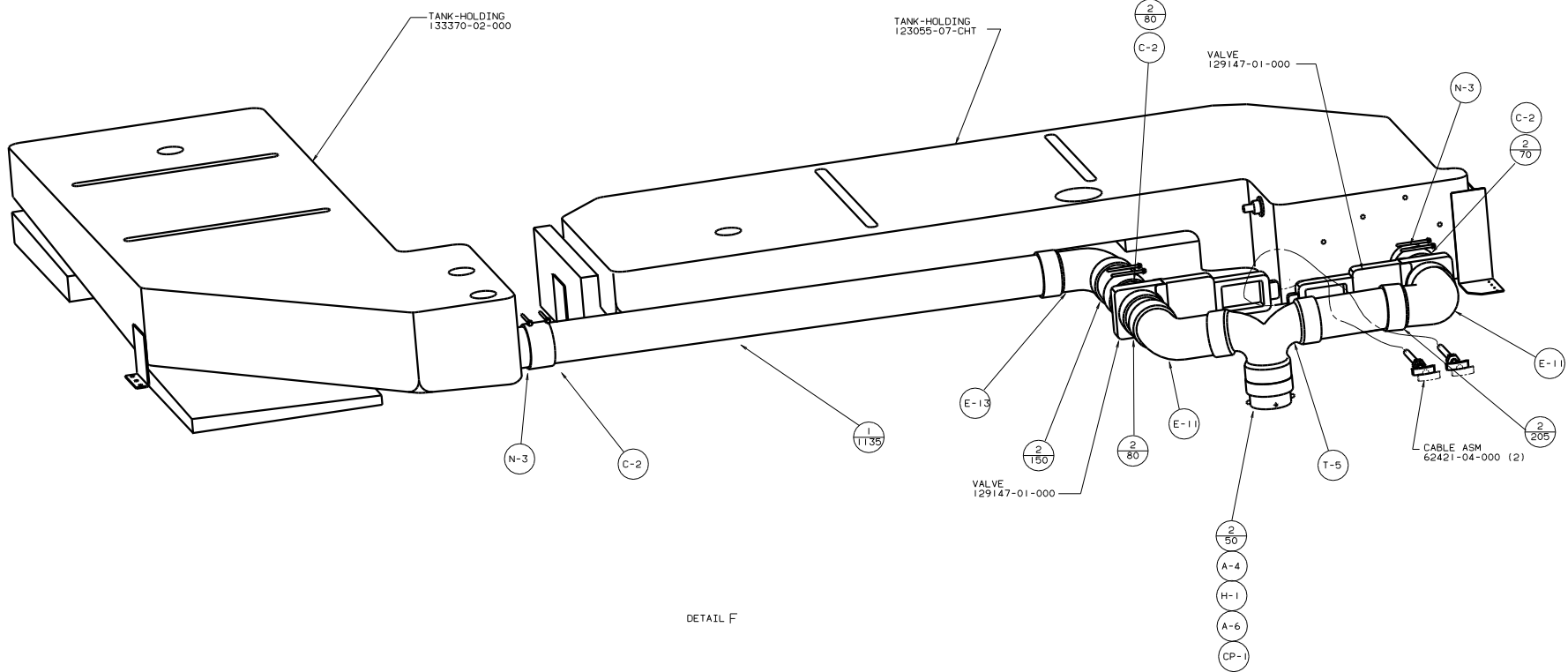
- SHOWER INSTL-ENCLOSURE 132496-02-000
- DRAIN 120981-01-CHT
- SEALER 69640-01-000
- NUT 130403-01-000
- WASHER-RUBBER 127440-02-CHT
- TAILPIECE 1069-06-000

- A-8 (1B1)
- P-2 (1B1)
- P-3 (265)
- I 645 (265)
- I 545 (1B1)



VIEW E-E

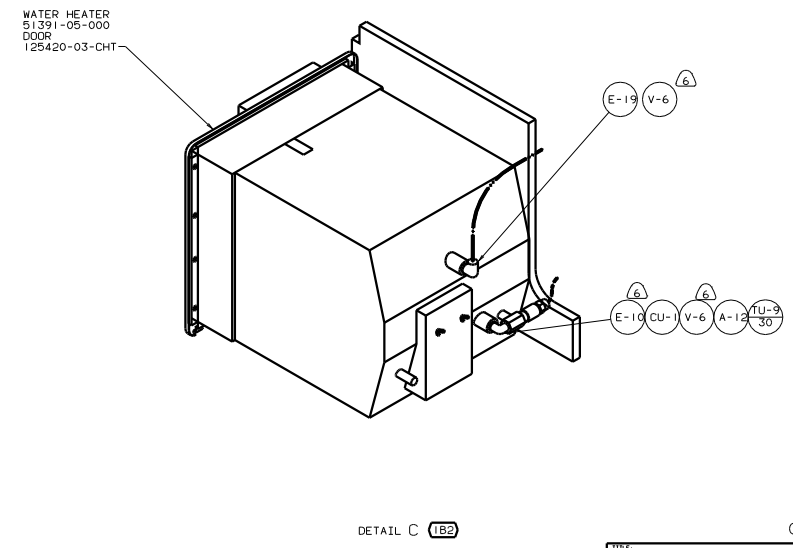
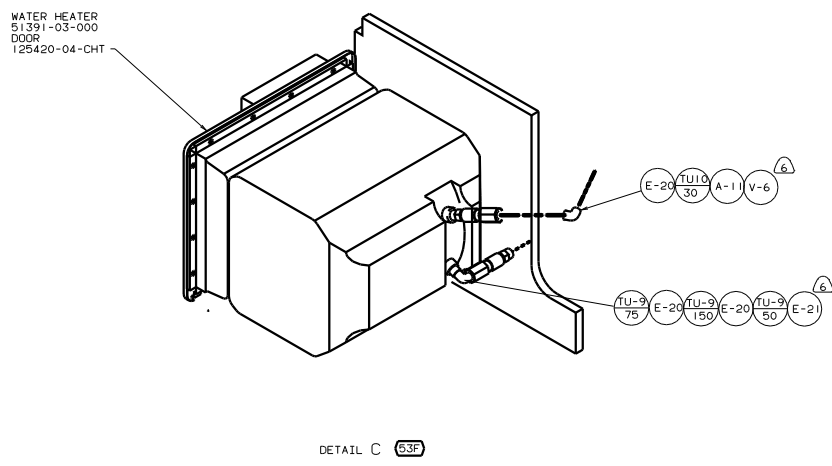
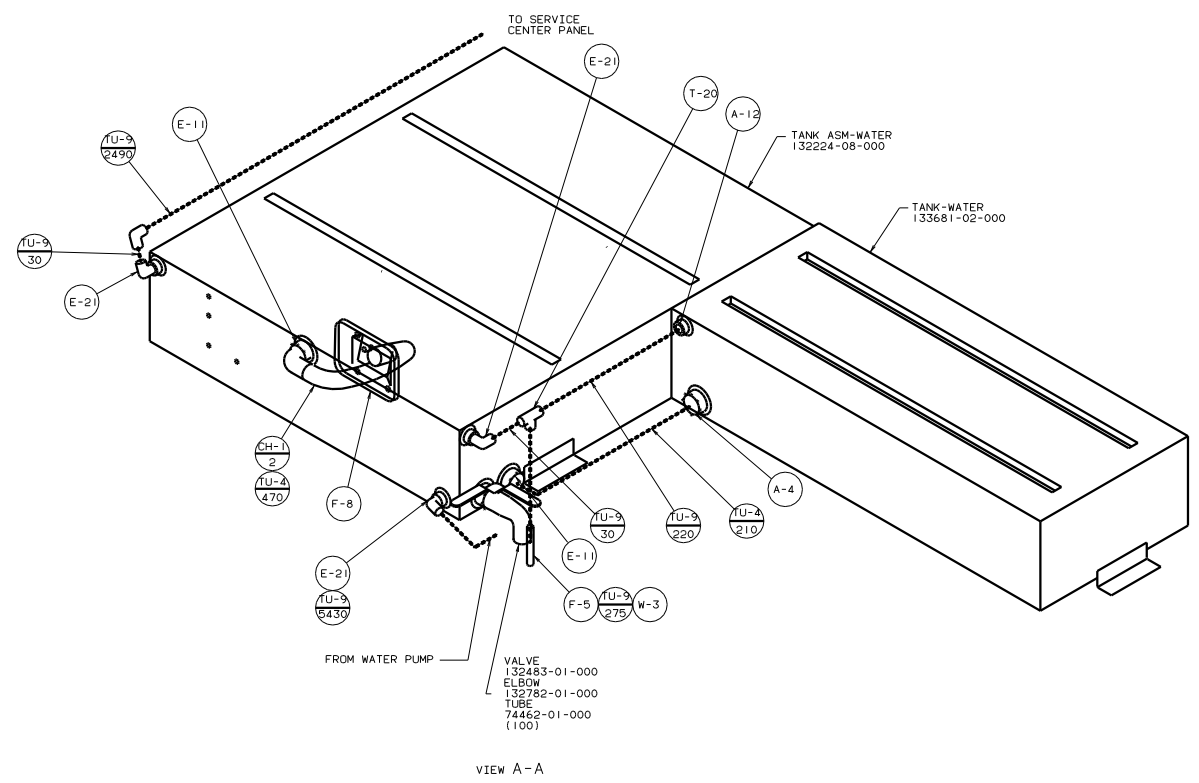
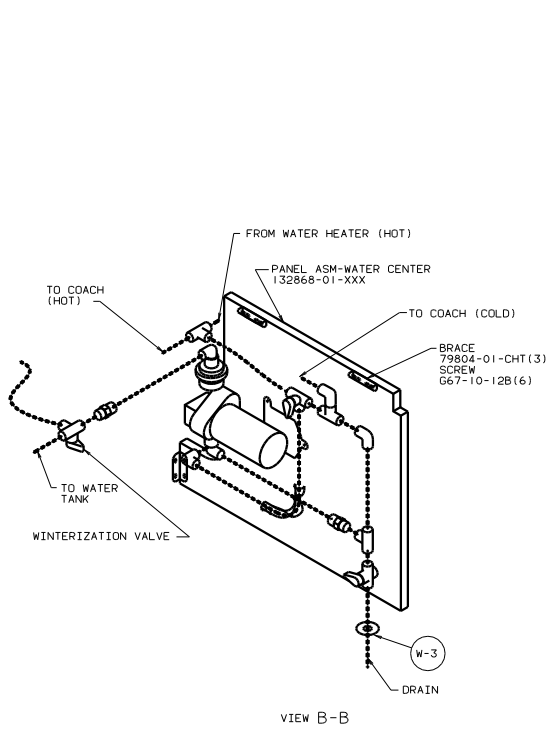


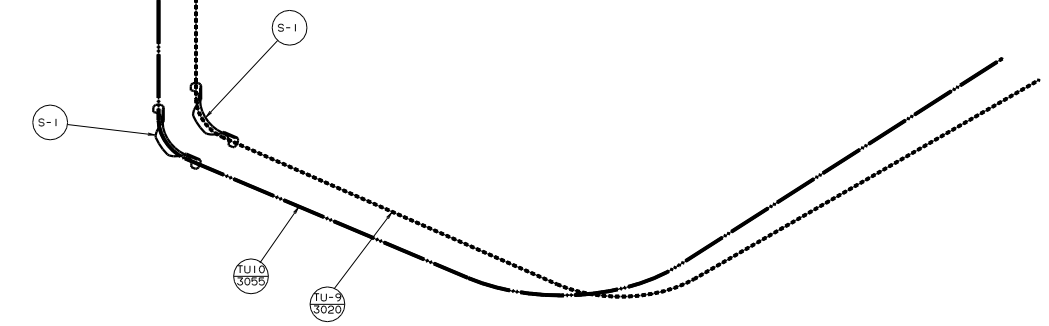
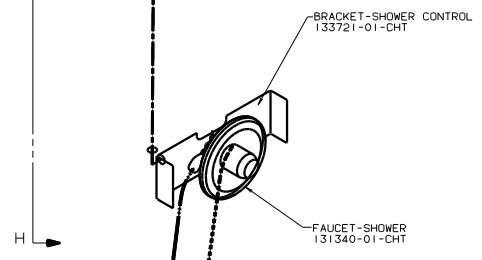
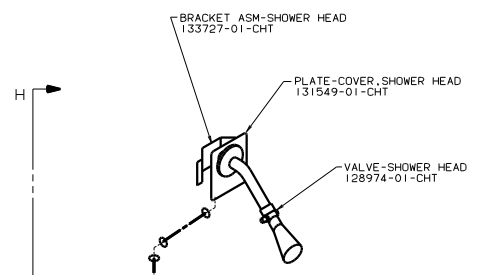


DETAIL F

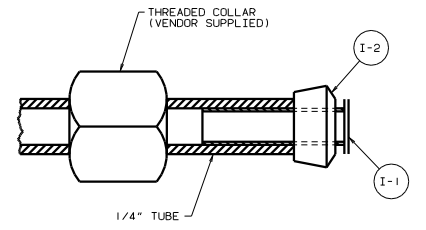
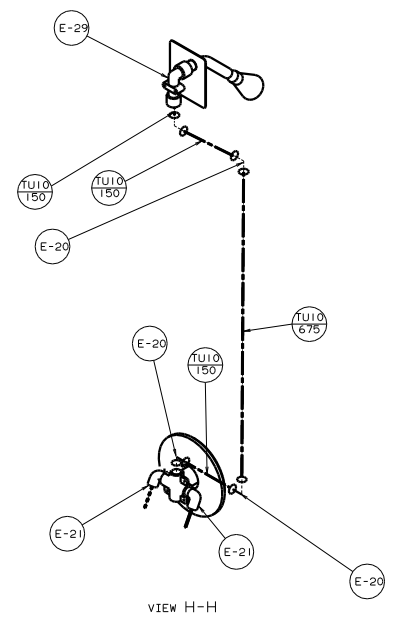
00 G32V

TITLE: DRAINAGE SYSTEM INSTL	
NO. OF SHEETS: 4	REV. NO: 1
SHEET 4 OF 4	
133213	





DETAIL G



00 G32V

TITLE: WATER SYSTEM INSTL	
NO. OF SHEETS: 4	SHEET 4 OF 4
REV. NO.	133893