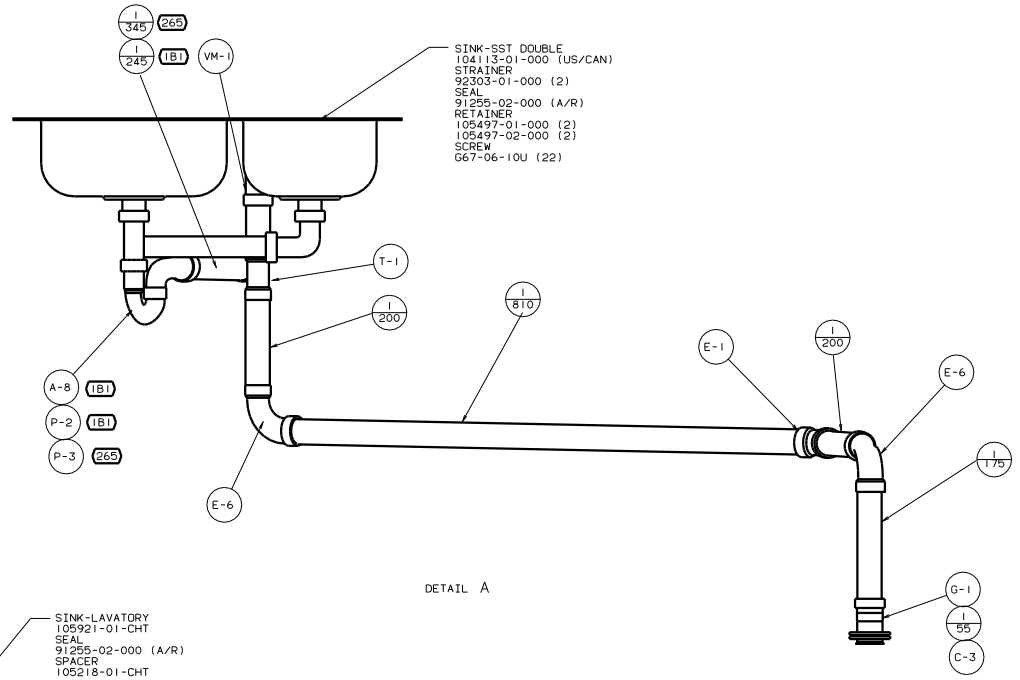


9. SECURE VENT TUBES TO FLOOR WITH BRACKET.
8. VENT PIPE MUST PROJECT 51 MM MIN AND 64 MM MAX ABOVE ROOF FOR PROPER FIT AND FUNCTION.
7. SEE DWG 61607-01-000 FOR INSTL OF GROMMETS.
6. SEAL ALL AROUND SHOWER WITH SILICONE.
5. EXPOSED PIPE ABOVE ROOF TO BE PAINTED WITH 37163-01-000.
4. ALL EXTERIOR OPENINGS AROUND PIPE TO BE SEALED WITH 11074-01-000.
3. ALL PIPE AND FITTINGS TO BE ASSEMBLED WITH SOLVENT 4020-01-000.
2. SLOPE OF TRAP ARM MUST BE 6 PER 305.
1. SLOPE OF HORIZONTAL PIPING TO BE 6 PER 305 MIN.

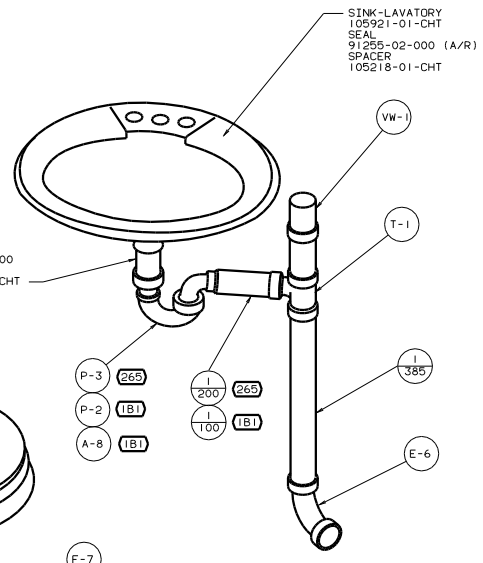
NOTES:

(265) CODES/STANDARDS-CSA/CMVSS
 (TBT) CODES/STANDARDS USA

LAYOUT		TITLE	
NO	DATE	NO	DATE
1	8/19/02	1	8/19/02
2	8/19/02	2	8/19/02
3	8/19/02	3	8/19/02
4	8/19/02	4	8/19/02
LAYOUT F33V		DRAINAGE SYSTEM INSTL	
REF: 133213 C 1		130171	

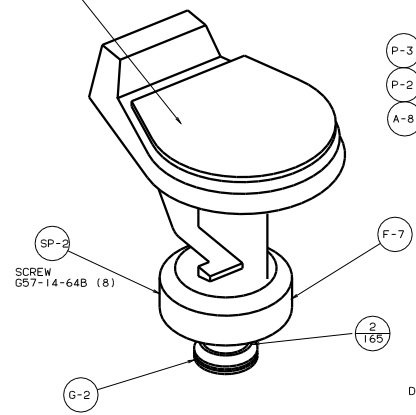


DETAIL A



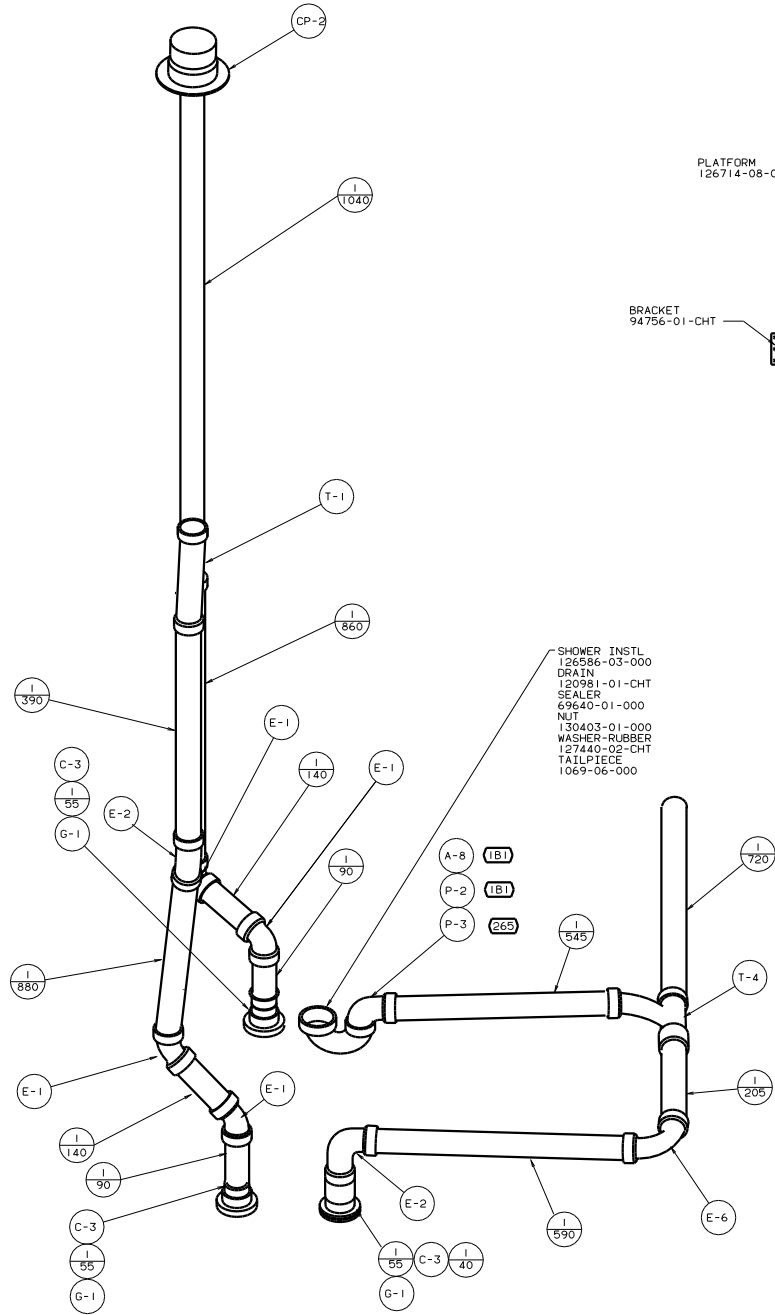
DETAIL B

TOILET-AQUA MAGIC IV
131932-01-CHT



00 F33V

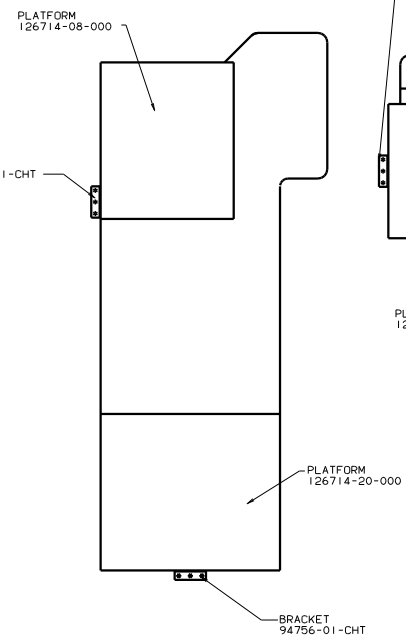
TITLE: DRAINAGE SYSTEM INSTL		REV: 1.0	
DATE: 2/04	DRAWN: J.E.	CHECKED: J.E.	NO. OF SHEETS: 4
SHEET 2 OF 4		130171	



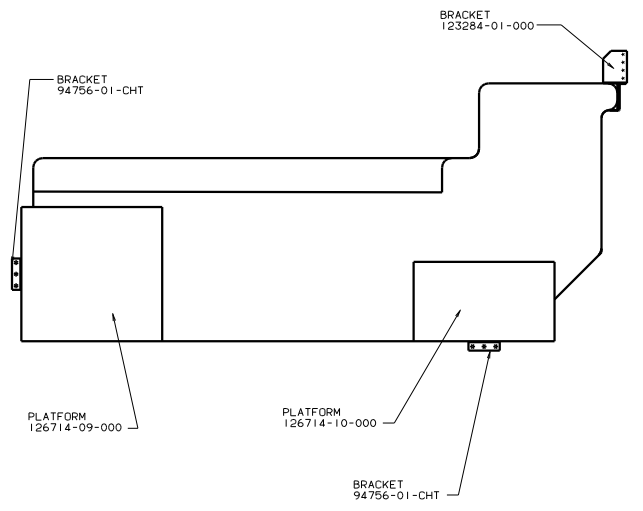
SHOWER INSTL
126586-03-000
DRAIN
120981-01-CHT
SEALER
69640-01-000
NUT
130403-01-000
WASHER-RUBBER
127440-02-CHT
TAILPIECE
1069-06-000

A-8 (181)
P-2 (181)
P-3 (265)

DETAIL C

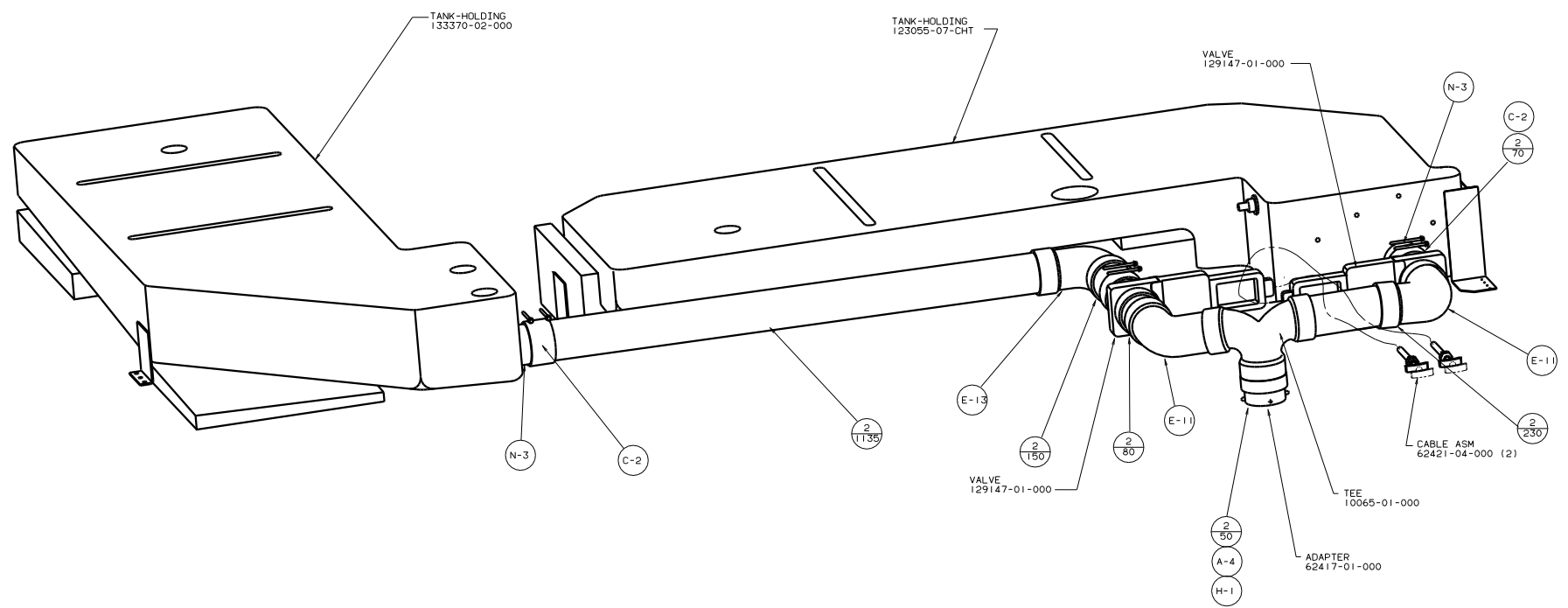


VIEW E-E



00 F33V

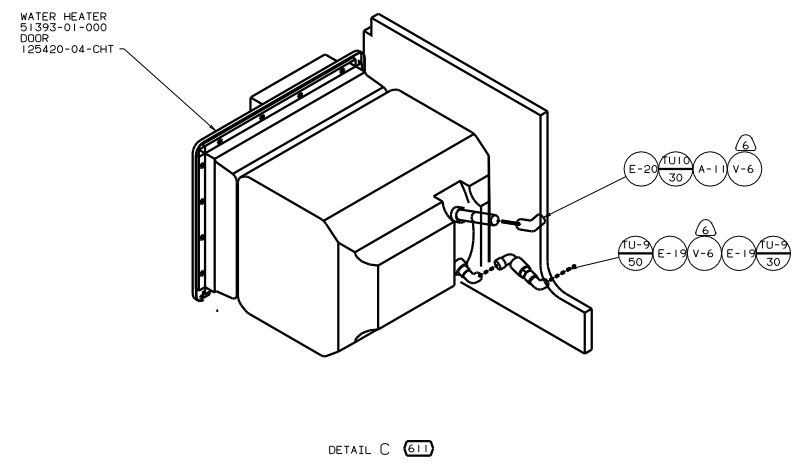
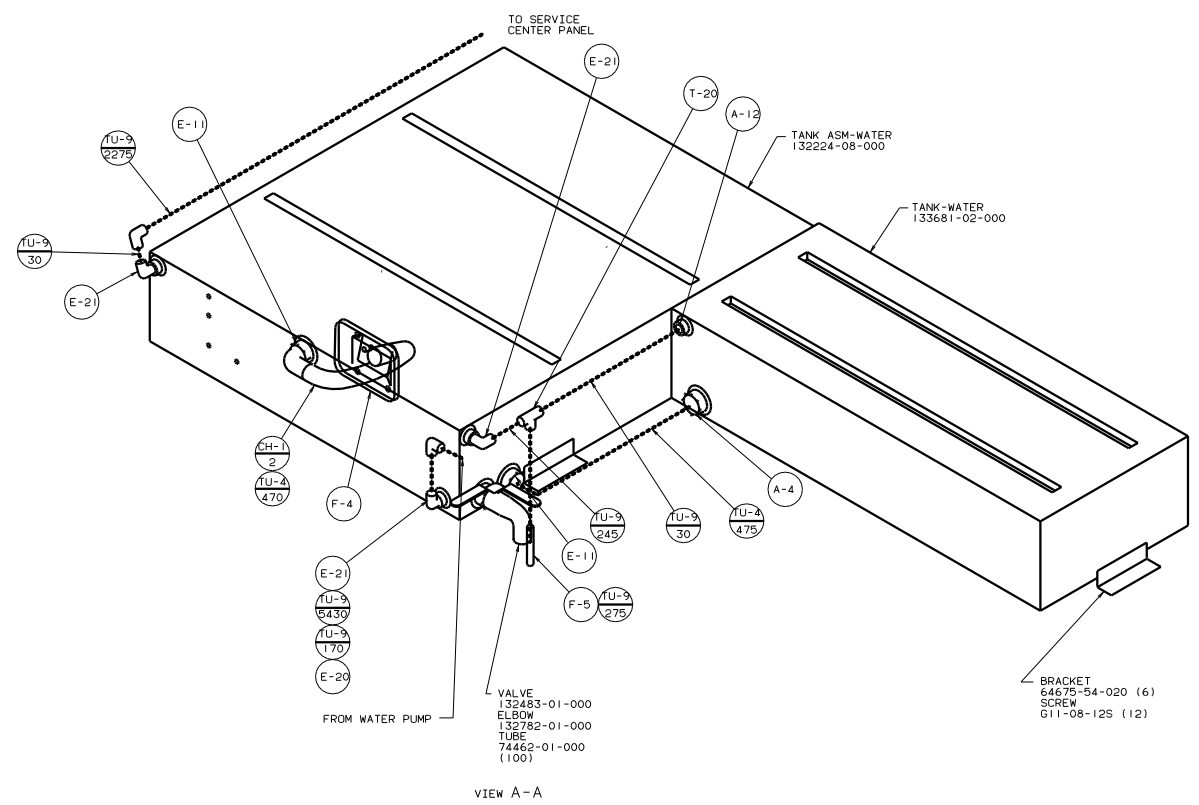
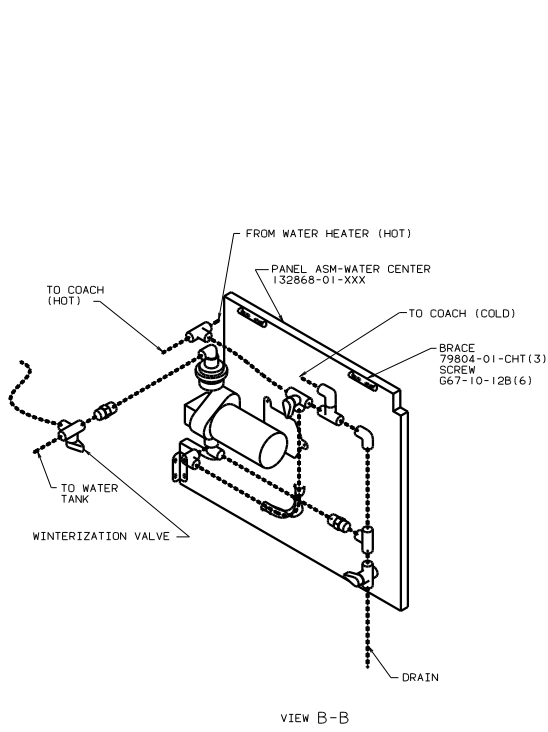
TITLE: DRAINAGE SYSTEM INSTL	
NO. OF SHEETS: 4	SHEET NO: 3
DATE: 1/16	DWG. NO: 130171

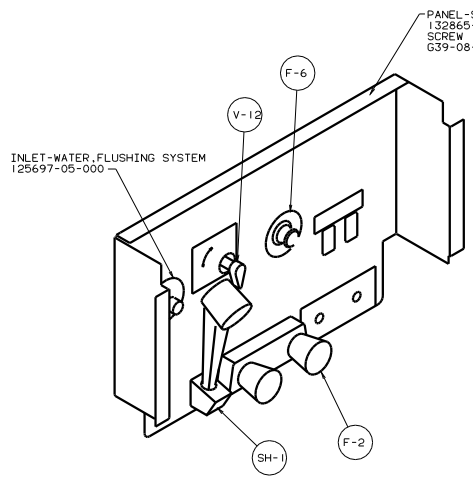


DETAIL F

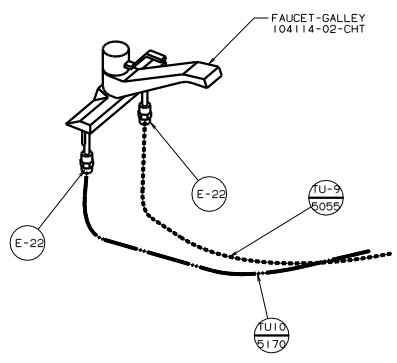
00 F33V

TITLE: DRAINAGE SYSTEM INSTL		REV: 1.0	
NO. OF SHEETS: 4	OF 4	SHEET NO:	130171

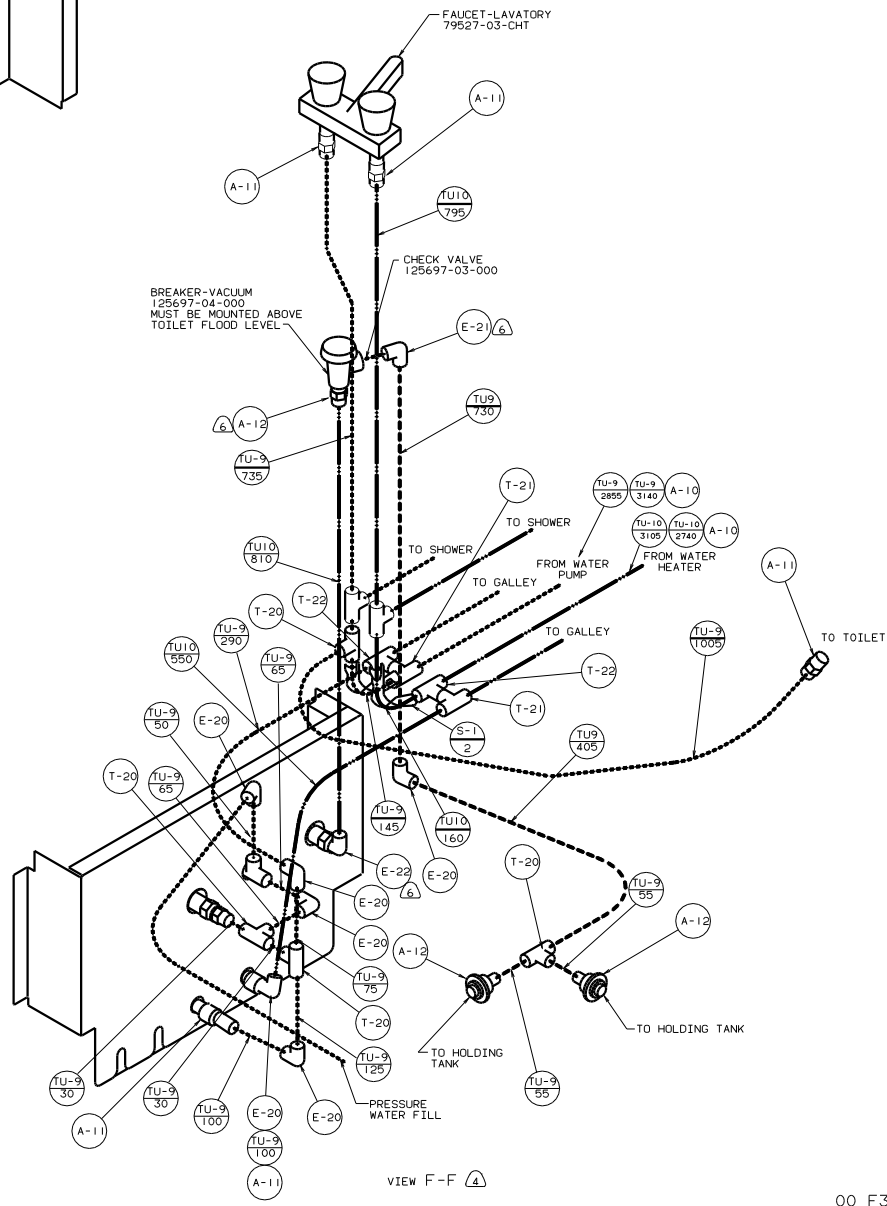




DETAIL E



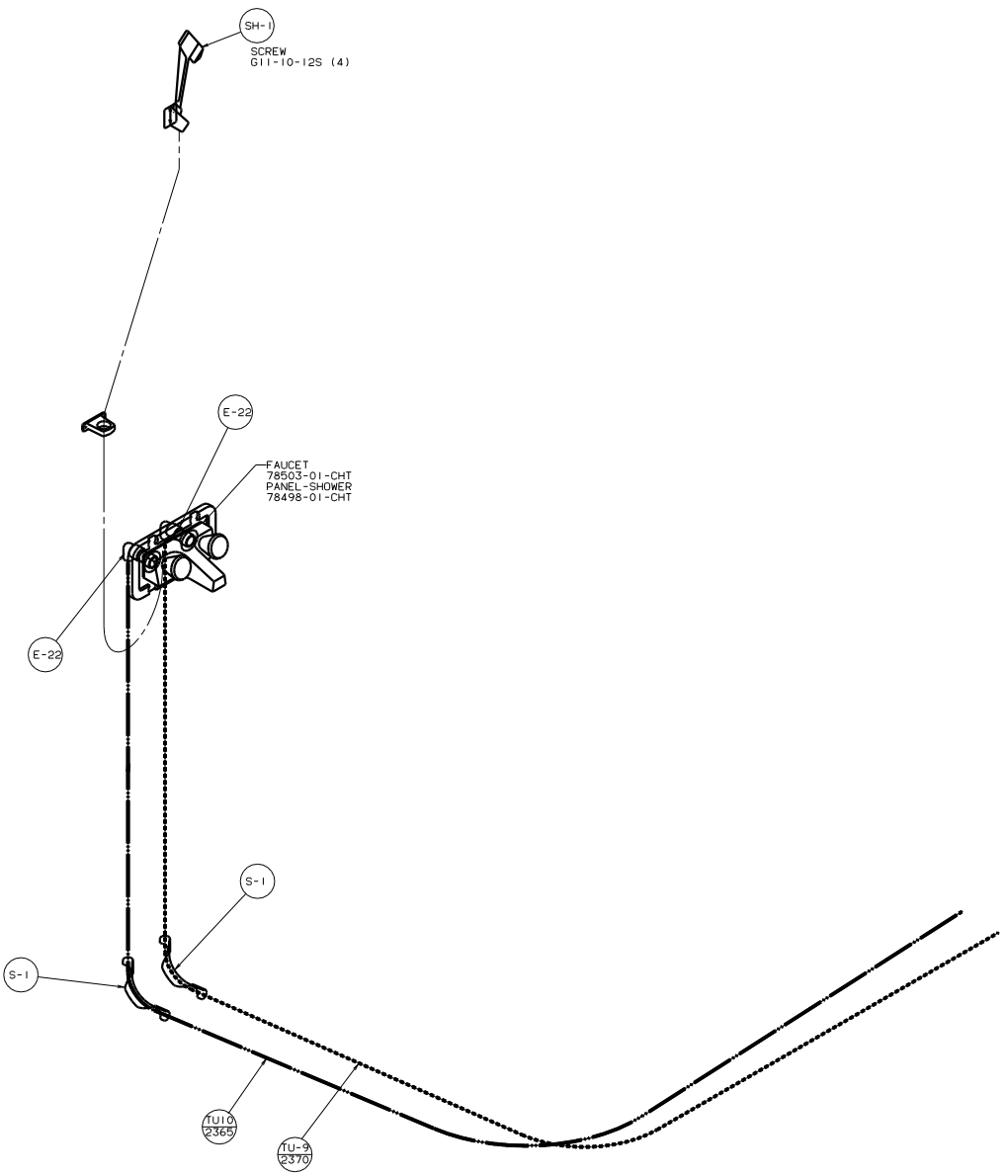
DETAIL D



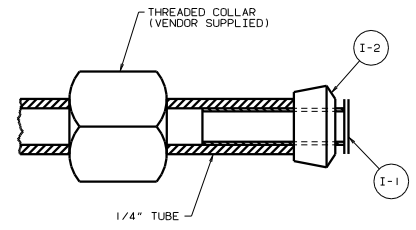
VIEW F-F

00 F33V

TITLE:		WATER SYSTEM INSTL	
PROJECT NUMBER:	REV:	DATE:	BY:
SHEET 3 OF 4			
		130119	



DETAIL G



DETAIL J

00 F33V

TITLE: WATER SYSTEM INSTL	
DATE: 11/11/05	REV: 1
SHEET: 4 of 4	DWG NO: 130119