

- 10. TRIM P-TRAP EXTENSION TO FIT.
- 9. SECURE VENT TUBES TO FLOOR WITH BRACKET.
- 8. VENT PIPE MUST PROJECT 51 MM MIN AND 64 MM MAX ABOVE ROOF FOR PROPER FIT AND FUNCTION.
- 7. SEE DWG 61607-01-000 FOR INSTL OF GROMMETS.
- 6. SEAL ALL AROUND SHOWER WITH SILICONE.
- 5. EXPOSED PIPE ABOVE ROOF TO BE PAINTED WITH 37163-01-000.
- 4. ALL EXTERIOR OPENINGS AROUND PIPE TO BE SEALED WITH 11074-01-000.
- 3. ALL PIPE AND FITTINGS TO BE ASSEMBLED WITH SOLVENT 4020-01-000.
- 2. SLOPE OF TRAP ARM MUST BE 6 PER 305.
- 1. SLOPE OF HORIZONTAL PIPING TO BE 6 PER 305 MIN.

NOTES:

265 CODES/STANDARDS-CSA/CMVSS
 TBT CODES/STANDARDS USA

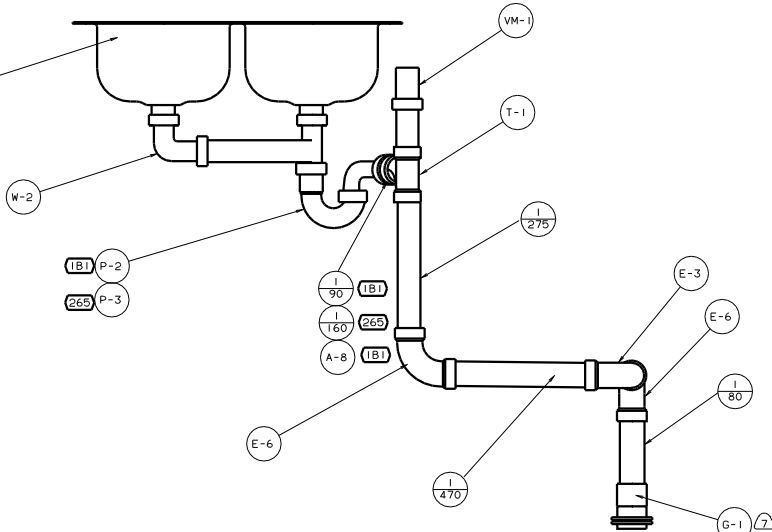
FOR DRAINAGE CALLOUTS SEE DWG NO. 116229-01-000

DATE		UNDESIGNED TOLERANCES ARE:	00 F32T
OF IN	DATE	WHOLE DIM (1:1)	1/4
CHOP	DATE	ONE-PLACE (1:1)	1/4
PIE	DATE	TWO-PLACE (1:1)	1/4
P/E	DATE	THREE-PLACE (1:1)	1/4
CODE	DATE	INDIC. WHOLE PROJECTION	1/4

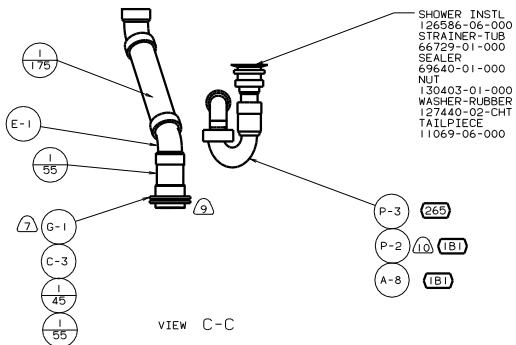
WINNEBAGO

LAYOUT 6376 TITLE: DRAINAGE SYSTEM INSTL
 SHEET 1 OF 3 REF: 127080
 ALL DIMENSIONS ARE IN MILLIMETERS

SINK-SST,DOUBLE
 104113-01-000 (US/CAN)
 STRAINER
 95303-01-000 (2)
 SEAL
 91255-02-000
 RETAINER
 105497-01-000 (2)
 105497-02-000 (2)
 SCREW
 667-06-10U (22)



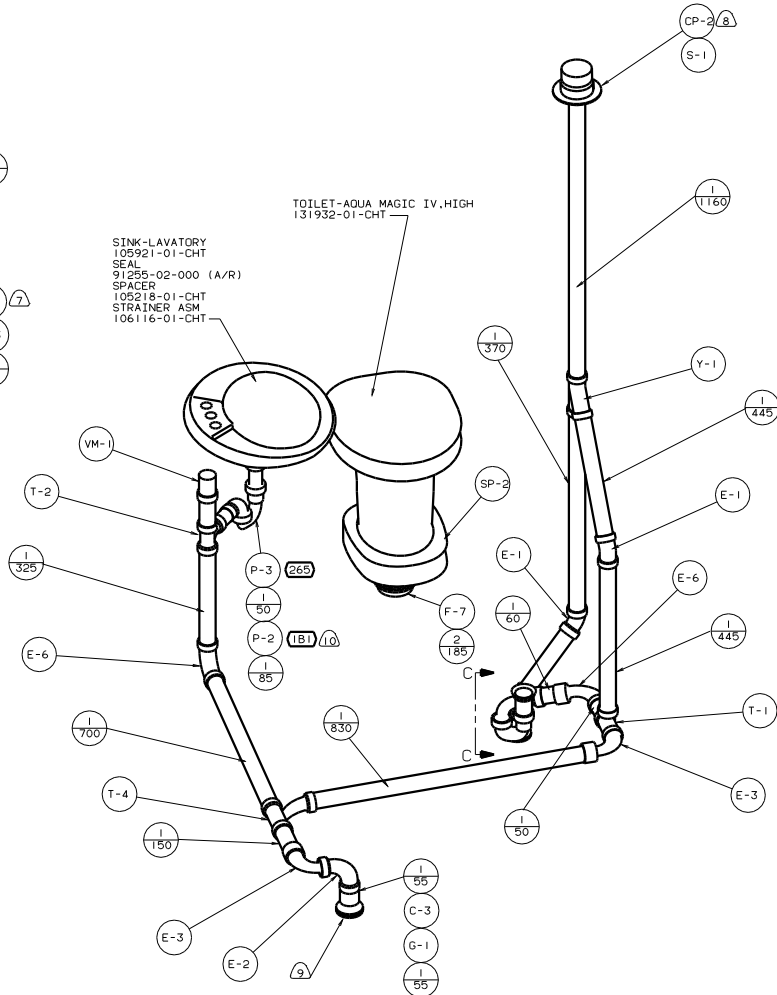
DETAIL A



VIEW C-C

TOILET-AQUA MAGIC IV,HIGH
 131932-01-CHT

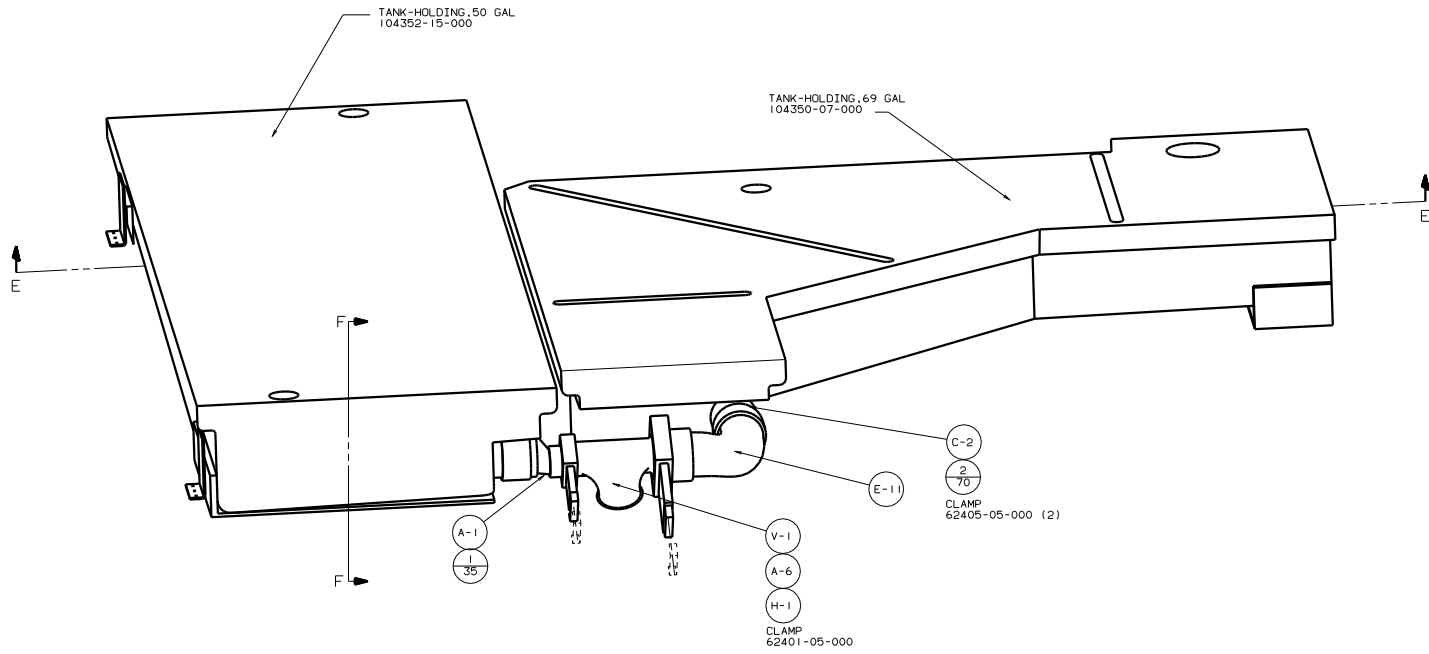
SINK-LAVATORY
 105921-01-CHT
 SEAL
 91255-02-000 (A/R)
 SPACER
 105218-01-CHT
 STRAINER ASM
 106116-01-CHT



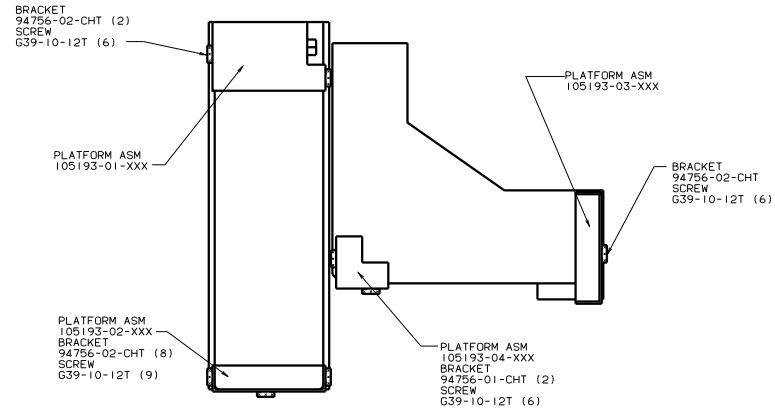
DETAIL B

00 F32T

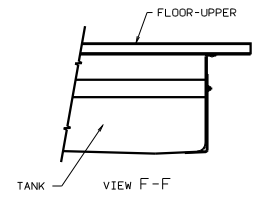
TITLE		DRAINAGE SYSTEM INSTL	
NO	DATE	BY	CHK
1			
SHEET 2 OF 3		133577	



DETAIL D



VIEW E-E

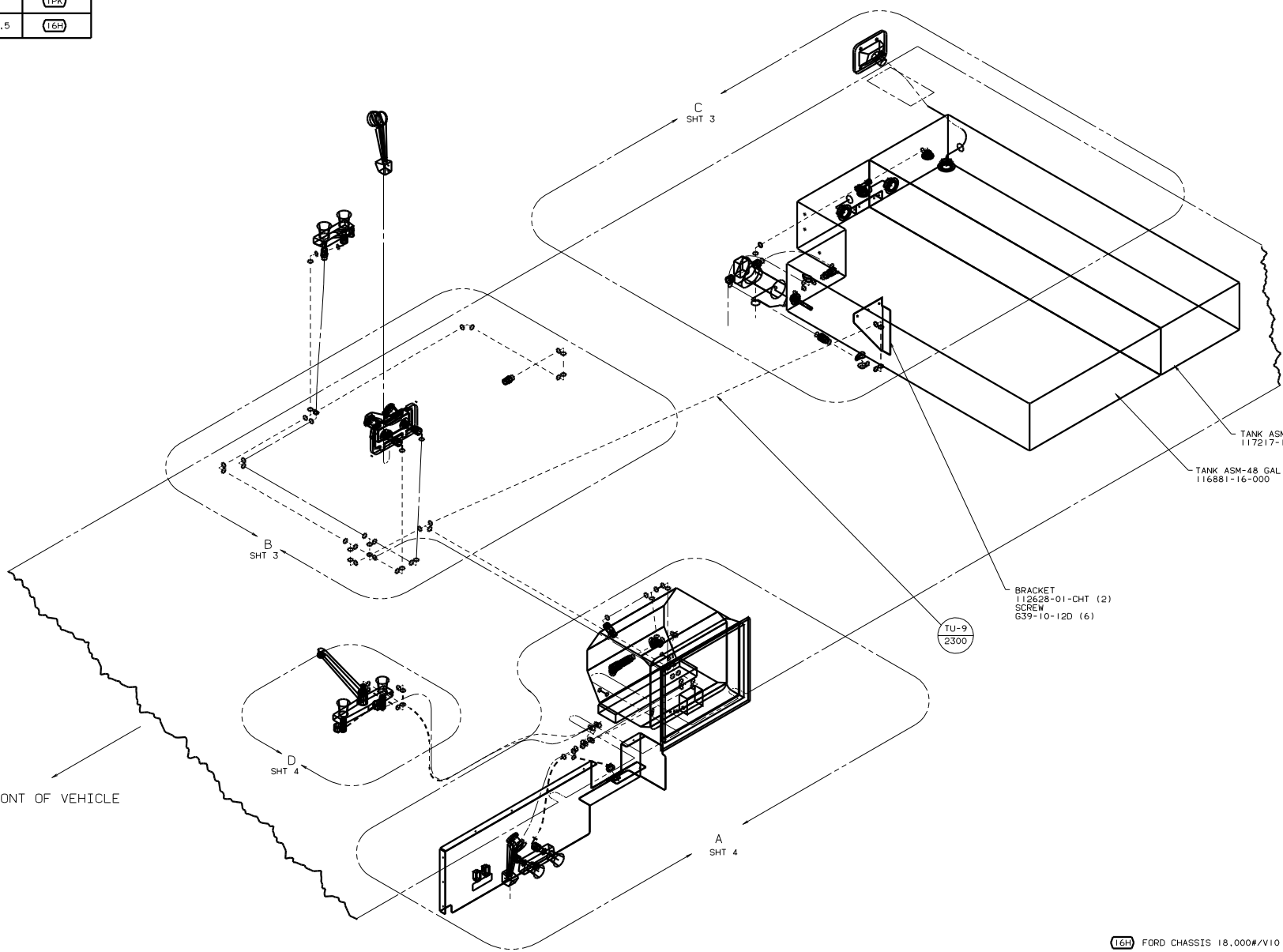


00 F32T

TITLE: DRAINAGE SYSTEM INSTL		DATE: 11/01/05	REV: 1
30 000 000 000 000	3 OF 3	133577	

DWG NO	SHT	CHASSIS
133578-01	1, 3, 4	(1PK)
133578-02	2, 3, 4, 5	(16H)

RELEASE BY DATE OF THIS DRAWING 133578
 REVISION RECORD DATE BY



- NOTES:
1. PLASTIC FITTINGS TO BE SEALED WITH SEALANT 84456-01-000.
 2. TUBING TO BE INSTALLED WITH SUFFICIENT SLOPE TO PROVIDE DRAINAGE TO THE NEAREST VALVE.
 3. ALL TUBING TO BE SECURED AT 1200 INTERVALS MAX WITH CLAMP 10495-01-000 OR CLIP 91951-01-000 AND SCREW G67-10-12B.
 4. CLAMP MUST BE ON BARBS.

LEGEND

HOT	—————
COLD	••••••••

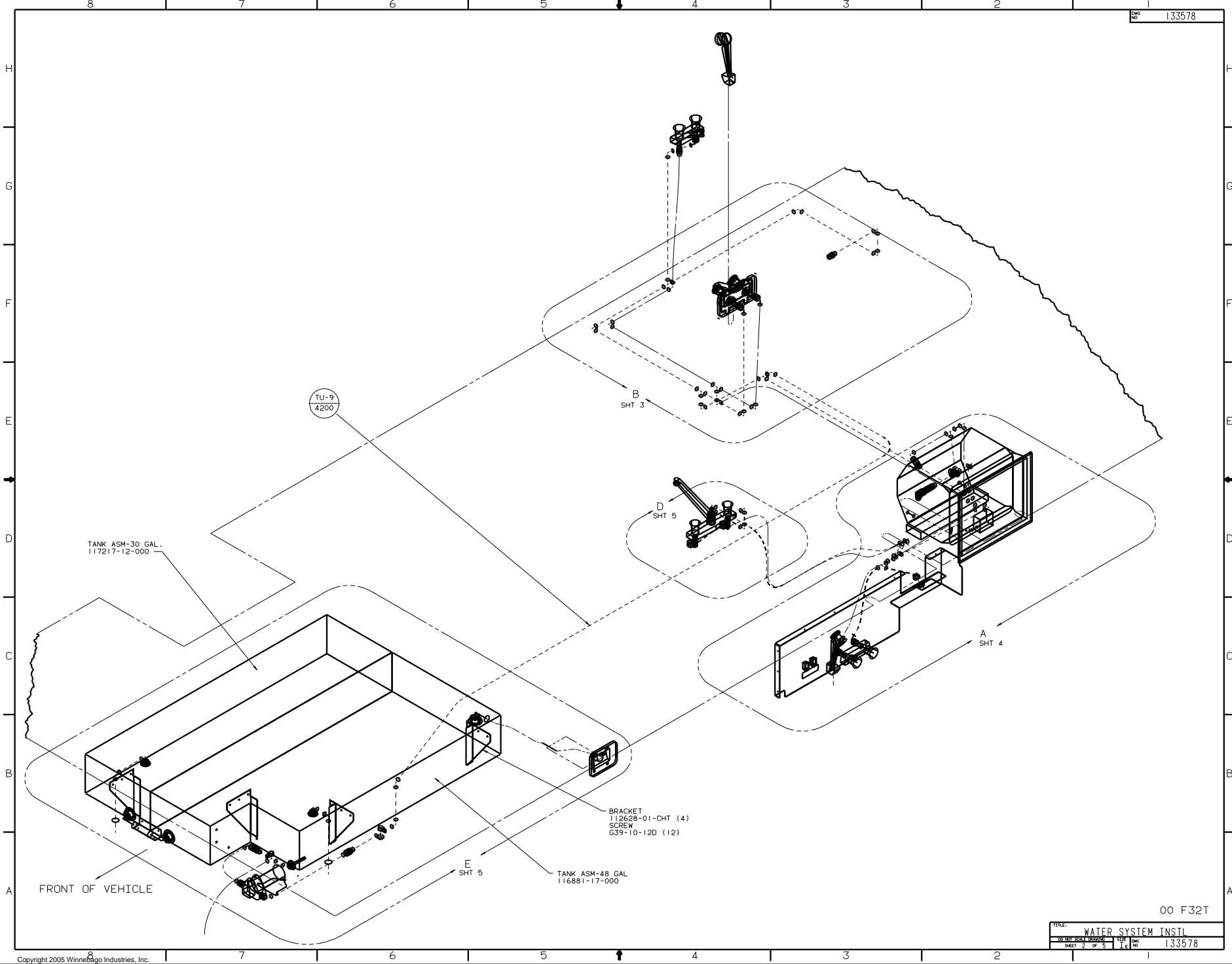
(X-X) FOR WATER CALLOUTS SEE DWG NO. 116230-01-000

(16H) FORD CHASSIS 18,000#/V10 ENG
 (1PK) WORKHORSE CH. 16,500LB. GVWR

WINNEBAGO 00 F32T

DATE	DATE	UNSPECIFIED TOLERANCES ARE:	MATERIAL
DATE	DATE	WHOLE DIM (IN)	F.F.
DATE	DATE	ONE-PLACE (IN.XI)	.
DATE	DATE	TWO-PLACE (IN.XXX)	.
DATE	DATE	THREE-PLACE (IN.XXX)	.
DATE	DATE	THREE-PLACE (IN.XXX)	.
DATE	DATE	THREE-PLACE (IN.XXX)	.
DATE	DATE	THREE-PLACE (IN.XXX)	.

LANE# F3210 TITLE: WATER SYSTEM INSTL
 DIA # SCALE: NONE 30 PER SCALE: NONE SHEET 1 OF 5
 ALL DIMENSIONS ARE IN MILLIMETERS



TU-9
4200

B
SHT 3

D
SHT 5

A
SHT 4

E
SHT 5

TANK ASM-30 GAL.
117217-12-000

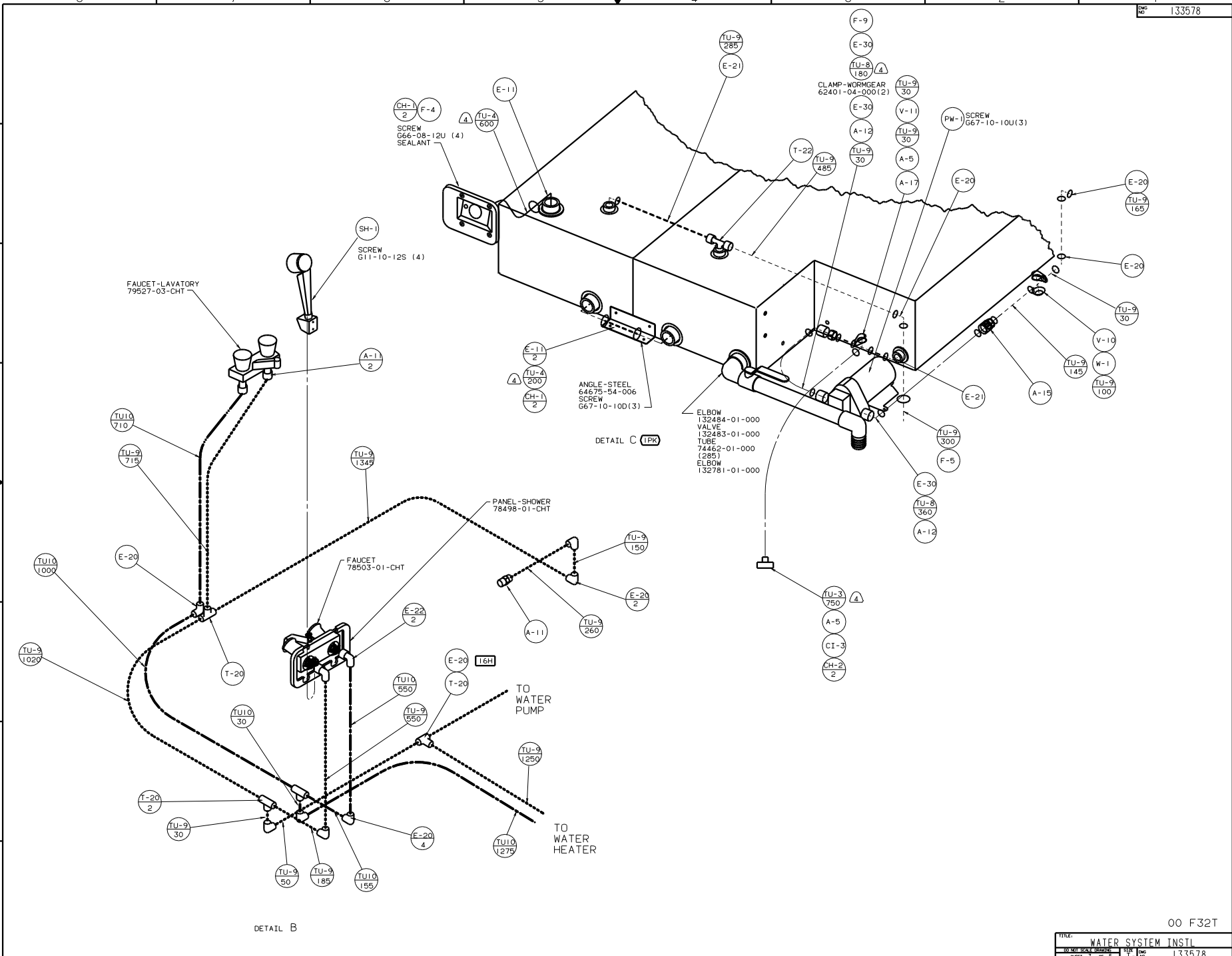
BRACKET
112628-01-CHT (4)
SCREW
G39-10-12D (12)

TANK ASM-48 GAL
116891-17-000

FRONT OF VEHICLE

00 F32T

TITLE:		WATER SYSTEM INSTL	
TO SHEET NO.	FROM SHEET NO.	REV	DATE
2	5	1	133578

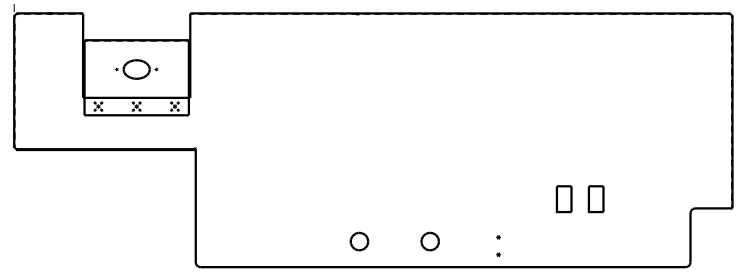


DETAIL B

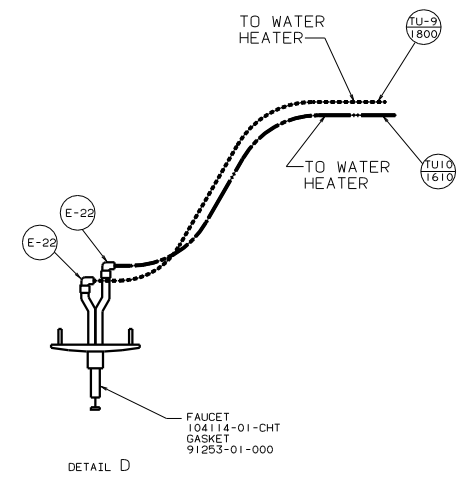
DETAIL C (TPK)

00 F32T

TITLE		WATER SYSTEM INSTL	
30	NO SCALE DRAWING	1/8"	1/8"
SHEET 3 OF 5		REV	NO
		133578	



VIEW F-F

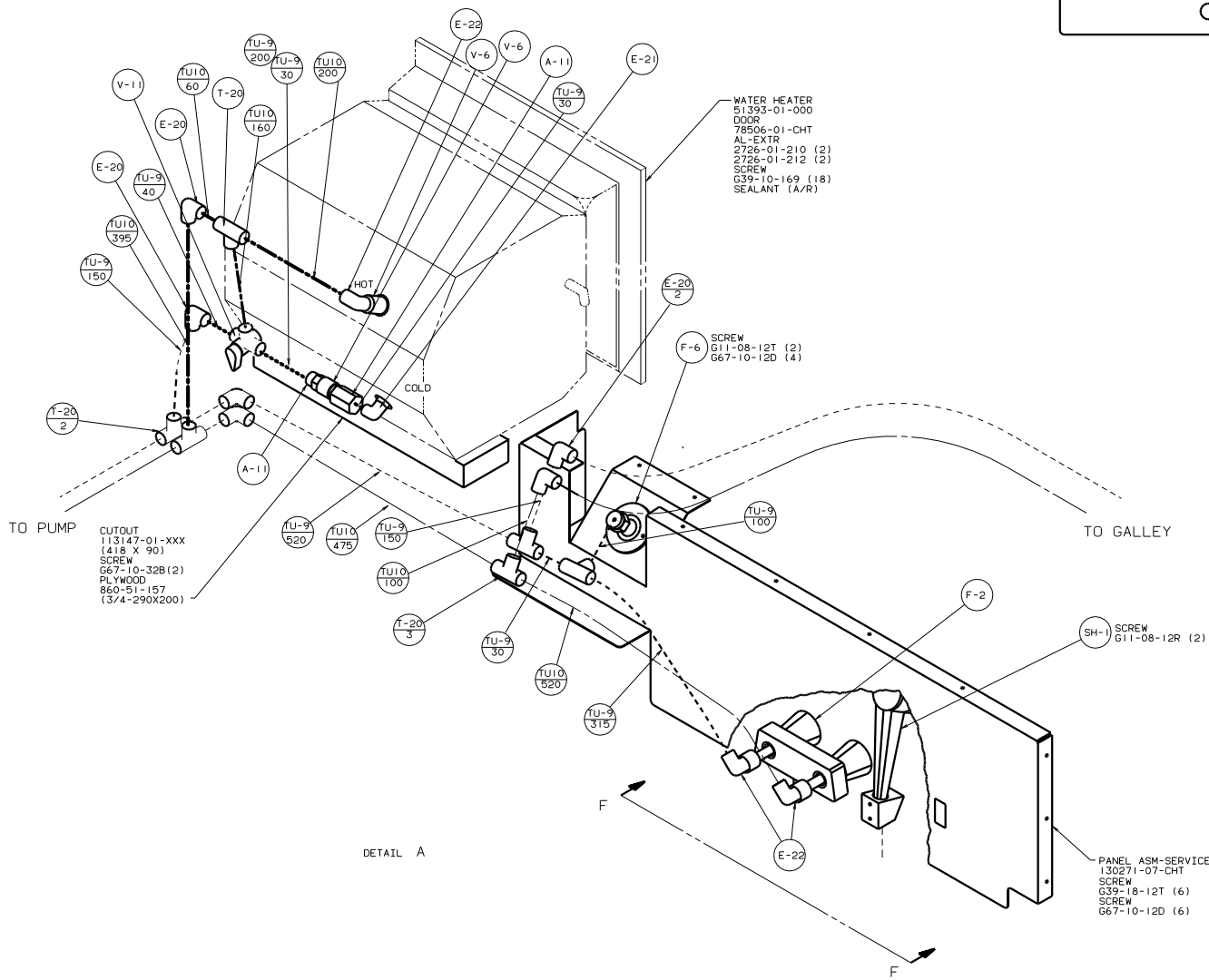


WATER HEATER
 51393-01-000
 D309
 78506-01-CHT
 AL-EXTR
 2726-01-210 (2)
 2726-01-212 (2)
 SCREW
 G39-10-169 (18)
 SEALANT (A/R)

SCREW
 F-6
 G11-08-12T (2)
 G67-10-12D (4)

SCREW
 SH-1
 G11-08-12R (2)

PANEL ASM-SERVICE CENTER
 130271-07-CHT
 SCREW
 G39-18-12T (6)
 SCREW
 G67-10-12D (6)

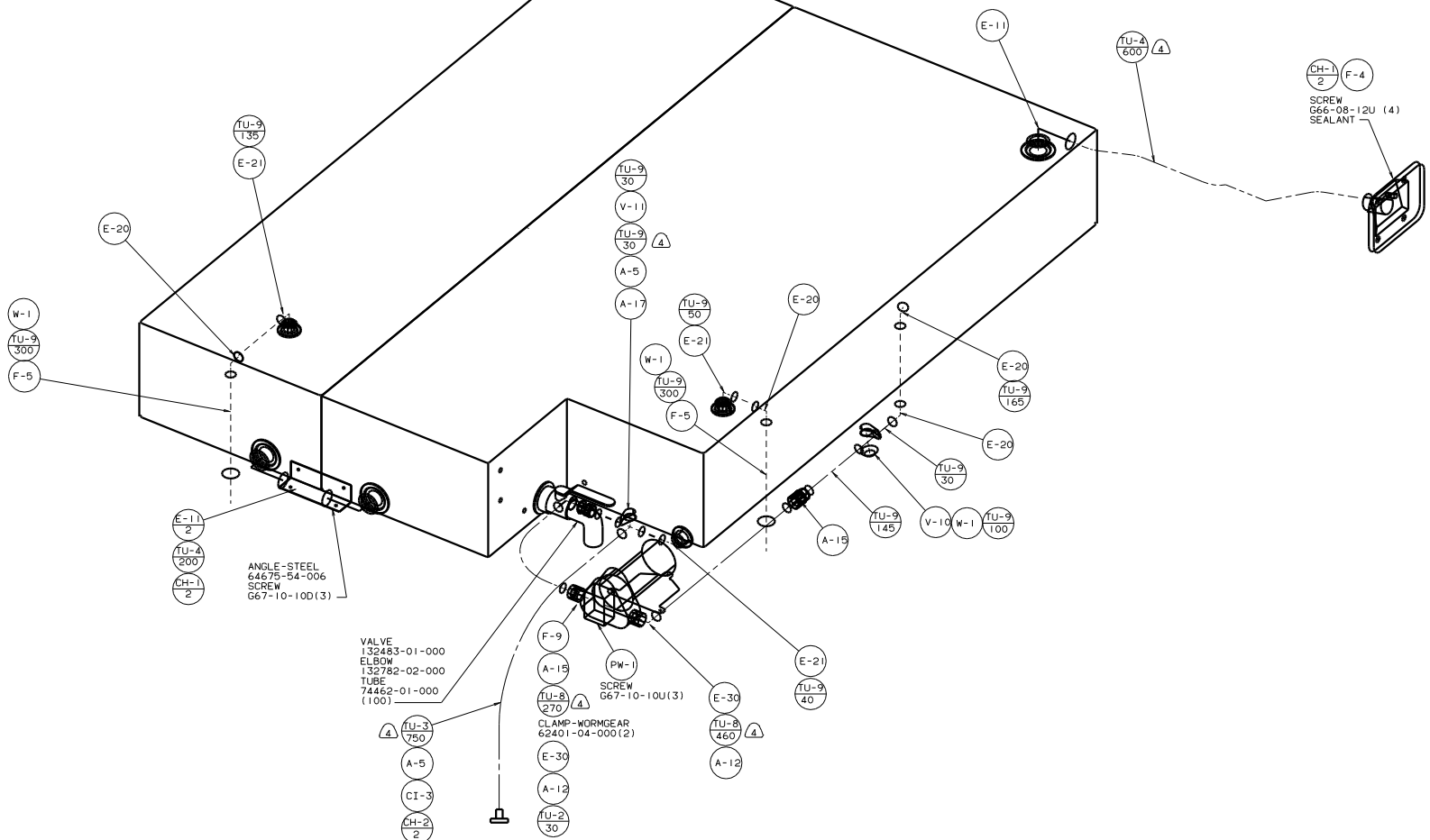


TO PUMP
 CUTOFF
 113147-01-XXX
 (418 X 90)
 SCREW
 G67-10-32B (2)
 PLYWOOD
 860-51-157
 (3/4-290X200)

DETAIL A

DETAIL D

TITLE: WATER SYSTEM INSTL	
30 1/2" SCALE DRAWING	1/16" Dia
SHEET 4 OF 5	133578



DETAIL E (16H)