

- 1. TUBING TO BE INSTALLED WITH SUFFICIENT SLOPE TO PROVIDE DRAINAGE TO NEAREST VALVE.
- 2. PLASTIC FITTING TO BE SEALED WITH SEALANT 84456-01-000.
- 3. ALL TUBING TO BE SECURED AT 1219 MAXIMUM SPACING WITH CLAMP 10495-01-000 AND SCREW 667-10-12B.
- 4. LOCATE CUTOUT TO SUPPORT WATER HEATER.

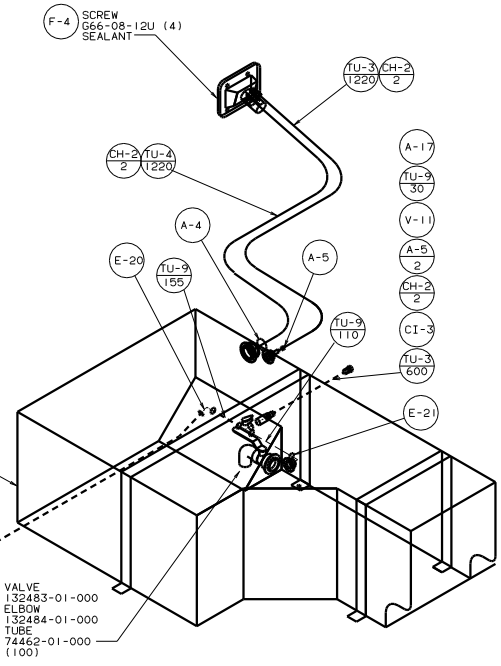
LEGEND	
HOT	----
COLD	----

FOR WATER CALLOUTS SEE DWG NO. 116230-01-000	
(X-X)	

WINNEAGO 00 F31B	
DATE	UNDESIGNED TOLERANCES ARE:
DATE	WHOLE DIM (IN) ± .1
DATE	ONE-PLACE (IN) ± .01
DATE	TWO-PLACE (IN) ± .005
DATE	MILS
DATE	INDIC. WHOLE PROJECTION
DATE	
DATE	

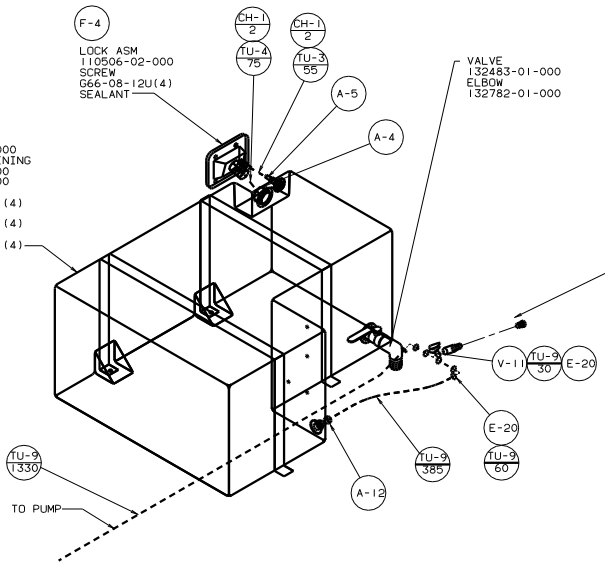
LAYOUT NO. 98F31W0	TITLE: WATER SYSTEM INSTL
SHEET 1 OF 2	REF: 129317 E 1

TANK-WATER
 125359-04-000
 STRAP-RETAINING
 54168-31-000
 54168-32-000
 BOLT
 C18-05-40A (4)
 WASHER
 E13-16-00B (4)
 NUT
 D34-06-00B (4)



DETAIL A
 49X BED-QUEEN

TANK-WATER
 121959-06-000
 STRAP-RETAINING
 54168-27-000
 54168-28-000
 BOLT
 C18-05-04A (4)
 WASHER
 E13-16-00B (4)
 NUT
 D34-06-00B (4)



DETAIL A
 45G BED-TWINS

