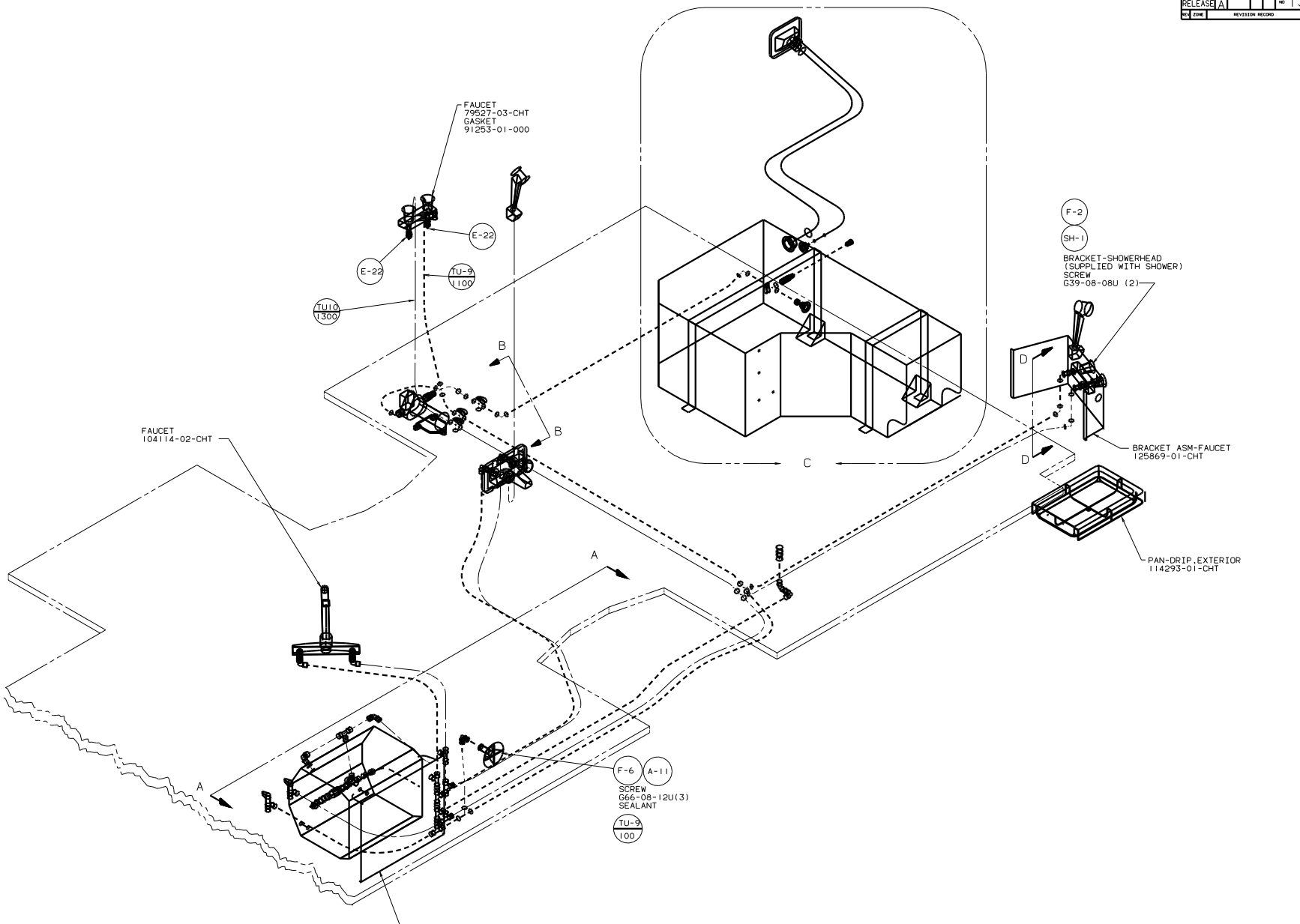


- 1. SLOPE OF HORIZONTAL PIPING TO BE 6 PER 305 MIN.
- 2. SLOPE OF TRAP ARM MUST BE 6 PER 305.
- 3. ALL PIPE AND FITTINGS TO BE ASSEMBLED WITH SOLVENT 4020-01-000.
- 4. ALL EXTERIOR OPENINGS AROUND PIPE TO BE SEALED WITH 69637-01-000.
- 5. EXPOSED PIPE ABOVE ROOF TO BE PAINTED 37163-01-000.
- 6. FOR CAN UNITS EACH HOLDING TANK SHALL HAVE A CSA APPROVAL STAMPED NEAR THE IAMPO APPROVAL.
- 7. SEAL ALL AROUND SHOWER WITH SILICONE 78474-01-CHT.
- 8. SEE DWG 61607-01-000 FOR INSTL OF GROMMET.
- 9. VENT PIPE MUST PROJECT 51 MM MIN AND 63.5 MM MAX ABOVE ROOF FOR PROPER FIT AND FUNCTION.
- 10. SECURE VENT TUBES TO FLOOR.
- 11. TRIM P-TRAP EXTENSION TO FIT.
- 12. SECURE PIPES TO CABINET USING WIRE TIE 108046-02-000 AND SCREW 667-10-120(8).

FOR DRAINAGE CALLOUTS SEE DWG NO. 116229-01-000

WINNEAGO		98 F29W0
DATE	UNDESIGNED TOLERANCES ARE:	MATERIAL
DATE	FRAMES (FR. 21)	
DATE	FRAMES (FR. 22)	
DATE	FRAMES (FR. 23)	
DATE	FRAMES (FR. 24)	
DATE	FRAMES (FR. 25)	
DATE	FRAMES (FR. 26)	
DATE	FRAMES (FR. 27)	
DATE	FRAMES (FR. 28)	
DATE	FRAMES (FR. 29)	
DATE	FRAMES (FR. 30)	
DATE	FRAMES (FR. 31)	
DATE	FRAMES (FR. 32)	
DATE	FRAMES (FR. 33)	
DATE	FRAMES (FR. 34)	
DATE	FRAMES (FR. 35)	
DATE	FRAMES (FR. 36)	
DATE	FRAMES (FR. 37)	
DATE	FRAMES (FR. 38)	
DATE	FRAMES (FR. 39)	
DATE	FRAMES (FR. 40)	
DATE	FRAMES (FR. 41)	
DATE	FRAMES (FR. 42)	
DATE	FRAMES (FR. 43)	
DATE	FRAMES (FR. 44)	
DATE	FRAMES (FR. 45)	
DATE	FRAMES (FR. 46)	
DATE	FRAMES (FR. 47)	
DATE	FRAMES (FR. 48)	
DATE	FRAMES (FR. 49)	
DATE	FRAMES (FR. 50)	
DATE	FRAMES (FR. 51)	
DATE	FRAMES (FR. 52)	
DATE	FRAMES (FR. 53)	
DATE	FRAMES (FR. 54)	
DATE	FRAMES (FR. 55)	
DATE	FRAMES (FR. 56)	
DATE	FRAMES (FR. 57)	
DATE	FRAMES (FR. 58)	
DATE	FRAMES (FR. 59)	
DATE	FRAMES (FR. 60)	
DATE	FRAMES (FR. 61)	
DATE	FRAMES (FR. 62)	
DATE	FRAMES (FR. 63)	
DATE	FRAMES (FR. 64)	
DATE	FRAMES (FR. 65)	
DATE	FRAMES (FR. 66)	
DATE	FRAMES (FR. 67)	
DATE	FRAMES (FR. 68)	
DATE	FRAMES (FR. 69)	
DATE	FRAMES (FR. 70)	
DATE	FRAMES (FR. 71)	
DATE	FRAMES (FR. 72)	
DATE	FRAMES (FR. 73)	
DATE	FRAMES (FR. 74)	
DATE	FRAMES (FR. 75)	
DATE	FRAMES (FR. 76)	
DATE	FRAMES (FR. 77)	
DATE	FRAMES (FR. 78)	
DATE	FRAMES (FR. 79)	
DATE	FRAMES (FR. 80)	
DATE	FRAMES (FR. 81)	
DATE	FRAMES (FR. 82)	
DATE	FRAMES (FR. 83)	
DATE	FRAMES (FR. 84)	
DATE	FRAMES (FR. 85)	
DATE	FRAMES (FR. 86)	
DATE	FRAMES (FR. 87)	
DATE	FRAMES (FR. 88)	
DATE	FRAMES (FR. 89)	
DATE	FRAMES (FR. 90)	
DATE	FRAMES (FR. 91)	
DATE	FRAMES (FR. 92)	
DATE	FRAMES (FR. 93)	
DATE	FRAMES (FR. 94)	
DATE	FRAMES (FR. 95)	
DATE	FRAMES (FR. 96)	
DATE	FRAMES (FR. 97)	
DATE	FRAMES (FR. 98)	
DATE	FRAMES (FR. 99)	
DATE	FRAMES (FR. 100)	



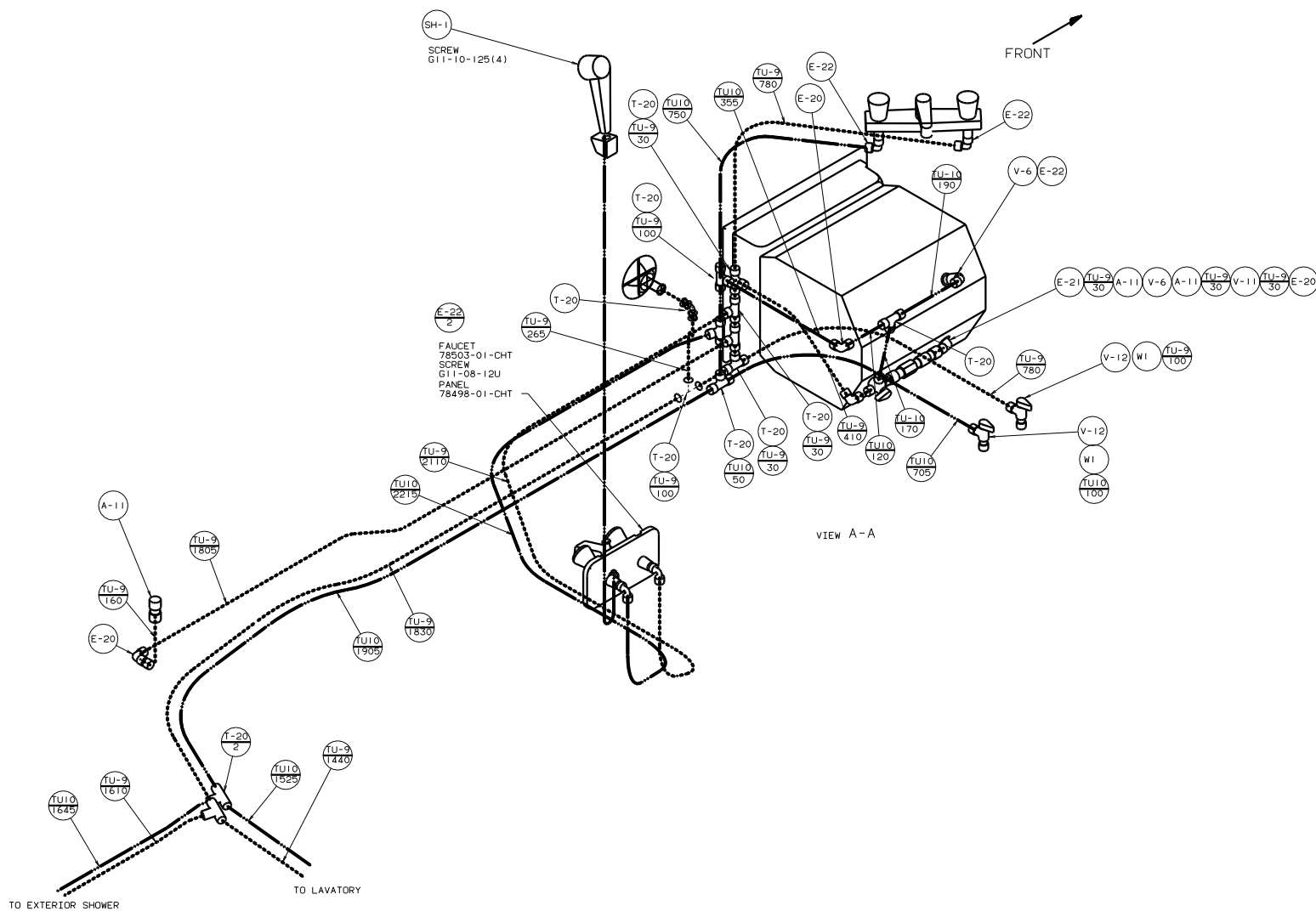
- NOTES:
1. TUBING TO BE INSTALLED WITH SUFFICIENT SLOPE TO PROVIDE DRAINAGE TO NEAREST VALVE.
 2. PLASTIC FITTINGS TO BE SEALED WITH SEALANT 84456-01-000.
 3. ALL TUBING TO BE SECURED AT 1219 MAXIMUM SPACING WITH CLAMP 10495-01-000 AND SCREW G67-10-12B.
 4. PRESSURE VALVE MUST BE BETWEEN THE WATER HEATER AND CHECK VALVE OR BYPASS KIT.

WATER HEATER
 51393-01-000
 DOOR
 78506-01-CHT
 EXIT
 2726-01-210
 2726-01-212(2)
 SCREW
 G39-10-1691(18)
 SEALANT

LEGEND	
HOT	●●●●●●●●
COLD	●●●●●●●●

FOR
 WATER
 CALLOUTS
 SEE DWG NO.
 116230-01-000

WINNEBAGO		00 F29A
DATE	ISSUED	TOLERANCES ARE:
DATE	DATE	UNLESS SHOWN OTHERWISE
DATE	DATE	2ND PLACE (11.00)
DATE	DATE	3RD PLACE (11.00)
DATE	DATE	4TH PLACE (11.00)
DATE	DATE	5TH PLACE (11.00)
DATE	DATE	6TH PLACE (11.00)
DATE	DATE	7TH PLACE (11.00)
DATE	DATE	8TH PLACE (11.00)
DATE	DATE	9TH PLACE (11.00)
DATE	DATE	10TH PLACE (11.00)
DATE	DATE	11TH PLACE (11.00)
DATE	DATE	12TH PLACE (11.00)
DATE	DATE	13TH PLACE (11.00)
DATE	DATE	14TH PLACE (11.00)
DATE	DATE	15TH PLACE (11.00)
DATE	DATE	16TH PLACE (11.00)
DATE	DATE	17TH PLACE (11.00)
DATE	DATE	18TH PLACE (11.00)
DATE	DATE	19TH PLACE (11.00)
DATE	DATE	20TH PLACE (11.00)
DATE	DATE	21ST PLACE (11.00)
DATE	DATE	22ND PLACE (11.00)
DATE	DATE	23RD PLACE (11.00)
DATE	DATE	24TH PLACE (11.00)
DATE	DATE	25TH PLACE (11.00)
DATE	DATE	26TH PLACE (11.00)
DATE	DATE	27TH PLACE (11.00)
DATE	DATE	28TH PLACE (11.00)
DATE	DATE	29TH PLACE (11.00)
DATE	DATE	30TH PLACE (11.00)
DATE	DATE	31ST PLACE (11.00)
DATE	DATE	32ND PLACE (11.00)
DATE	DATE	33RD PLACE (11.00)
DATE	DATE	34TH PLACE (11.00)
DATE	DATE	35TH PLACE (11.00)
DATE	DATE	36TH PLACE (11.00)
DATE	DATE	37TH PLACE (11.00)
DATE	DATE	38TH PLACE (11.00)
DATE	DATE	39TH PLACE (11.00)
DATE	DATE	40TH PLACE (11.00)
DATE	DATE	41ST PLACE (11.00)
DATE	DATE	42ND PLACE (11.00)
DATE	DATE	43RD PLACE (11.00)
DATE	DATE	44TH PLACE (11.00)
DATE	DATE	45TH PLACE (11.00)
DATE	DATE	46TH PLACE (11.00)
DATE	DATE	47TH PLACE (11.00)
DATE	DATE	48TH PLACE (11.00)
DATE	DATE	49TH PLACE (11.00)
DATE	DATE	50TH PLACE (11.00)
DATE	DATE	51ST PLACE (11.00)
DATE	DATE	52ND PLACE (11.00)
DATE	DATE	53RD PLACE (11.00)
DATE	DATE	54TH PLACE (11.00)
DATE	DATE	55TH PLACE (11.00)
DATE	DATE	56TH PLACE (11.00)
DATE	DATE	57TH PLACE (11.00)
DATE	DATE	58TH PLACE (11.00)
DATE	DATE	59TH PLACE (11.00)
DATE	DATE	60TH PLACE (11.00)
DATE	DATE	61ST PLACE (11.00)
DATE	DATE	62ND PLACE (11.00)
DATE	DATE	63RD PLACE (11.00)
DATE	DATE	64TH PLACE (11.00)
DATE	DATE	65TH PLACE (11.00)
DATE	DATE	66TH PLACE (11.00)
DATE	DATE	67TH PLACE (11.00)
DATE	DATE	68TH PLACE (11.00)
DATE	DATE	69TH PLACE (11.00)
DATE	DATE	70TH PLACE (11.00)
DATE	DATE	71ST PLACE (11.00)
DATE	DATE	72ND PLACE (11.00)
DATE	DATE	73RD PLACE (11.00)
DATE	DATE	74TH PLACE (11.00)
DATE	DATE	75TH PLACE (11.00)
DATE	DATE	76TH PLACE (11.00)
DATE	DATE	77TH PLACE (11.00)
DATE	DATE	78TH PLACE (11.00)
DATE	DATE	79TH PLACE (11.00)
DATE	DATE	80TH PLACE (11.00)
DATE	DATE	81ST PLACE (11.00)
DATE	DATE	82ND PLACE (11.00)
DATE	DATE	83RD PLACE (11.00)
DATE	DATE	84TH PLACE (11.00)
DATE	DATE	85TH PLACE (11.00)
DATE	DATE	86TH PLACE (11.00)
DATE	DATE	87TH PLACE (11.00)
DATE	DATE	88TH PLACE (11.00)
DATE	DATE	89TH PLACE (11.00)
DATE	DATE	90TH PLACE (11.00)
DATE	DATE	91ST PLACE (11.00)
DATE	DATE	92ND PLACE (11.00)
DATE	DATE	93RD PLACE (11.00)
DATE	DATE	94TH PLACE (11.00)
DATE	DATE	95TH PLACE (11.00)
DATE	DATE	96TH PLACE (11.00)
DATE	DATE	97TH PLACE (11.00)
DATE	DATE	98TH PLACE (11.00)
DATE	DATE	99TH PLACE (11.00)
DATE	DATE	100TH PLACE (11.00)



00 F29A

TITLE: WATER SYSTEM INSTL	
NO. OF SHEETS: 3	NO. OF SHEETS: 3
SHEET 2 OF 3	132666

