

SINK-SST_DOUBLE
 104113-01-000(US/CAN)
 RETAINER
 105497-01-000(2)
 SCREW
 105497-02-000(2)
 SCREW
 G67-06-10U(8)
 STRAINER W/BASKET
 92303-01-000(2)
 SEAL
 91255-02-000(A/R)

SHOWER SURROUND
 104464-03-CHT
 SHOWER ENCLOSURE INSTL
 104466-01-000
 TAILPIECE
 11069-02-000
 WASHER
 127440-02-CHT
 NUT
 130403-01-000
 STRAINER-TUB, SHOWER DRAIN
 66729-01-000
 SEALANT

SINK-LAVATORY
 105921-01-CHT
 SPACER-SINK
 105218-01-CHT
 STRAINER ASM
 106116-01-CHT
 SEAL
 91255-02-000(A/R)

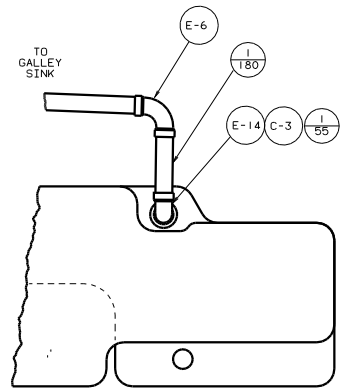
CLAMP
 62401-05-000(3)
 BRACKET
 95061-01-000(6)
 SCREW
 G67-10-12B(6)

FRONT AXLE

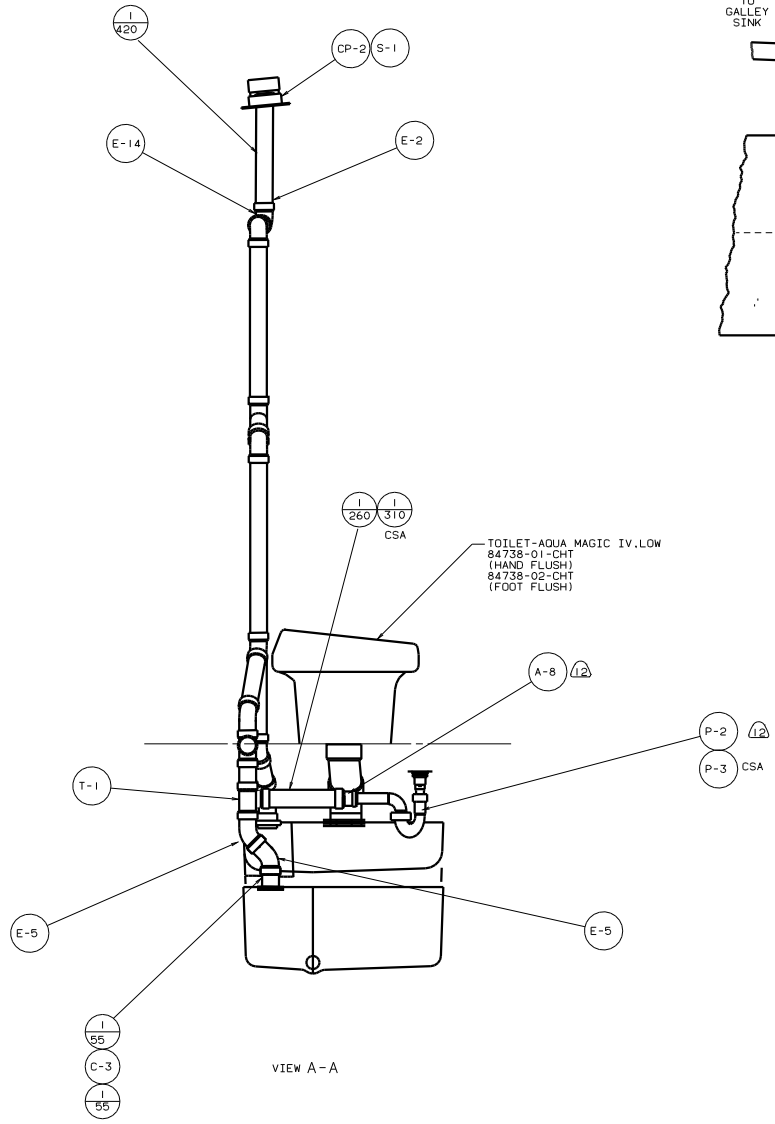
- 1. SLOPE OF HORIZONTAL PIPING TO BE 6 PER 305 MM.
- 2. SLOPE OF TRAP ARM MUST BE 6 PER 305.
- 3. ALL PIPE AND FITTINGS TO BE ASSEMBLED WITH SOLVENT 4020-01-000.
- 4. ALL EXTERIOR OPENINGS AROUND PIPE TO BE SEALED WITH 110744-01-000.
- 5. EXPOSED PIPE ABOVE ROOF TO BE PAINTED 37163-01-000.
- 6. FOR CAN UNITS EACH HOLDING TANK SHALL HAVE A CSA APPROVAL STAMPED NEAR THE IAMPO APPROVAL.
- 7. SEAL ALL AROUND SHOWER WITH SILICONE.
- 8. SEE DWG 61607-01-000 FOR INSTL OF GROMMETS.
- 9. VENT PIPE MUST PROJECT 51 MM MIN AND 63.5 MM MAX ABOVE ROOF FOR PROPER FIT AND FUNCTION.
- 10 SECURE VENT TUBES TO FLOOR.
- 11 TRIM P-TRAP EXTENSION TO FIT.
- 12 NOT USED ON CANADIAN UNITS.
- 13 SECURE PIPES TO CABINET USING WIRE TIE 108046-02-000 AND SCREW G67-10-12U(8).

(X-X) FOR DRAINAGE CALLOUTS SEE DWG NO. 116229-01-000

		98 F26WU
QTY	DATE	UNSPECIFIED TOLERANCES ARE:
CHD	DATE	WHOLE DIM (M) .1
DTE	DATE	ONE-PLACE (M, H) .1
H E	DATE	THREE-PLACE (M, H, S) .01
	DATE	ANGLE
	DATE	ROUND UNITS
	DATE	PROJECTION
PART: F26WU NO.		TITLE: DRAINAGE SYSTEM INSTL
10: # SCALE: NONE ALL DIMENSIONS ARE IN MILLIMETERS	20: 1 OF 2 SHEET	30: NO. 127759 REV. NO.

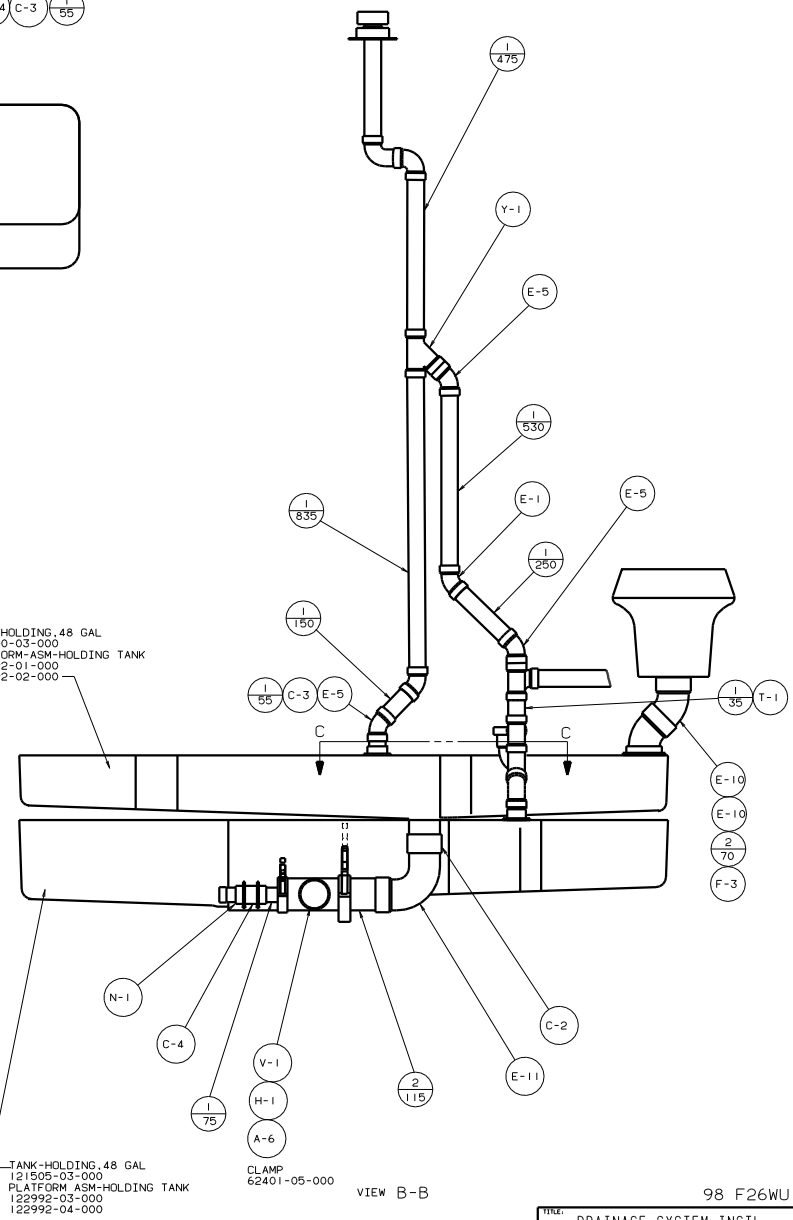


VIEW C-C



VIEW A-A

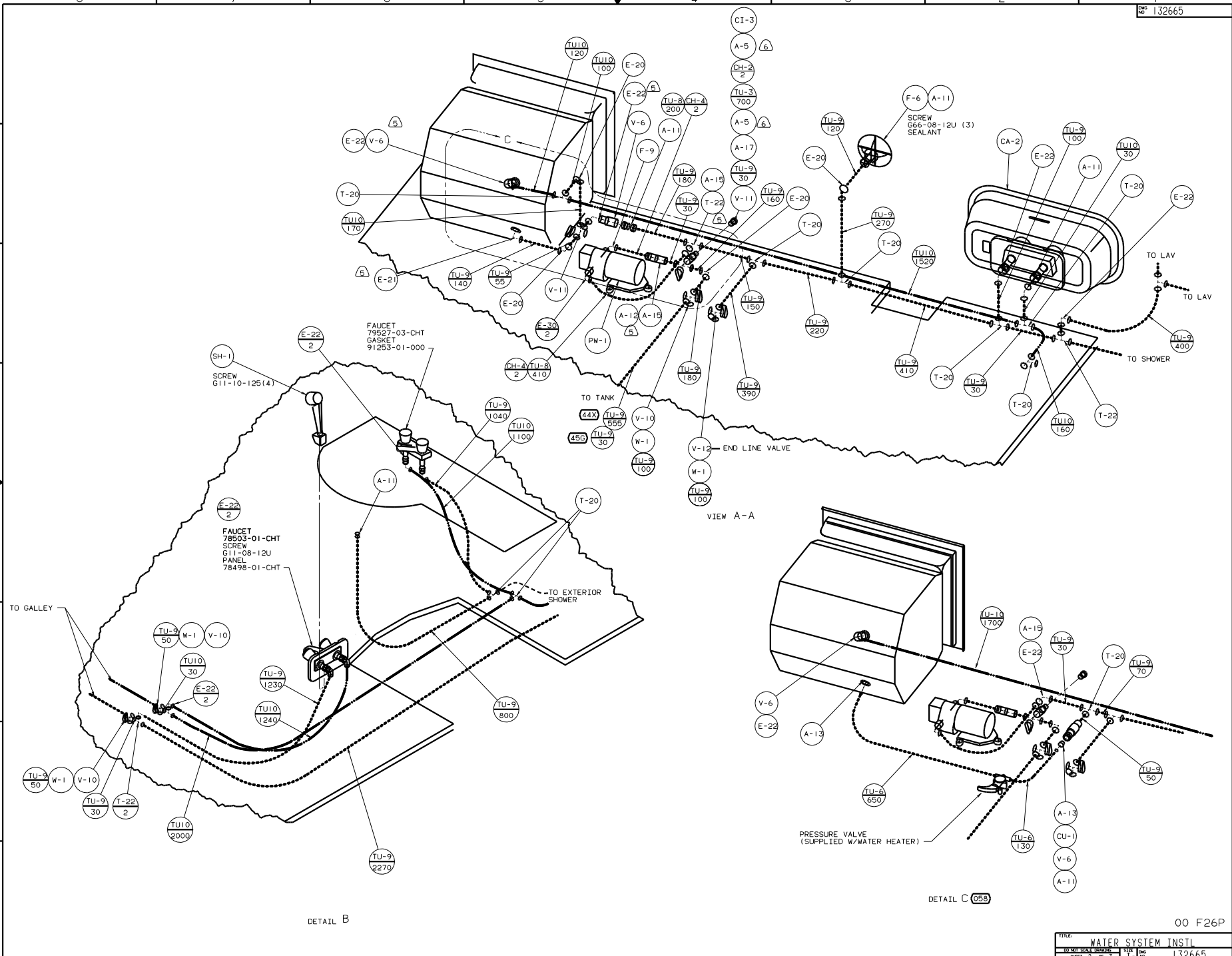
TANK-HOLDING, 48 GAL
 121500-03-000
 PLATFORM-ASM-HOLDING TANK
 122992-01-000
 122992-02-000



VIEW B-B

TANK-HOLDING, 48 GAL
 121505-03-000
 PLATFORM-ASM-HOLDING TANK
 122992-03-000
 122992-04-000

TITLE: DRAINAGE SYSTEM INSTL		98 F26WU	
NO. OF SHEETS	2 OF 2	REV.	1
DRAWING NO. 127759			



DETAIL B

VIEW A-A

DETAIL C (058)

TITLE		WATER SYSTEM INSTL	
NO	REV	DATE	BY
1	1		
SHEET 2 OF 3		132665	

- TANK-WATER
121959-08-000
- STRAP-RETAINING
54168-33-000
- BOLT
C18-05-40A (2)
- WASHER
E13-16-00B (4)
- NUT
D34-06-00B (2)
- ELBOW
132484-01-000

- F-4
- LOCK ASM
110506-02-000
- SCREW
G66-08-12U (4)
- SEALANT

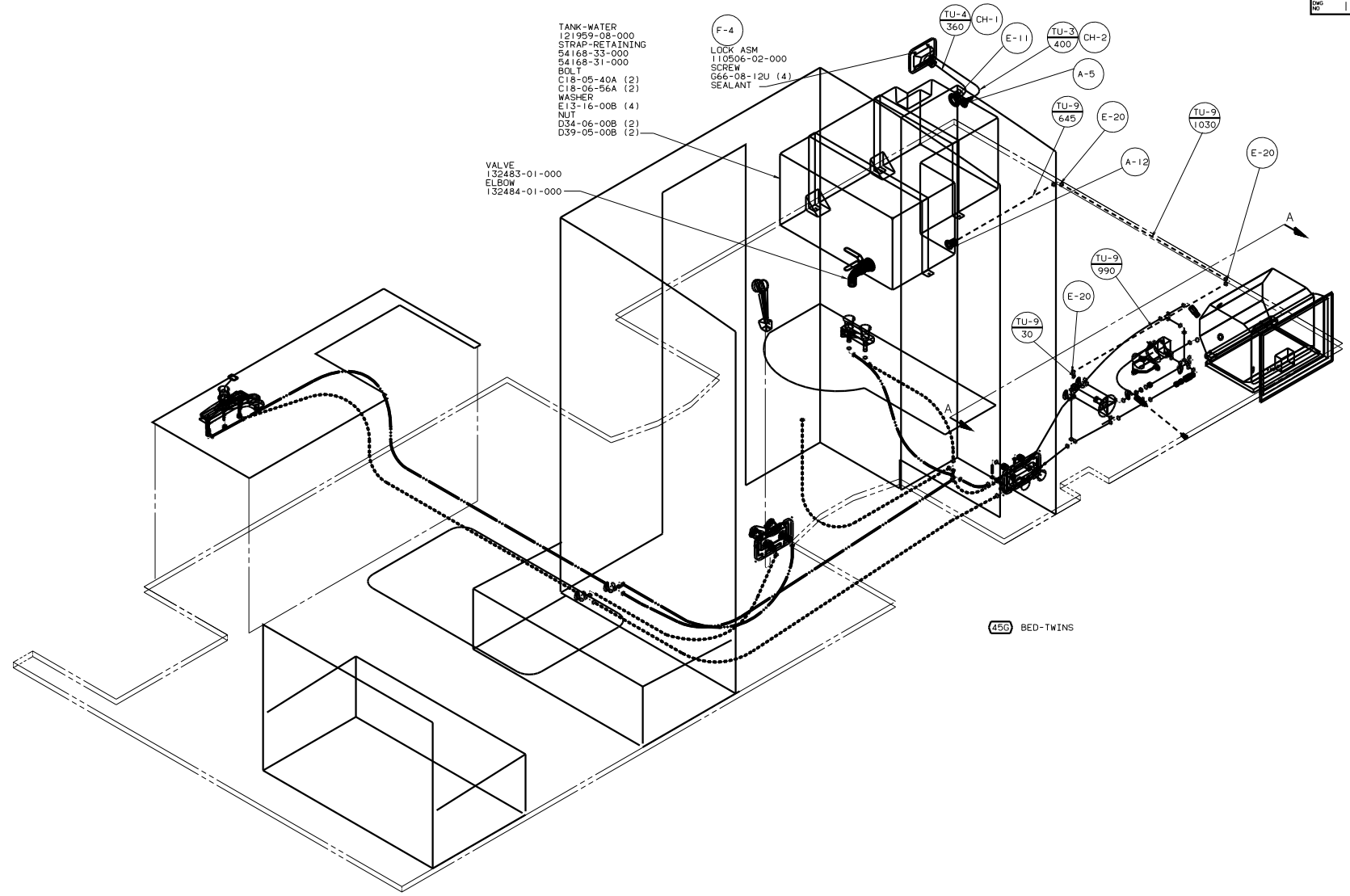
- TU-2
360
- CH-1
- E-11
- TU-3
400
- CH-2
- A-5

- TU-9
645
- E-20
- A-12
- TU-9
1030
- E-20

- TU-9
990
- E-20
- TU-9
30

- VALVE
132483-01-000
- ELBOW
132484-01-000

45G BED-TWINS



00 F26P

TITLE	WATER SYSTEM INSTL	
NO. OF SHEETS	3	OF 3
REV	1	DATE
		132665